

Owner's Manual/Manual Del Propietario

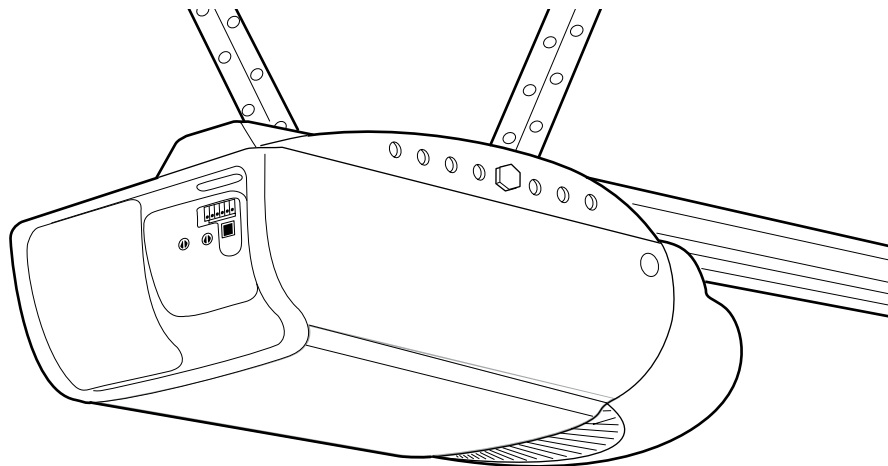


1/2 HP

**GARAGE DOOR OPENER
ABRIDOR DE PUERTA DE COCHERA**

For Residential Use Only/Sólo para uso residencial

Model/Modelo 139.53992



ENGLISH ESPAÑOL

Read and follow all safety rules and operating instructions before first use of this product.

Lea y siga todas las reglas de seguridad y las instrucciones de operación antes de usar este producto por primera vez.

Fasten the manual near the garage door after installation.

Guarde este manual cerca de la puerta de la cochera.

Periodic checks of the opener are required to ensure safe operation.

Se deben realizar revisiones periódicas del abridor de puertas para asegurar su operación segura.



Sears, Roebuck and Co., Hoffman Estates, IL 60179 U.S.A
www.sears.com/craftsman

TABLE OF CONTENTS

| | | | |
|---|--------------|--|-------------------|
| Introduction | 2-7 | Adjustment Section | 28-30 |
| Safety symbol and signal word review | 2 | Adjust the travel limits | 28 |
| Preparing your garage door | 3 | Adjust the force | 29 |
| Tools needed | 3 | Test the safety reversing sensor..... | 30 |
| Planning | 4-5 | Test the safety reverse system..... | 30 |
| Carton inventory | 6 | Operation | 31-34 |
| Hardware inventory | 7 | Operation safety instructions..... | 31 |
| Assembly | 8-11 | Using your garage door opener | 31 |
| Assemble the rail..... | 8-9 | Using the wall-mounted Door Control | 32 |
| Fasten rail to motor unit and install trolley | 10 | To open the door manually..... | 32 |
| Attach rail brackets | 11 | Care of your garage door opener..... | 33 |
| Installation | 11-27 | Having a problem? | 34 |
| Installation safety instructions | 11 | Programming | 35-36 |
| Determine the header bracket location | 12-13 | To add a hand-held remote control | 35 |
| Install the header bracket..... | 14 | To erase all codes | 35 |
| Attach the rail to the header bracket | 15 | Multi-Function Remotes | 35 |
| Install the safety reversing sensor..... | 16-18 | To add or change a Keyless Entry PIN | 36 |
| Position the opener | 19 | Repair Parts | 37-38 |
| Hang the opener | 20 | Rail assembly parts..... | 37 |
| Install the door control and connect wiring | 21 | Installation parts | 37 |
| Electrical requirements..... | 22 | Motor unit assembly parts | 38 |
| Complete the sensor installation..... | 22 | Accessories | 39 |
| Install the lights and lens..... | 23 | Warranty | 39 |
| Attach the emergency release rope and handle | 23 | Service Numbers | Back cover |
| Fasten the door bracket | 24-25 | | |
| Connect door arm to trolley | 26-27 | | |

INTRODUCTION

Safety Symbol and Signal Word Review

This garage door opener has been designed and tested to offer safe service provided it is installed, operated, maintained and tested in strict accordance with the instructions and warnings contained in this manual.

⚠ WARNING

Mechanical

⚡ WARNING

Electrical

CAUTION

When you see these Safety Symbols and Signal Words on the following pages, they will alert you to the possibility of **serious injury or death** if you do not comply with the warnings that accompany them. The hazard may come from something mechanical or from electric shock. Read the warnings carefully.

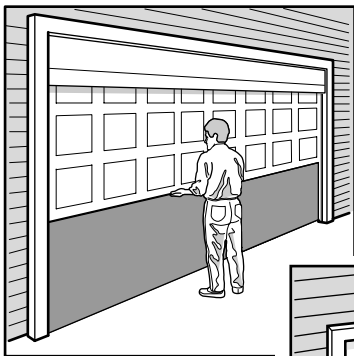
When you see this Signal Word on the following pages, it will alert you to the possibility of damage to your garage door and/or the garage door opener if you do not comply with the cautionary statements that accompany it. Read them carefully.

Preparing your garage door

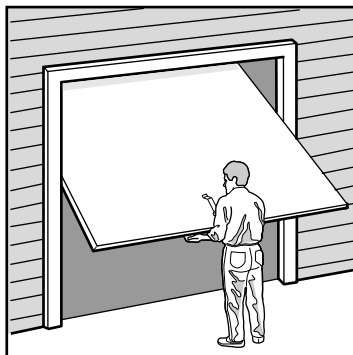
Before you begin:

- Disable locks.
- Remove any ropes connected to garage door.
- **Complete the following test** to make sure your garage door is balanced and is not sticking or binding:
 1. Lift the door about halfway as shown. Release the door. If balanced, it should stay in place, supported entirely by its springs.
 2. Raise and lower the door to see if there is any binding or sticking.

If your door binds, sticks, or is out of balance, call a trained door systems technician.



Sectional Door



One-Piece Door

⚠ WARNING

To prevent possible **SERIOUS INJURY OR DEATH**:

- **ALWAYS** call a trained door systems technician if garage door binds, sticks, or is out of balance. An unbalanced garage door may not reverse when required.
- **NEVER** try to loosen, move or adjust garage door, door springs, cables, pulleys, brackets or their hardware, all of which are under **EXTREME** tension.
- Disable **ALL** locks and remove **ALL** ropes connected to garage door **BEFORE** installing and operating garage door opener to avoid entanglement.

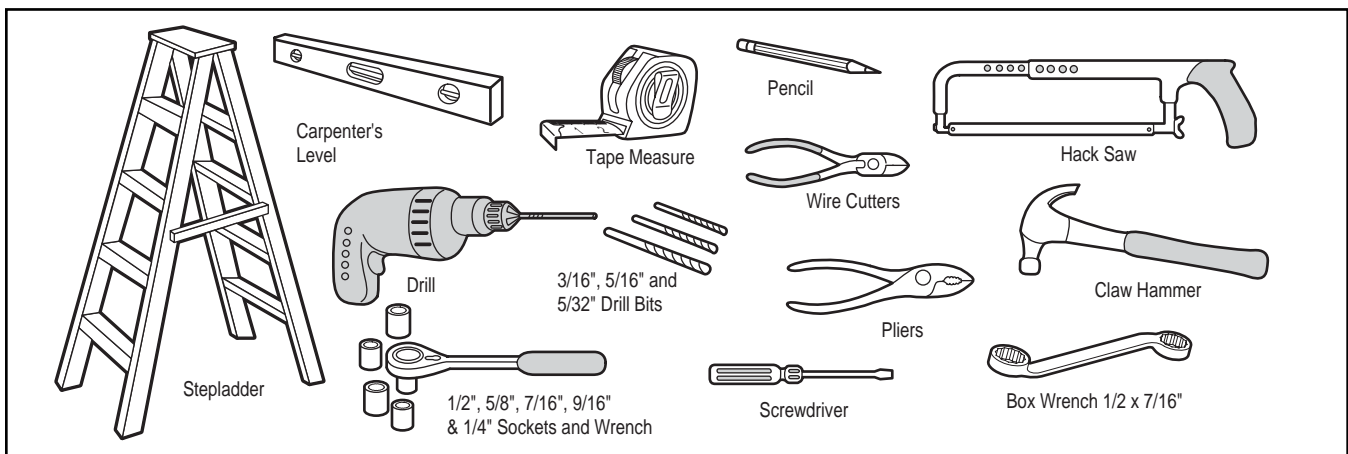
CAUTION

To prevent damage to garage door and opener:

- **ALWAYS** disable locks **BEFORE** installing and operating the opener.
- **ONLY** operate garage door opener at 120V, 60 Hz to avoid malfunction and damage.

Tools needed

During assembly, installation and adjustment of the opener, instructions will call for hand tools as illustrated below.



Planning

Identify the type and height of your garage door. Survey your garage area to see if any of the conditions below apply to your installation. Additional materials may be required. You may find it helpful to refer back to this page and the accompanying illustrations as you proceed with the installation of your opener.

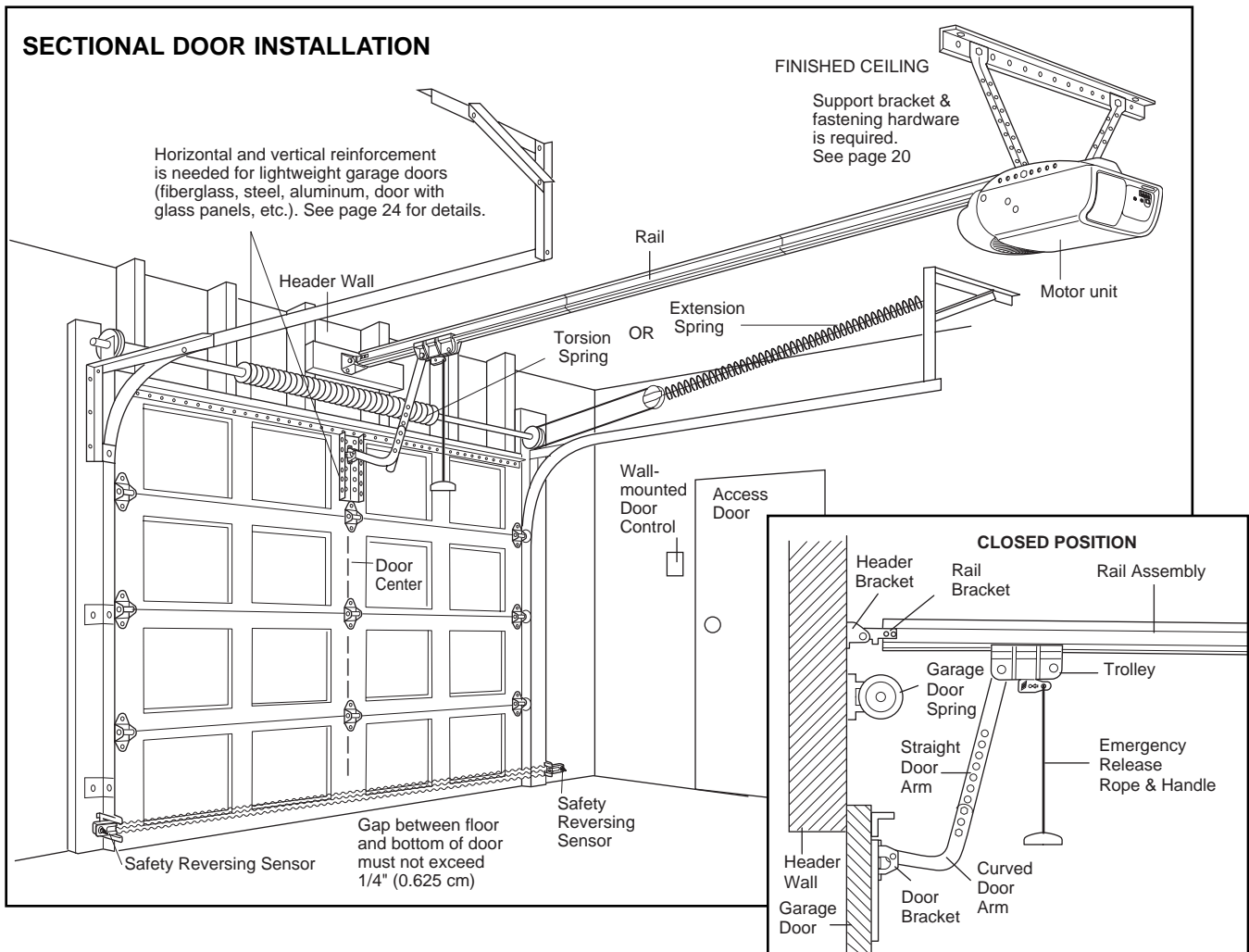
Depending on your requirements, there are several installation steps which may call for materials or hardware not included in the carton.

- Installation Step 1 – Look at the wall or ceiling above the garage door. The header bracket must be securely fastened to structural supports.
- Installation Step 6 – Do you have a finished ceiling in your garage? If so, a support bracket and additional fastening hardware may be required.
- Installation Step 4 – Depending upon garage construction, extension brackets or wood blocks may be needed to install sensors.
- Installation Step 4 – Alternate floor mounting of the safety reversing sensor will require hardware not provided.

- Do you have an access door in addition to the garage door? If not, Model 53702 Emergency Key Release is required. See Accessories page.
- Look at the garage door where it meets the floor. Any gap between the floor and the bottom of the door must not exceed 1/4" (0.625 cm). Otherwise, the safety reversal system may not work properly. See Adjustment Step 3. Floor or door should be repaired.

SECTIONAL DOOR INSTALLATIONS

- Do you have a steel, aluminum, fiberglass or glass panel door? If so, horizontal and vertical reinforcement is required (Installation Step 12).
- The opener should be installed above the center of the door. If there is a torsion spring or center bearing plate in the way of the header bracket, it may be installed within 4 feet (1.20 m) to the left or right of the door center. See Installation Steps 1 and 12.
- If your door is more than 7 feet (2.10 m) high, see rail extension kits listed on Accessories page.



Planning (Continued)

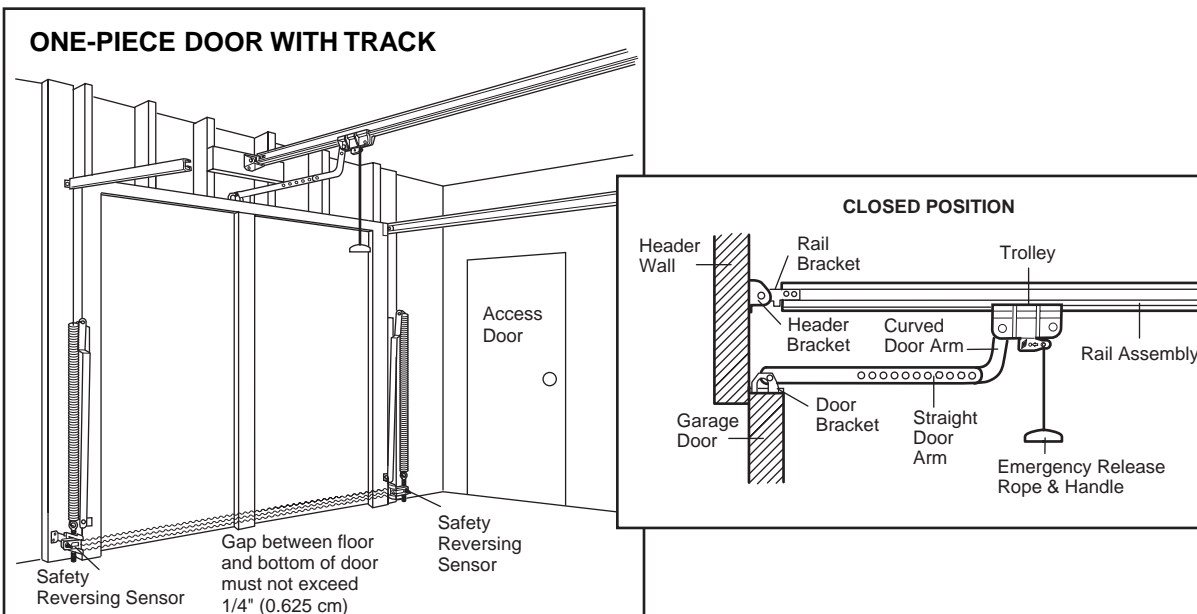
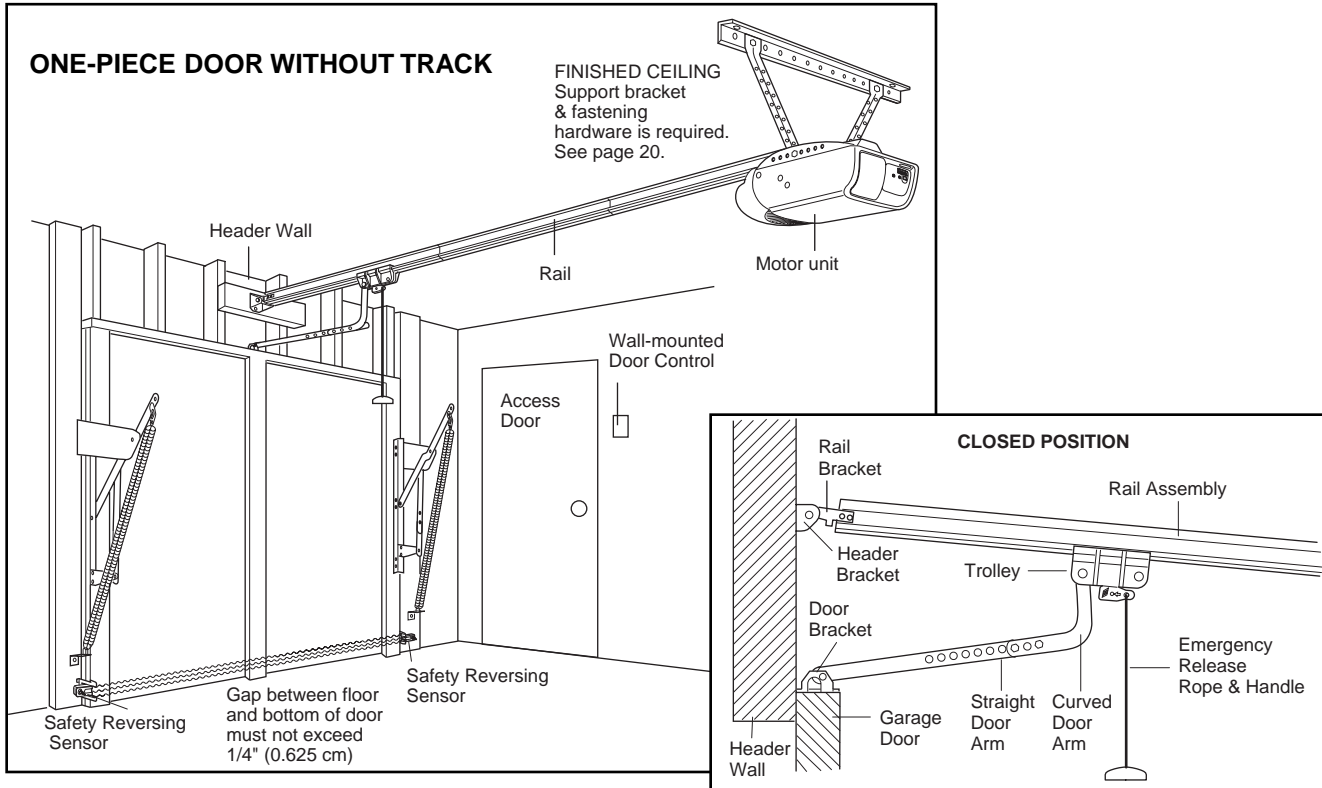
ONE-PIECE DOOR INSTALLATIONS

- Generally, a one-piece door does not require reinforcement. If your door is lightweight, refer to the information relating to sectional doors in Installation Step 12.
- Depending on your door's construction, you may need additional mounting hardware for the door bracket (Step 12).

⚠ WARNING

Without a properly working safety reversal system, persons (particularly small children) could be SERIOUSLY INJURED or KILLED by a closing garage door.

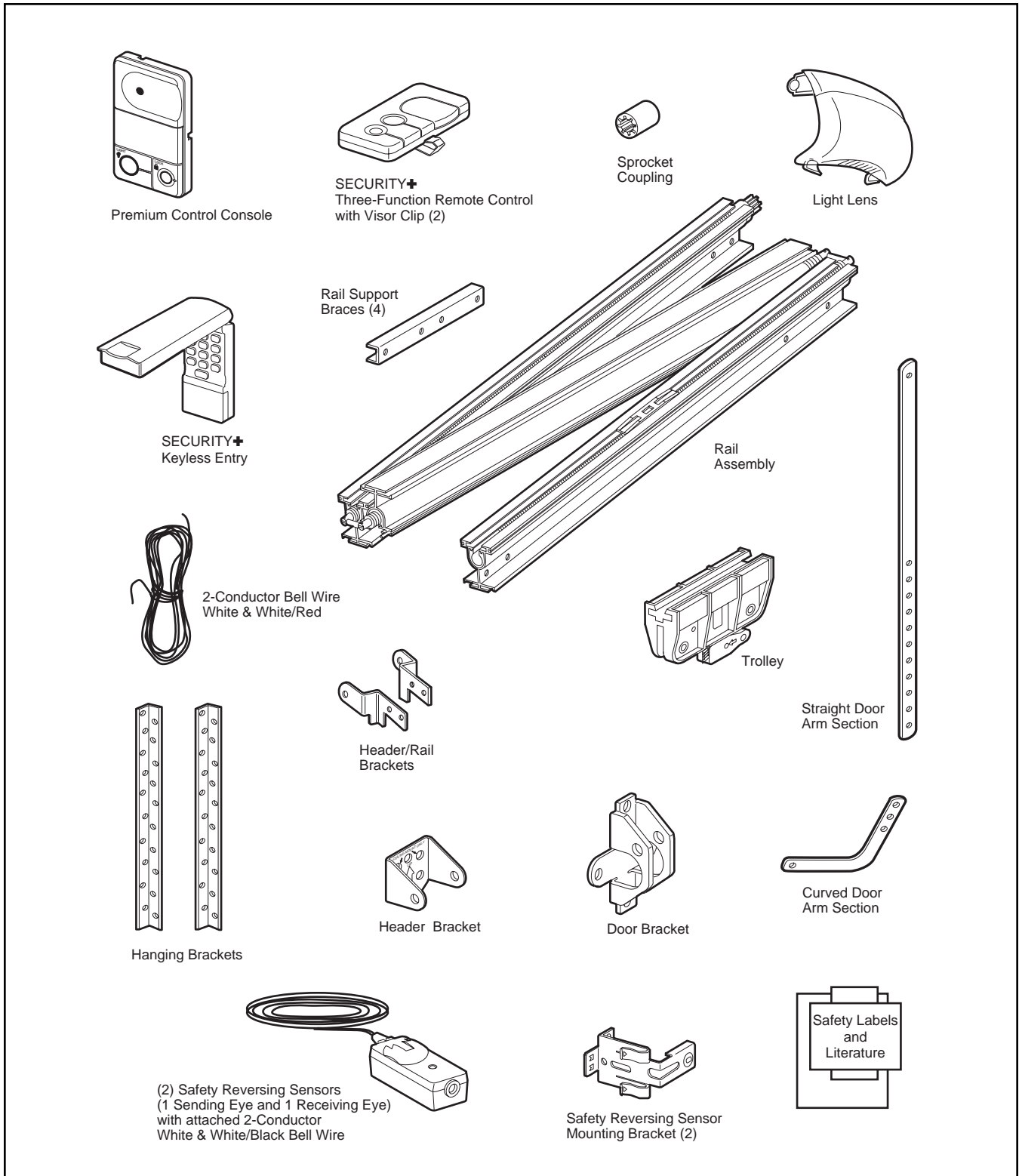
- The gap between the bottom of the garage door and the floor MUST NOT exceed 1/4" (0.625 cm). Otherwise, the safety reversal system may not work properly.
- The floor or the garage door MUST be repaired to eliminate the gap.



Carton Inventory

Your garage door opener is packaged in one carton which contains the motor unit and the parts illustrated below. Note that accessories will depend on the model purchased. If anything is missing, carefully check the packing material. Parts may be stuck in the

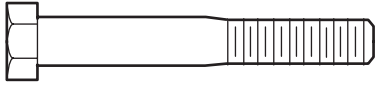
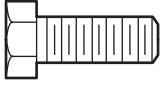

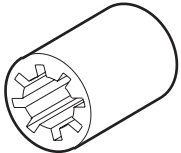
foam. KEEP THE FOAM INTACT (see page 10.) Hardware for assembly and installation is shown on the next page. Save the carton and packing material until installation and adjustment is complete.



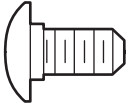




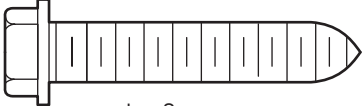
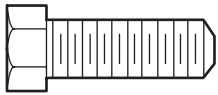




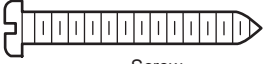
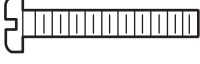
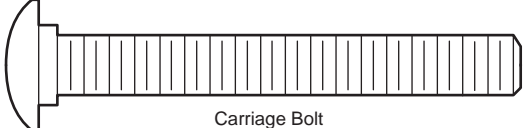
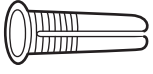
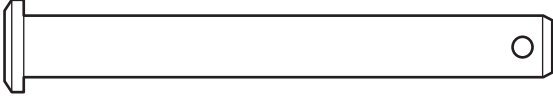
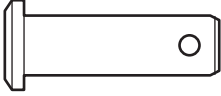
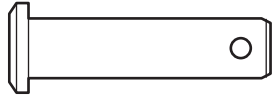
Hardware Inventory

Separate all hardware and group as shown below for the assembly and installation procedures.

ASSEMBLY HARDWARE

| | | | |
|---|---|--|---|
|  |  |  |  |
| Bolt 1/4"-20x1-3/4" (8) | Hex Bolt 1/4" - 20 x 5/8" (4) | Lock Nut 1/4"-20 x 7/16 (12) | Sprocket Coupling Sleeve |

INSTALLATION HARDWARE

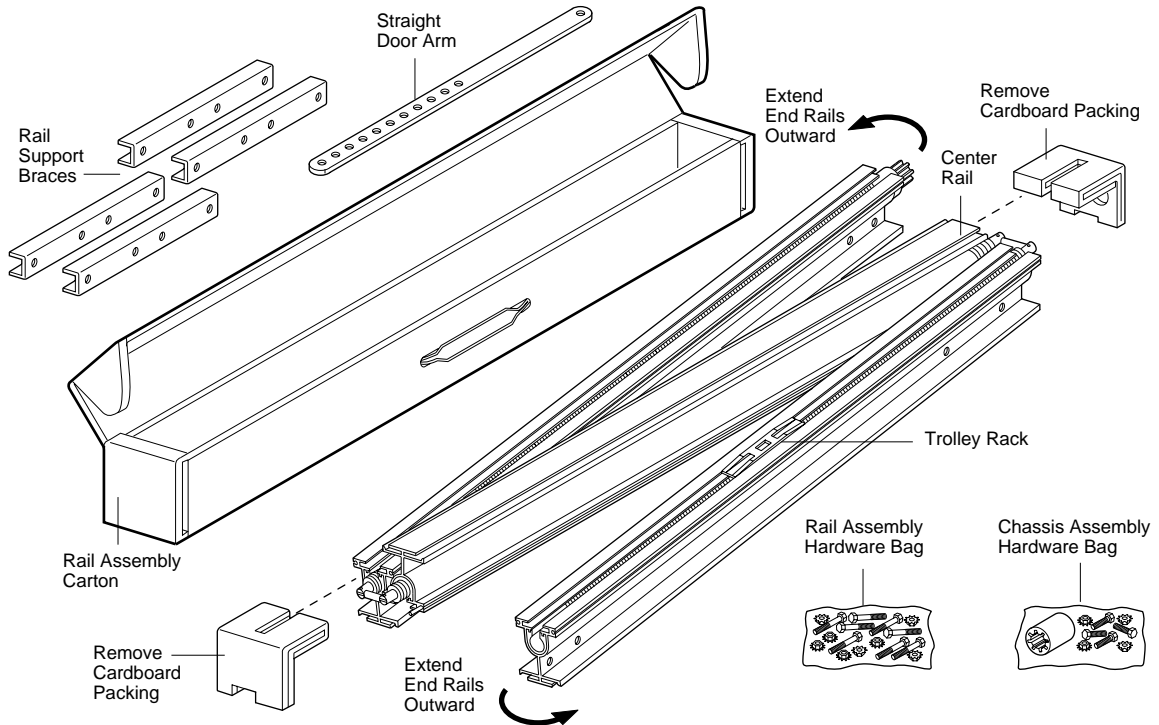
| | | | | |
|---|--|---|---|---|
|  |  |  |  |  |
| Carriage Bolt 1/4"-20x1/2" (2) | Wing Nut 1/4"-20 (2) | Ring Fastener (3) | Nut 5/16"-18 (6) | Handle |
|  |  |  |  |  |
| Lag Screw 5/16"-9x1-5/8" (2) | Hex Bolt 5/16"-18x7/8" (4) | Lock Washer 5/16" (6) | Insulated Staples (30) | Rope |
|  |  |  | | |
| Lag Screw 5/16"-18x1-7/8" (2) | Screw 6ABx1-1/4" (2) | Screw 6-32x1" (2) | | |
|  |  | | | |
| Carriage Bolt 5/16"-18x2-1/2" (2) | Dry Wall Anchors (2) | | | |
|  |  |  | | |
| Clevis Pin 5/16"x2-3/4" (1) | Clevis Pin 5/16"x1" (1) | Clevis Pin 5/16"x1-1/4" (1) | | |

ASSEMBLY STEP 1

Assemble the Rail

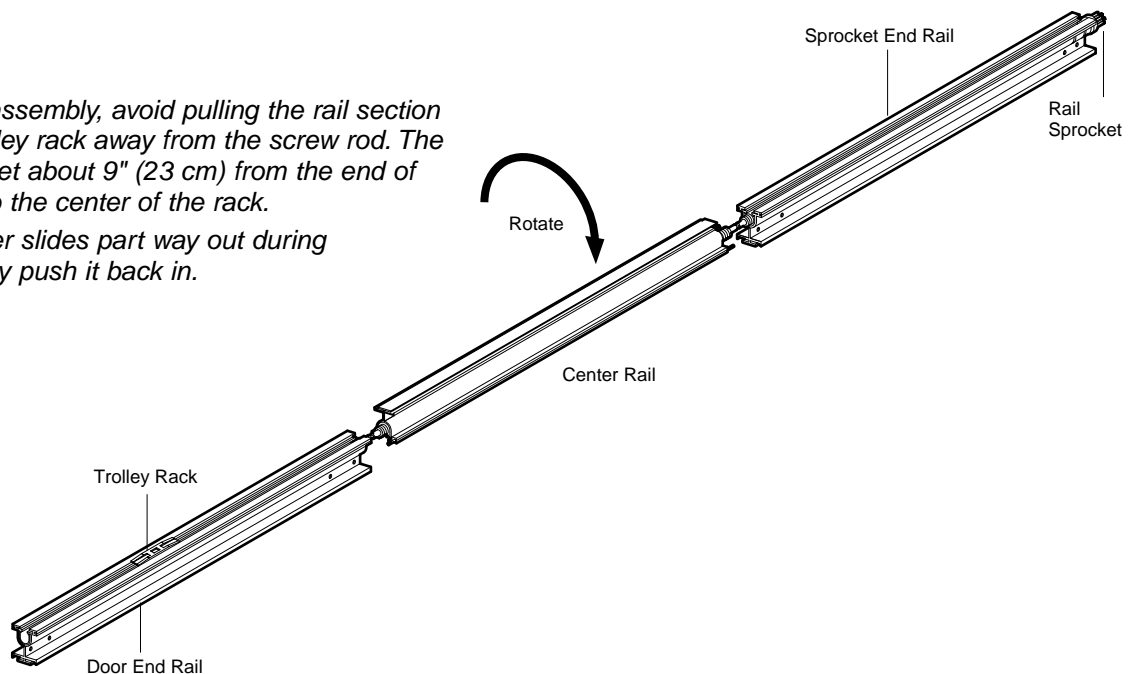
To avoid installation difficulties, do not run the garage door opener until instructed to do so.

1. Turn the opened rail carton upside down and empty its contents onto a level work surface.
2. Unfold the rails, taking care to avoid kinking the screw rod joints.
3. Rotate the rail sections so that the flat side is down and the screw side is up for all three lengths. Keep it clean and free of debris while you are working.



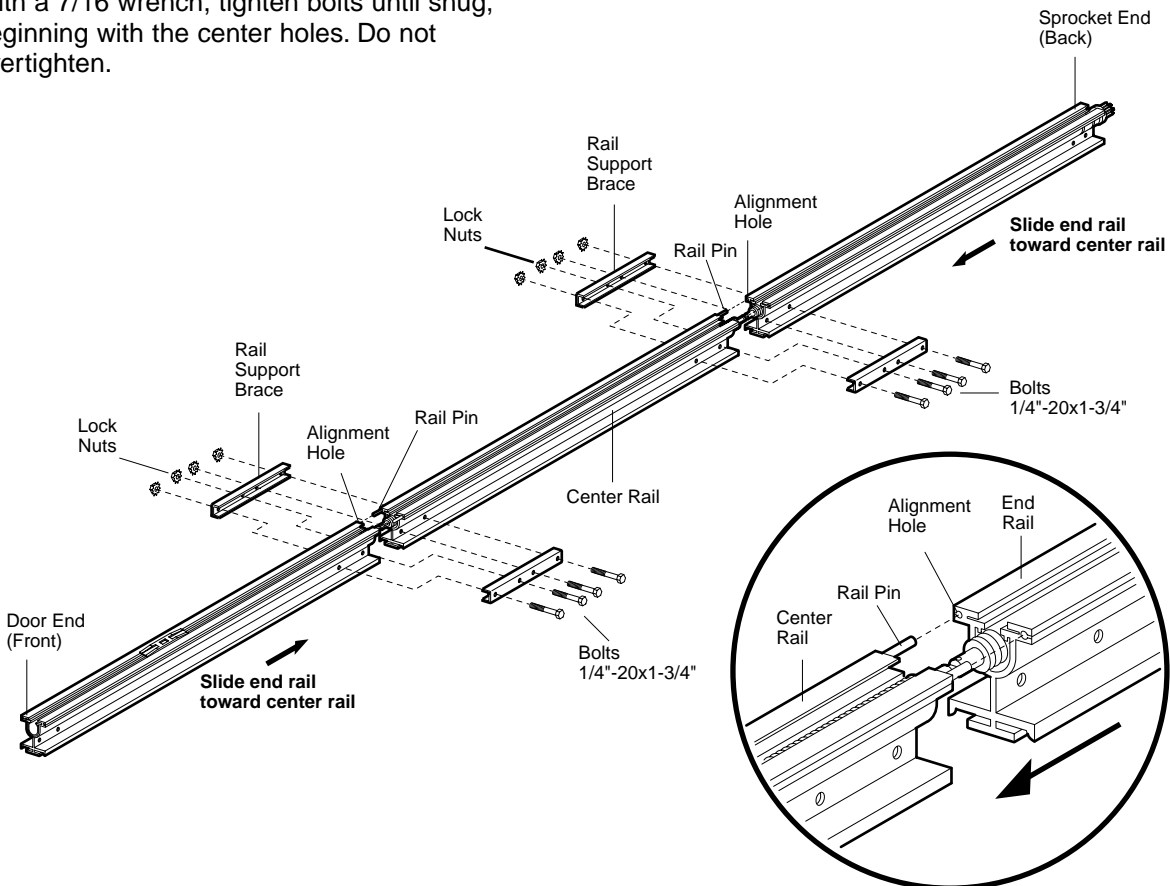
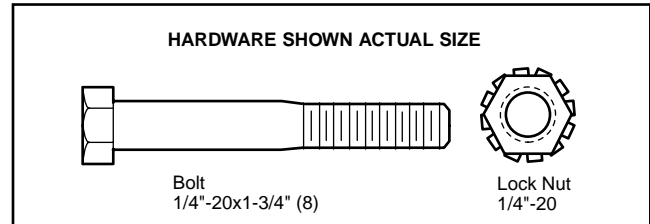
NOTE: During assembly, avoid pulling the rail section housing the trolley rack away from the screw rod. The rack is factory set about 9" (23 cm) from the end of the screw rod to the center of the rack.

If the plastic liner slides part way out during assembly, simply push it back in.



Assemble the Rail (Continued)

- Beginning with the sprocket end, straighten the three rail sections so that the screw rod is in a straight line at the joints. (Avoid handling the joints, which may have sharp edges.)
- Carefully slide the pins at the top edge of the rail into the openings on the adjacent rail. **It is essential that the rail assembly be on a level surface to achieve proper alignment and to avoid damage to the pins.**
- Insert two 1/4"-20x1-3/4" bolts through the center holes of a brace, and place its open length against the rail at the joint, aligning the holes as shown. Position another brace on the opposite side of the rail over the bolts, add 1/4"-20 lock nuts, and hand tighten. Insert two additional bolts and hand tighten.
- Keeping the rail straight and on a level surface, grasp the screw rods on each side of the remaining joint and pivot into a straight line. Repeat steps 5 and 6.
- With a 7/16 wrench, tighten bolts until snug, beginning with the center holes. Do not overtighten.

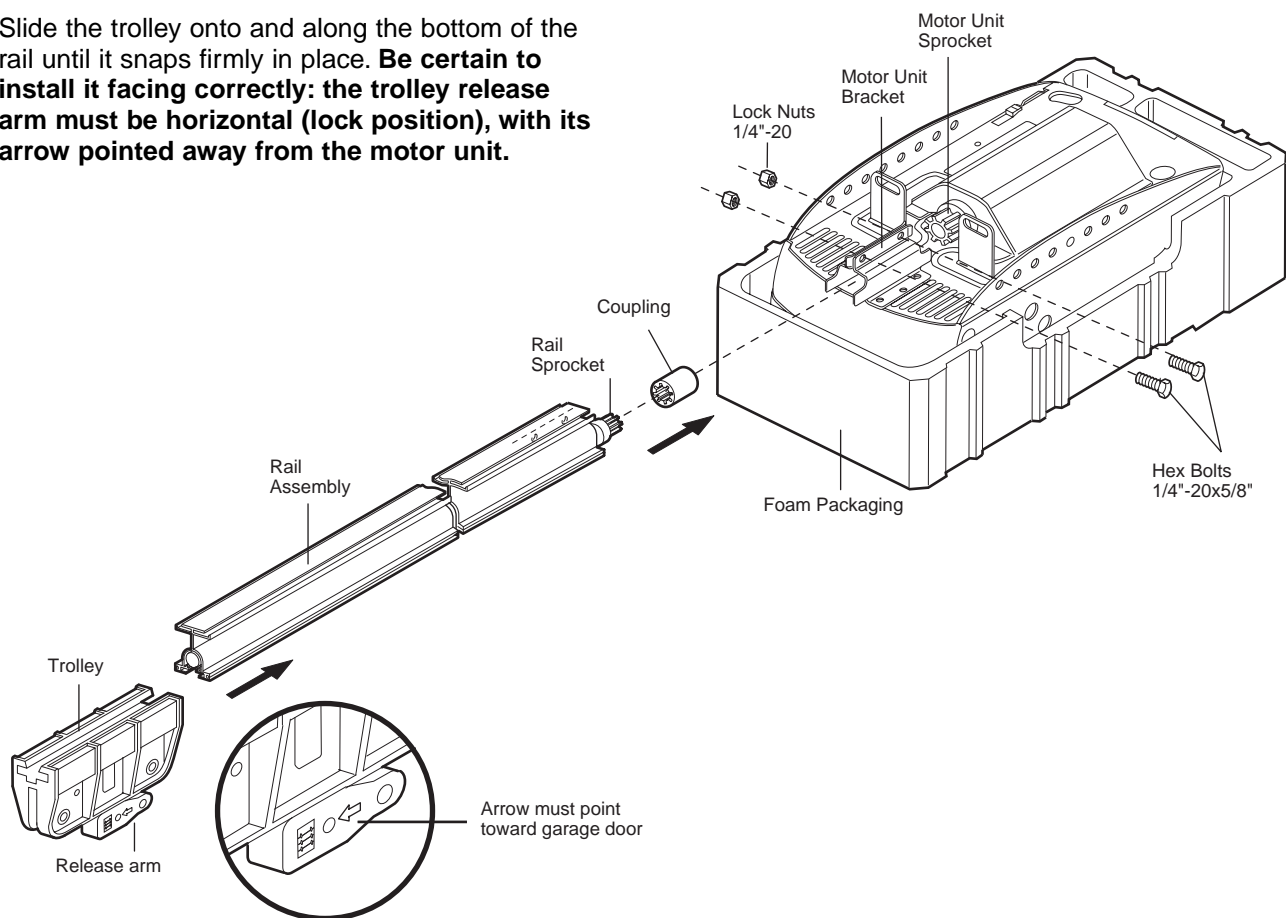
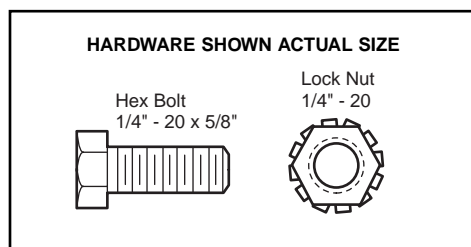


ASSEMBLY STEP 2

Fasten the Rail To the Motor Unit and Install the Trolley

NOTE: To aid in assembly and installation, replace the foam packing around the motor unit. Remove it after Installation Step 5.

- Working on a level surface, align the rail assembly with the motor unit, as shown.
- Slip the coupling over the rail sprocket.
- Slide the rail through the motor unit bracket until the coupling fits securely over the motor unit sprocket.
- Align the two bolt holes in the rail with those in the motor unit bracket. Insert two 1/4"-20x5/8" hex bolts and lock nuts. Tighten securely with a 7/16" socket wrench.
- Slide the trolley onto and along the bottom of the rail until it snaps firmly in place. **Be certain to install it facing correctly: the trolley release arm must be horizontal (lock position), with its arrow pointed away from the motor unit.**

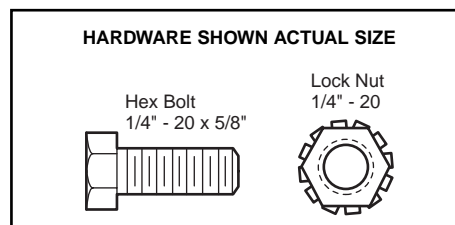
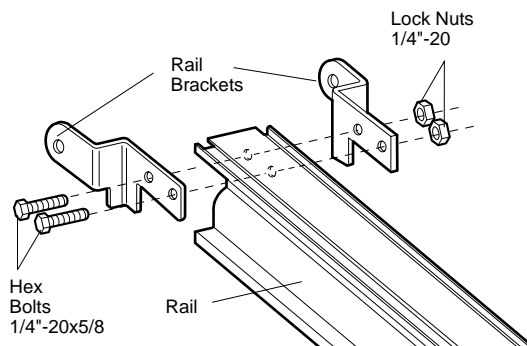


ASSEMBLY STEP 3

Attach the Rail Brackets

- Align rail brackets to end of rail assembly, as shown.
- Insert two 1/4"-20 x 5/8" hex bolts and lock nuts. Tighten securely with a 7/16" socket.

You have now finished assembling your garage door opener. Please read the following warnings before proceeding to the installation section.



INSTALLATION

IMPORTANT INSTALLATION INSTRUCTIONS

⚠ WARNING

To reduce the risk of severe injury or death:

1. READ AND FOLLOW ALL INSTALLATION WARNINGS AND INSTRUCTIONS.
2. Install garage door opener only on properly balanced and lubricated garage door. An improperly balanced door may not reverse when required and could result in SEVERE INJURY or DEATH.
3. All repairs to cables, spring assemblies and other hardware MUST be made by a trained door systems technician BEFORE installing opener.
4. Disable all locks and remove all ropes connected to garage door BEFORE installing opener to avoid entanglement.
5. Install garage door opener 7 feet or more above floor.
6. Mount emergency release handle 6 feet above floor.
7. NEVER connect garage door opener to power source until instructed to do so.
8. NEVER wear watches, rings or loose clothing while installing or servicing opener. They could be caught in garage door or opener mechanisms.
9. Install wall-mounted garage door control:
 - within sight of the garage door
 - out of reach of children at minimum height of 5 feet
 - away from all moving parts of the door.
10. Place entrapment warning label on wall next to garage door control.
11. Place manual release/safety reverse test label in plain view on inside of garage door.
12. Upon completion of installation, test safety reversal system. Door MUST reverse on contact with a one-inch high object (or a 2x4 laid flat) on the floor.

INSTALLATION STEP 1

Determine the Header Bracket Location

⚠ WARNING

To prevent possible **SERIOUS INJURY** or **DEATH**:

- Header bracket **MUST** be **RIGIDLY** fastened to structural support on header wall or ceiling, otherwise garage door might not reverse when required. **DO NOT** install header bracket over drywall.
- Concrete anchors **MUST** be used if mounting header bracket or 2x4 into masonry.
- **NEVER** try to loosen, move or adjust garage door, springs, cables, pulleys, brackets, or their hardware, all of which are under **EXTREME** tension.
- **ALWAYS** call a trained door systems technician if garage door binds, sticks, or is out of balance. An unbalanced garage door might not reverse when required.

Installation procedures vary according to garage door types. Follow the instructions which apply to your door.

SECTIONAL DOOR AND ONE-PIECE DOOR WITH TRACK

1. Close the door and mark the inside vertical centerline of the garage door.
2. Extend the line onto the header wall above the door.

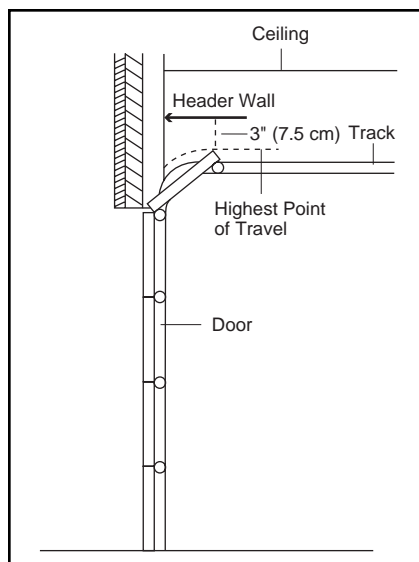
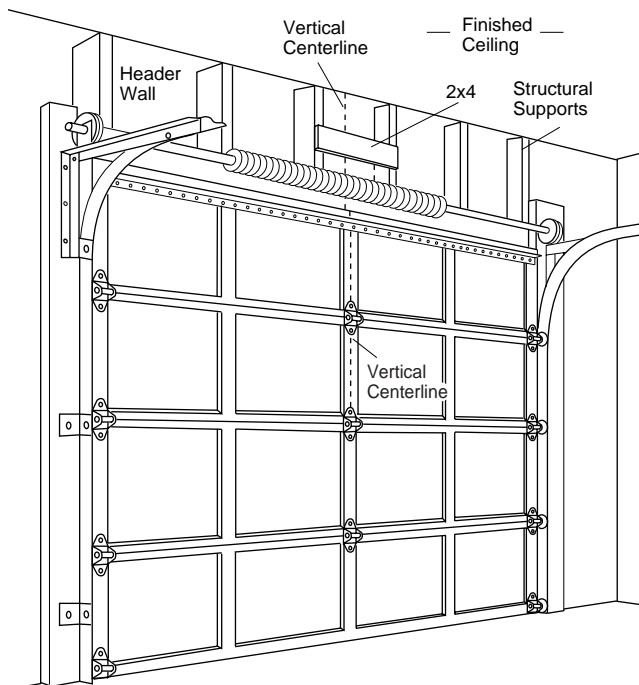
You can fasten the header bracket within 4 feet (1.20 m) of the left or right of the door center only if a torsion spring or center bearing plate is in the way; or you can attach it to the ceiling (see page 14) when clearance is minimal. (It may be mounted on the wall upside down if necessary, to gain approximately (1 cm) 1/2".)

If you need to install the header bracket on a 2x4 (on wall or ceiling), use lag screws (not provided) to securely fasten the 2x4 to structural supports as shown here and on page 13.

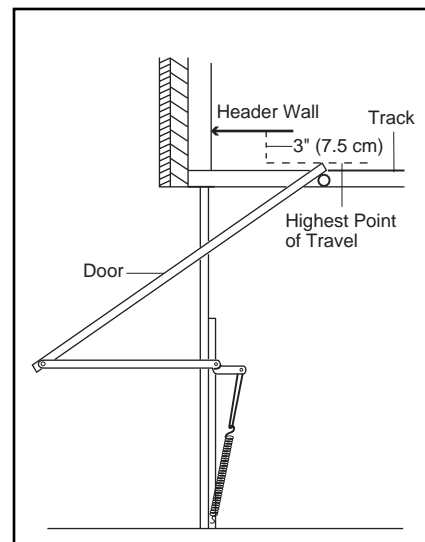
3. Open your door to the highest point of travel as shown. Draw an intersecting horizontal line on the header wall 3" (7.5 cm) above the high point. This height will provide travel clearance for the top edge of the door.

NOTE: Door clearance brackets are available for sectional doors when headroom clearance is less than 2" (5 cm). See accessory page 39.

Proceed to Step 2, page 14.



Sectional door with curved track



One-piece door with horizontal track

ONE-PIECE DOOR WITHOUT TRACK

1. Close the door and mark the inside vertical centerline of your garage door. Extend the line onto the header wall above door, as shown.

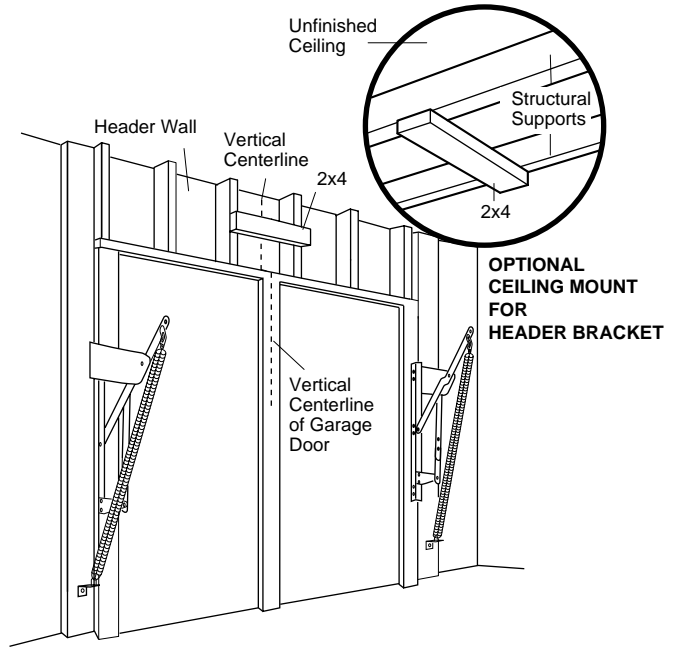
If headroom clearance is minimal, you can install the header bracket on the ceiling. See page 14.

If you need to install the header bracket on a 2x4 (on wall or ceiling), use lag screws (not provided) to securely fasten the 2x4 to structural supports as shown.

2. Open your door to the highest point of travel as shown. Measure the distance from the top of the door to the floor. Subtract the actual height of the door. Add 8" (20 cm) to the remainder. (See Example).

3. Close the door and draw an intersecting horizontal line on the header wall at the determined height.

NOTE: If the total number of inches exceeds the height available in your garage, use the maximum height possible, or refer to page 14 for ceiling installation.

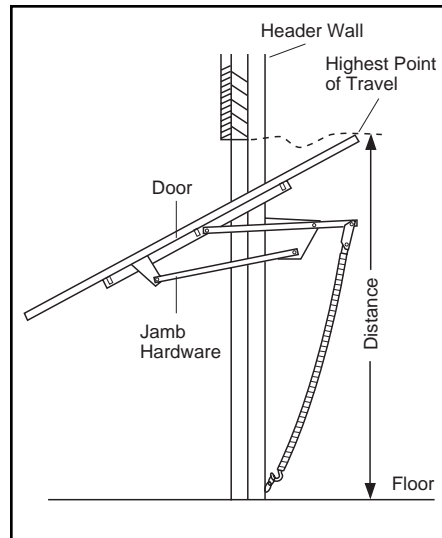


EXAMPLE

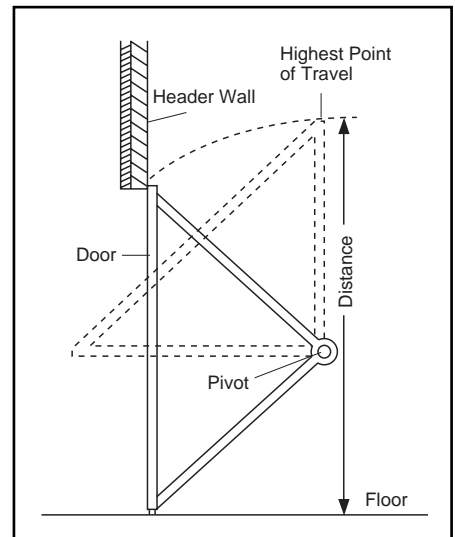
| | |
|---|-----------------------|
| Distance from top of door | |
| (at highest point of travel) to floor | .92" (2.30m) |
| Actual height of door | <u>-.88" (2.20 m)</u> |
| Remainder | .4" (0.10 m) |
| Add | <u>+8" (0.20 m)</u> |
| Bracket height on header wall | = 12" (0.30 m) |

(Measure UP from top of CLOSED door.)

Proceed to Step 2, page 14.



**One-piece door without track:
jamb hardware**



**One-piece door without track:
pivot hardware**

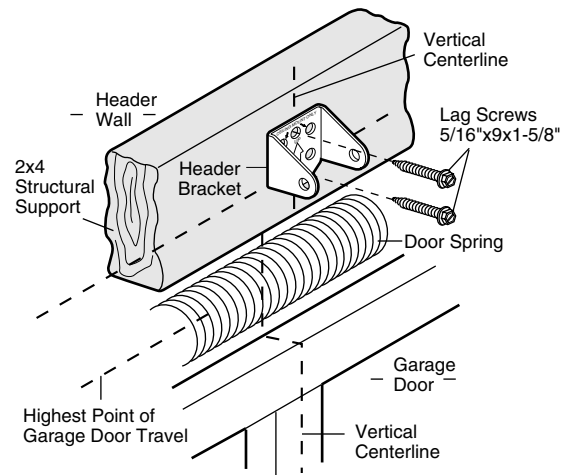
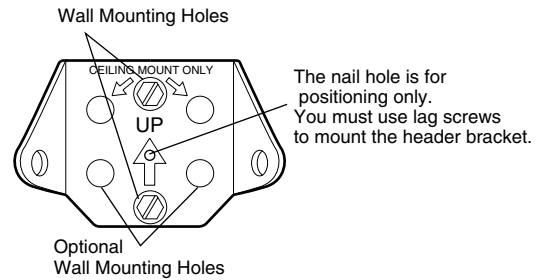
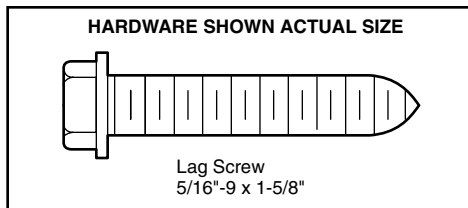
INSTALLATION STEP 2

Install the Header Bracket

You can attach the header bracket either to the wall above the garage door, or to the ceiling. Follow the instructions which will work best for your particular requirements. **Do not install the header bracket over drywall. If installing into masonry, use concrete anchors (not provided).**

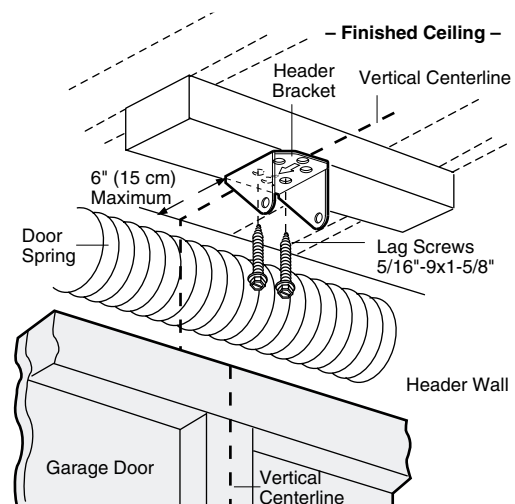
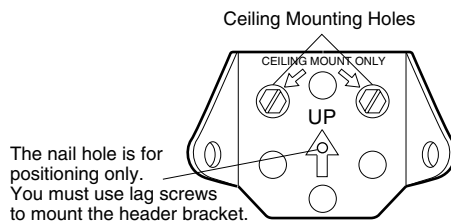
WALL HEADER BRACKET INSTALLATION

- Center the bracket on the vertical centerline with the bottom edge of the bracket on the horizontal line as shown (with the arrow pointing toward the ceiling).
- Mark the vertical set of bracket holes (do not use the holes designated for ceiling mount). Drill 3/16" pilot holes and fasten the bracket securely to a structural support with the hardware provided.



CEILING HEADER BRACKET INSTALLATION

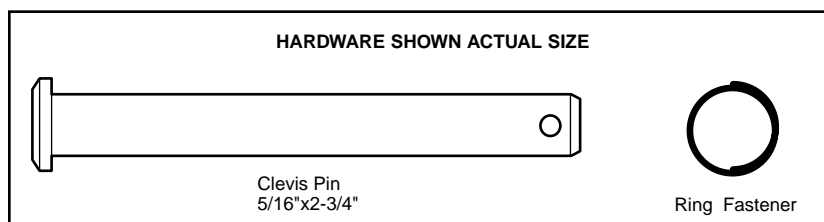
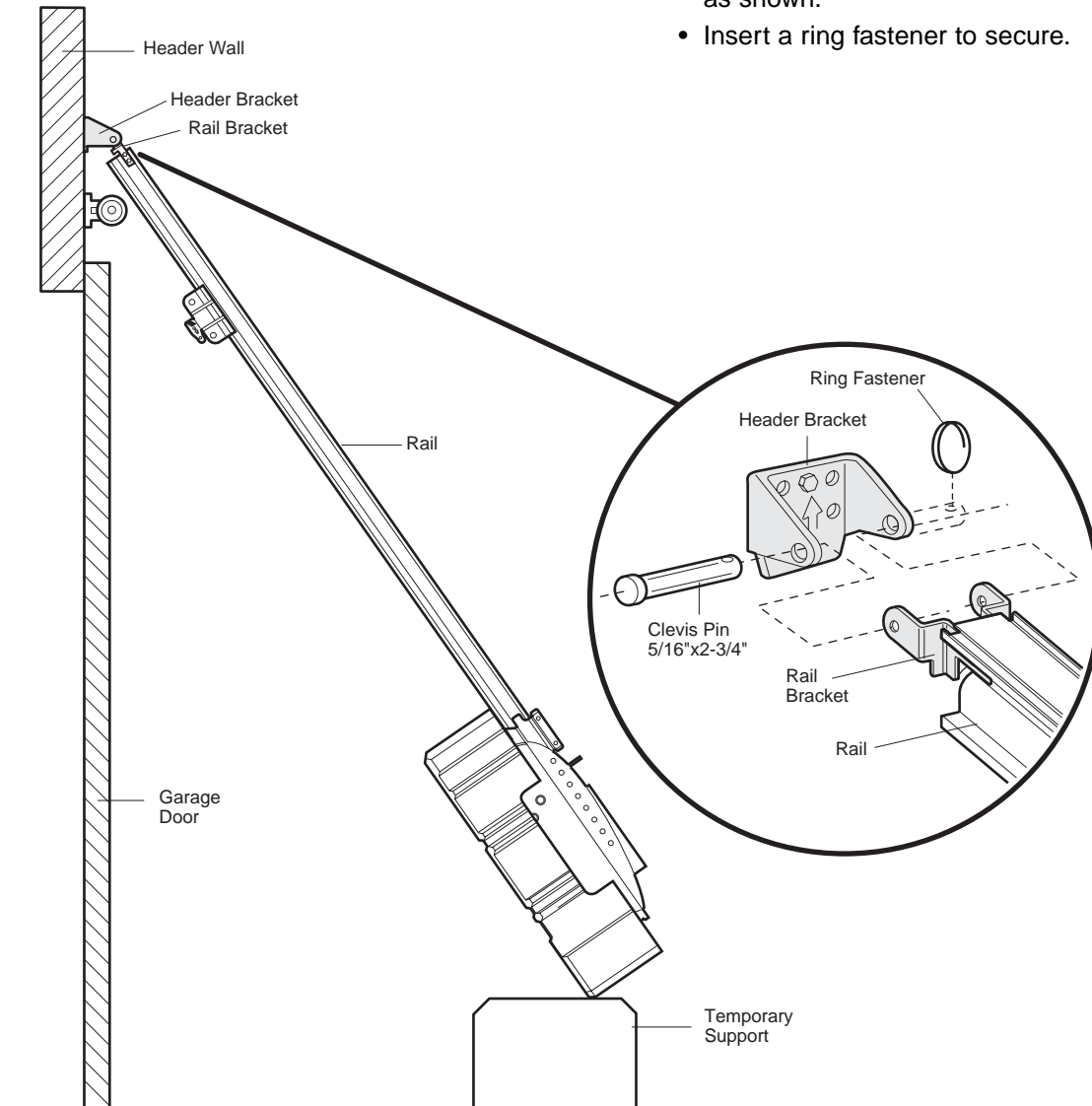
- Extend the vertical centerline onto the ceiling as shown.
- Center the bracket on the vertical mark, no more than 6" (15 cm) from the wall. Make sure the arrow is pointing toward the wall. The bracket can be mounted flush against the ceiling when clearance is minimal.
- Mark the side holes. Drill 3/16" pilot holes and fasten bracket securely to a structural support with the hardware provided.



INSTALLATION STEP 3

Attach the Rail to the Header Bracket

- Position the opener on the garage floor below the header bracket. Use packing material as a protective base. **NOTE: If the door spring is in the way you'll need help. Have someone hold the opener securely on a temporary support to allow the rail to clear the spring.**
- Position the rail bracket against the header bracket.
- Align the bracket holes and join with a clevis pin as shown.
- Insert a ring fastener to secure.



INSTALLATION STEP 4

Install the Safety Reversing Sensor

The safety reversing sensor must be connected and aligned correctly before the garage door opener will move in the down direction.

IMPORTANT INFORMATION ABOUT THE SAFETY REVERSING SENSOR

When properly connected and aligned, the sensor will detect an obstacle in the path of its electronic beam. The sending eye (with an orange indicator light) transmits an invisible light beam to the receiving eye (with a green indicator light). If an obstruction breaks the light beam while the door is closing, the door will stop and reverse to full open position, and the opener lights will flash 10 times.

The units must be installed inside the garage so that the sending and receiving eyes face each other across the door, no more than 6" (15 cm) above the floor. Either can be installed on the left or right of the door as long as the sun never shines directly into the receiving eye lens.

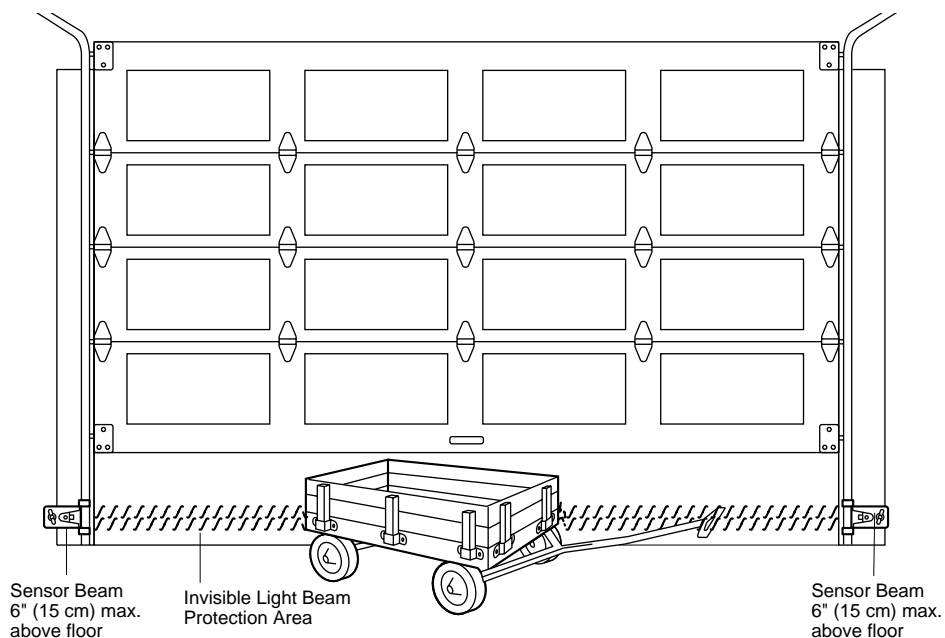
The mounting brackets are designed to clip onto the track of sectional garage doors without additional hardware.

⚠ WARNING

- Be sure power is not connected to the garage door opener BEFORE installing the safety reversing sensor.
- To prevent SERIOUS INJURY or DEATH from a closing garage door:
 - Correctly connect and align the safety reversing sensor. This required safety device MUST NOT be disabled.
 - Install the safety reversing sensor so beam is NO HIGHER than 6" (15 cm) above garage floor.

If it is necessary to mount the units on the wall, the brackets must be securely fastened to a solid surface such as the wall framing. Extension brackets (see accessories) are available if needed. If installing in masonry construction, add a piece of wood at each location to avoid drilling extra holes in masonry if repositioning is necessary.

The invisible light beam path must be unobstructed. No part of the garage door (or door tracks, springs, hinges, rollers or other hardware) may interrupt the beam while the door is closing.



Facing the door from inside the garage

INSTALLING THE BRACKETS

Be sure power to the opener is disconnected.

Install and align the brackets so the sensors will face each other across the garage door, with the beam no higher than 6" (15 cm) above the floor. They may be installed in one of three ways, as follows.

Garage door track installation (preferred):

- Slip the curved arms over the rounded edge of each door track, with the curved arms facing the door. Snap into place against the side of the track. It should lie flush, with the lip hugging the back edge of the track, as shown in Figure 1.

If your door track will not support the bracket securely, wall installation is recommended.

Wall installation:

- Place the bracket against the wall with curved arms facing the door. Be sure there is enough clearance for the sensor beam to be unobstructed.
- If additional depth is needed, an extension bracket (see Accessories) or wood blocks can be used.
- Use bracket mounting holes as a template to locate and drill (2) 3/16" diameter pilot holes on the wall at each side of the door, no higher than 6" (15 cm) above the floor.
- Attach brackets to wall with lag screws (not provided).
- If using extension brackets or wood blocks, adjust right and left assemblies to the same distance out from the mounting surface. Make sure all door hardware obstructions are cleared.

Floor installation:

- Use wood blocks or extension brackets (see Accessories) to elevate sensor brackets so the lenses will be no higher than 6" (15 cm) above the floor.
- Carefully measure and place right and left assemblies at the same distance out from the wall. Be sure all door hardware obstructions are cleared.
- Fasten to the floor with concrete anchors as shown.

Figure 1 DOOR TRACK MOUNT (RIGHT SIDE)

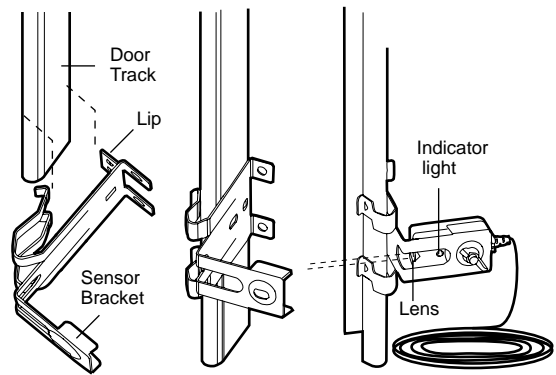


Figure 2 WALL MOUNT (RIGHT SIDE)

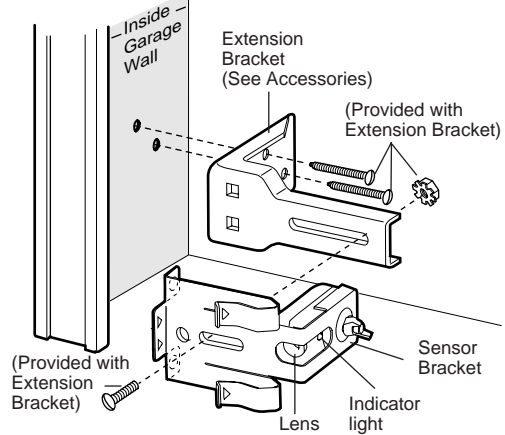
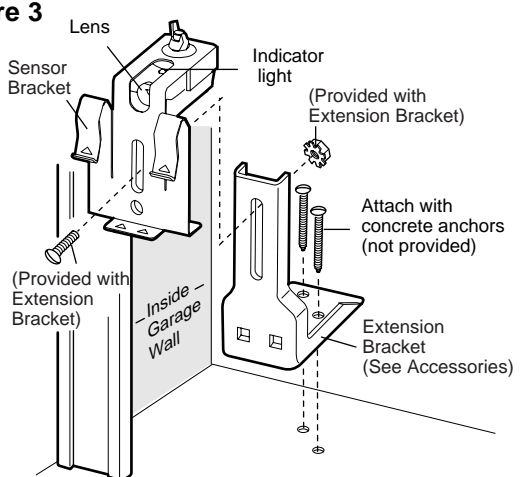


Figure 3 FLOOR MOUNT (RIGHT SIDE)



MOUNTING AND WIRING THE SAFETY SENSORS

- Slide a 1/4"-20x1/2" carriage bolt head into the slot on each sensor. Use wing nuts to fasten sensors to brackets, with lenses pointing toward each other across the door. Be sure the lens is not obstructed by a bracket extension. See Figure 4.
- Finger tighten the wing nuts.

Recommended Wire Routing

1. Using insulated staples, run the wires from both sensors to the rail at the door header (see Figure 5).
2. Cross and twist the two wires where they meet the rail (see inset A). Run the wires inside the channels at the top of the rail, along each side, to the motor unit. **Do not use the lower (trolley) channels.** Use a screwdriver tip to tuck the wires snugly into the channels.

NOTE: If your access door is near the garage door, you may choose to install the door control at this time and run the door control wire along the rail with the sensor wires. Use one rail channel for the door control wire and the other channel for both sensor wires. If you choose this option, follow instructions 1-3 on page 21 now.

3. Pull wires taut across the top of the chassis and insert into the opening above the terminal block (see Figure 5, Illustration B). You will complete the wiring in Installation Step 7.

Figure 4

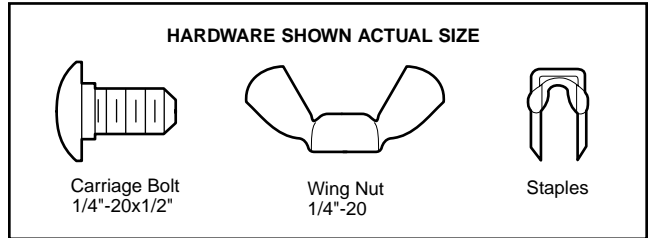
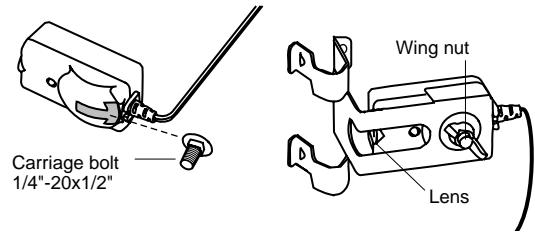
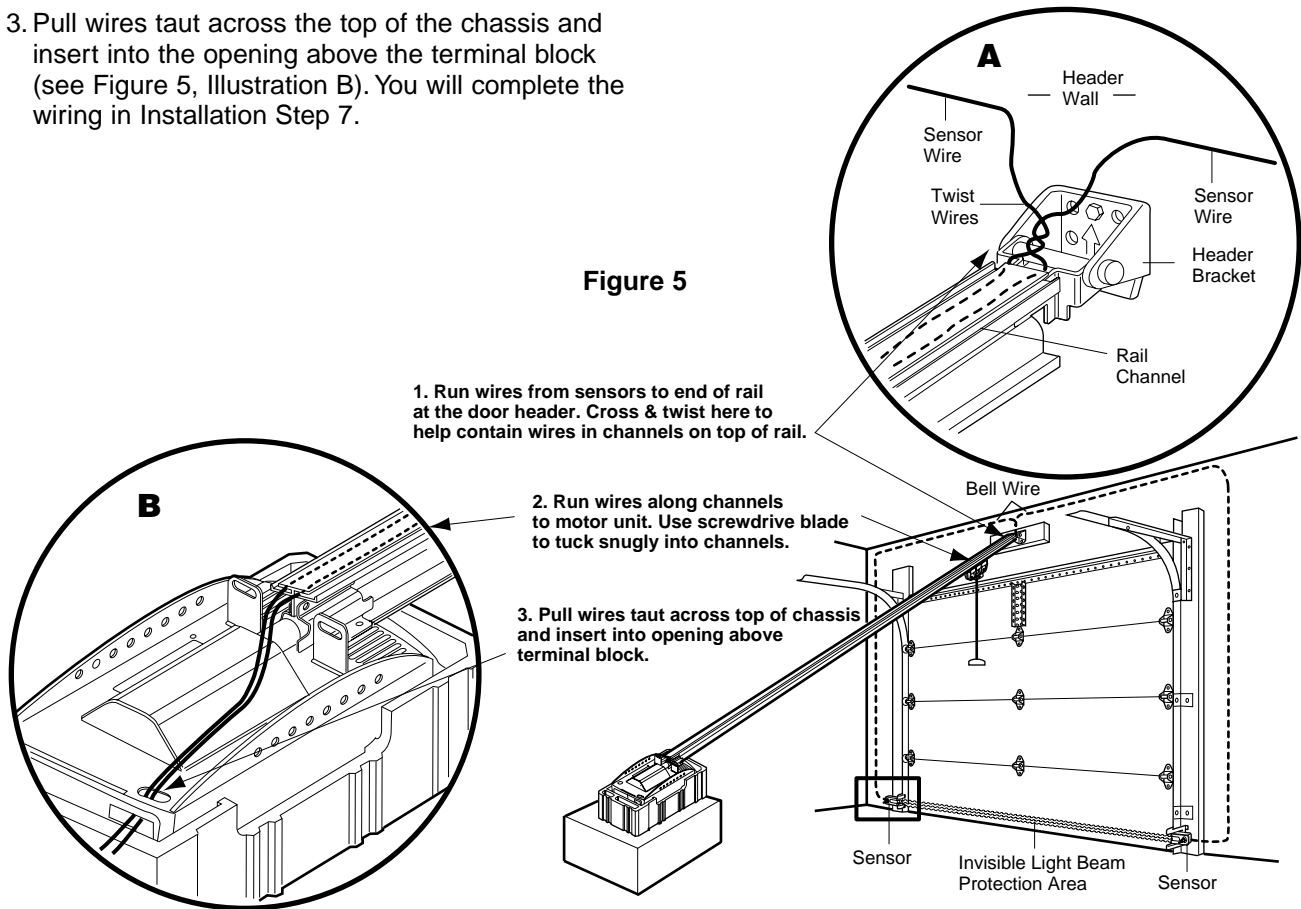


Figure 5



INSTALLATION STEP 5

Position the Opener

Follow instructions which apply to your door type as illustrated.

SECTIONAL DOOR OR ONE-PIECE DOOR WITH TRACK

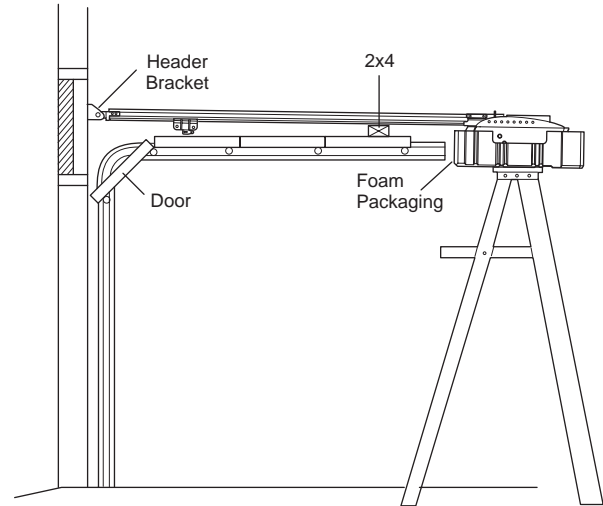
A 2x4 laid flat is convenient for setting an ideal door-to-rail distance.

- Raise the opener onto a stepladder. You will need help at this point if the ladder is not tall enough.
- Open the door all the way and place a 2x4 laid flat on the top section beneath the rail.
- If the top section or panel hits the trolley when you raise the door, pull down on the trolley release arm to disconnect inner and outer sections. Slide the outer trolley toward the motor unit. The trolley can remain disconnected until Installation Step 13 is completed.



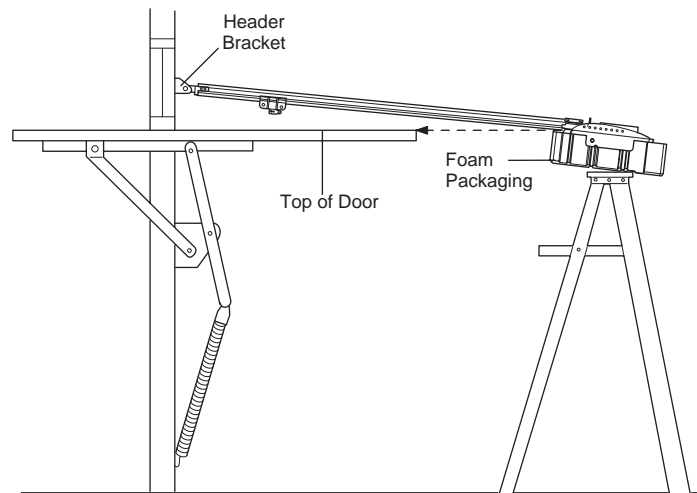
CAUTION

To prevent damage to garage door, rest garage door opener rail on 2x4 (5 x 10 cm) placed on top section of door.



ONE-PIECE DOOR WITHOUT TRACK

- With the door fully open and parallel to the floor, measure the distance from the floor to the top of the door.
- Using a stepladder as a support, raise the top of the opener to this height.
- The top of the door should be level with the top of the motor unit. Do not position the opener more than 3" (7.5 cm) above this point.



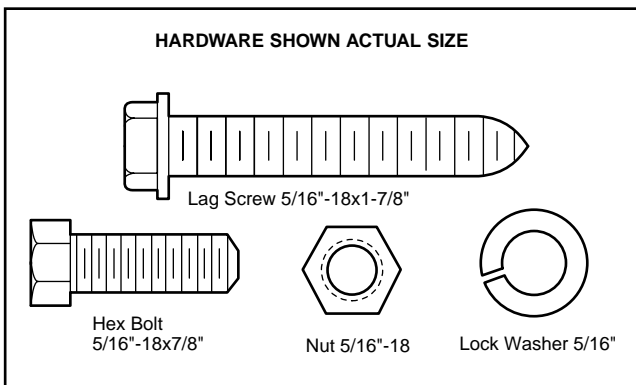
INSTALLATION STEP 6

Hang the Opener

Three representative installations are shown. Yours may be different. Hanging brackets should be angled (Figure 1) to provide rigid support. On finished ceilings (Figure 2), attach a sturdy metal bracket to structural supports before installing the opener. This bracket and fastening hardware are not provided (see accessories).

Existing brackets from a previous installation may be fastened to the sides of the motor unit as in Figures 1 and 2, or to the mounting tabs as shown in Figure 3. Then continue with step 5 below.

1. Remove foam packaging. Measure the distance from each side of the motor unit to the structural support.
2. Cut both pieces of the hanging bracket to required lengths.
3. Drill $3/16"$ pilot holes in the structural supports.
4. Attach one end of each bracket to a support with $5/16"$ - $18 \times 1-7/8"$ lag screws.
5. Fasten the opener to the hanging brackets with $5/16"$ - $18 \times 7/8"$ hex bolts, lock washers and nuts.
If you wish to utilize the two center mounting tabs, you **must** triangulate the vertical brackets for additional stability. See Figure 3.
6. Check to make sure the rail is centered over the door (or in line with the header bracket if the bracket is not centered above the door).
7. Remove the 2x4. Operate the door manually. If the door hits the rail, raise the header bracket.



⚠ WARNING

To avoid possible **SERIOUS INJURY** from a falling garage door opener, fasten it **SECURELY** to structural supports of the garage. Concrete anchors **MUST** be used if installing any brackets into masonry.

Figure 1

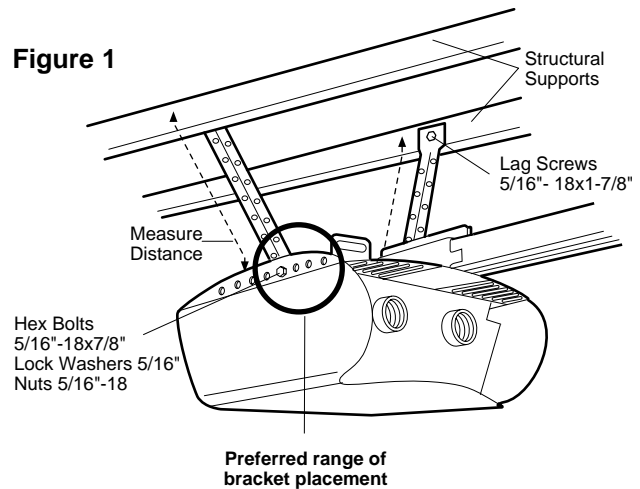


Figure 2

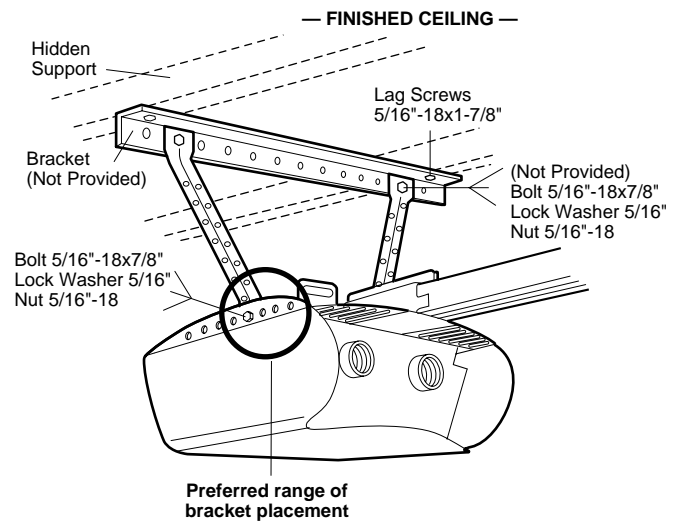
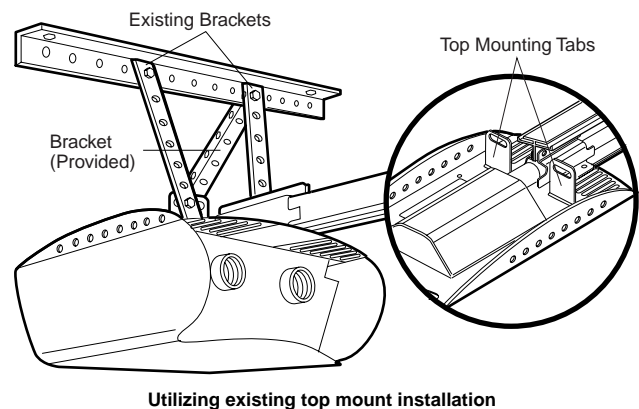


Figure 3



INSTALLATION STEP 7

Install the Door Control

Locate door control within sight of door, at a minimum height of 5 feet (1.5 m) where small children cannot reach, away from moving parts of door and door hardware. If installing into drywall, drill 5/32" (0.40 cm) holes and use the anchors provided. For pre-wired installations (as in new home construction), it may be mounted to a single gang box (Figure 2).

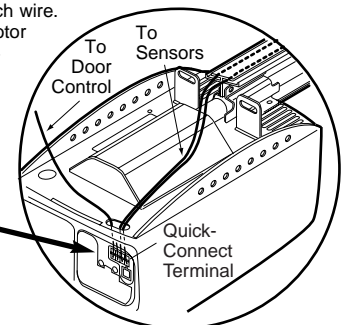
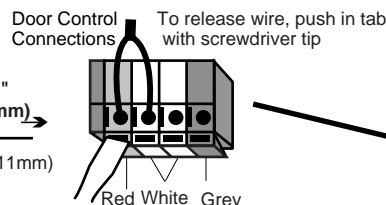
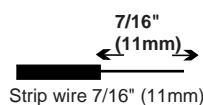
- Strip 7/16" (11 mm) of insulation from one end of bell wire and connect to the two screw terminals on back of door control by color: white wire to 2 and white/red wire to the 1.
- Remove white cover by gently prying at slot in top of the cover with a small flat head screwdriver. Fasten with 6AB x 1-1/4" self-tapping screws (drywall installation) or 6-32 x 1" machine screws (into gang box) as follows:
 - Drill and install bottom screw, allowing 1/8" (3 mm) to protrude above wall surface.
 - Position bottom of door control on screw head and slide down to secure. Adjust screw for snug fit.
 - Drill and install top screw with care to avoid cracking plastic housing. **Do not over tighten.**
 - Insert top tabs and snap on cover.
- (Standard installation only)** Run bell wire up wall and across ceiling to motor unit. Use insulated staples to secure wire in several places. Do not pierce wire with a staple, creating a short or open circuit. If your access door is near the garage door, you may run this wire with the Safety Reversing Sensor wires along the top of the rail. See page 18.
- Insert all wires through the opening on top of motor unit above the terminal block on the back panel (Figure 3).
- Strip 7/16" (11 mm) of insulation from each set of wires. Insert door control wire into quick-connect terminals by color: white wire to white, white/red wire to red.

Separate white and white/black wires sufficiently to connect to the opener quick-connect terminals. Twist like colored wires together. Insert wires into quick-connect holes: white to white and white/black to grey.

NOTE: When connecting multiple door controls to the opener, twist same color wires together. Insert wires into quick-connect holes: white to white and red/white to red.

- Use tacks or staples to permanently attach entrapment warning label to wall near door control, and manual release/safety reverse test label in a prominent location on inside of garage door.

NOTE: DO NOT connect the power and operate the opener at this time. The trolley will travel to the full open position but will not return to the close position until the sensor beam is connected and properly aligned.



⚠️ WARNING

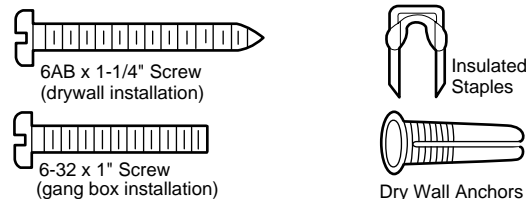
To prevent possible SERIOUS INJURY or DEATH from electrocution:

- Be sure power is not connected BEFORE installing door control.
- Connect ONLY to 24 VOLT low voltage wires.

To prevent possible SERIOUS INJURY or DEATH from a closing garage door:

- Install door control within sight of garage door, out of reach of children at a minimum height of 5 feet, and away from all moving parts of door.
- NEVER permit children to operate or play with door control push buttons or remote control transmitters.
- Activate door ONLY when it can be seen clearly, is properly adjusted, and there are no obstructions to door travel.
- ALWAYS keep garage door in sight until completely closed. NEVER permit anyone to cross path of closing garage door.

Hardware Shown Actual Size



Outside Keylock Accessory Connections

To opener quick-connect terminals: white to white; white/red to red.

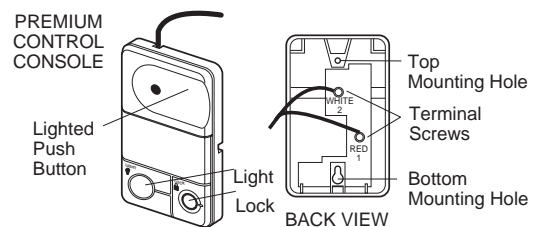


Figure 1
REMOVE & REPLACE COVER

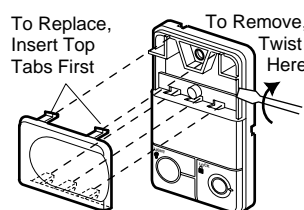


Figure 2
PRE-WIRED INSTALLATION

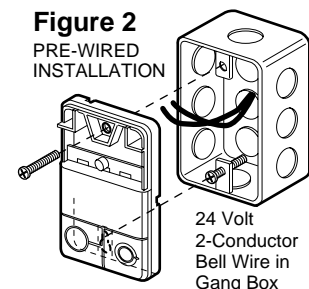
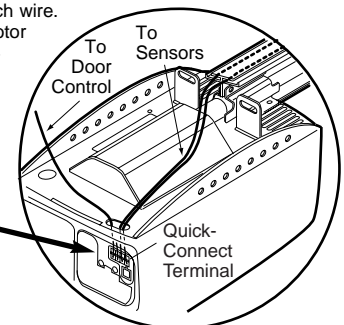
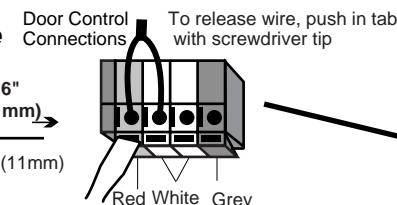


Figure 3 Wiring to Terminal Block

Strip 7/16" (11 mm) of insulation from each wire. Insert wires through opening on top of motor unit above terminal block, then into quick-connect terminals.

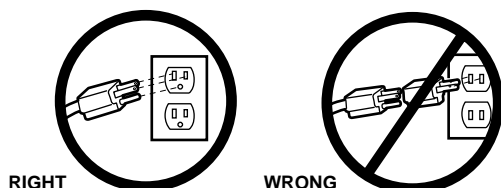


INSTALLATION STEP 8

Electrical Requirements

To avoid installation difficulties, do not run the opener until Step 9 below.

To reduce the risk of electric shock, your garage door opener has a grounding type plug with a third grounding pin. This plug will only fit into a grounding type outlet. If the plug doesn't fit into the outlet you have, contact a qualified electrician to install the proper outlet.



If permanent wiring is required by your local code, refer to the following procedure.

To make a permanent connection through the 7/8" (2.19 cm) hole in the top of the motor unit:

- Remove the motor unit cover screws and set the cover aside.
- Remove the attached 3-prong cord.
- Connect the black (line) wire to the screw on the brass terminal; the white (neutral) wire to the screw on the silver terminal; and the ground wire to the green ground screw. **The opener must be grounded.**
- Reinstall the cover.

To avoid installation difficulties, do not run the opener until Step 9 below.

INSTALLATION STEP 9

Complete the Safety Reversing Sensor Installation

ALIGNING THE SAFETY SENSORS

- Plug in the opener. The indicator lights in both the sending and receiving eyes will glow steadily if wiring connections and alignment are correct.

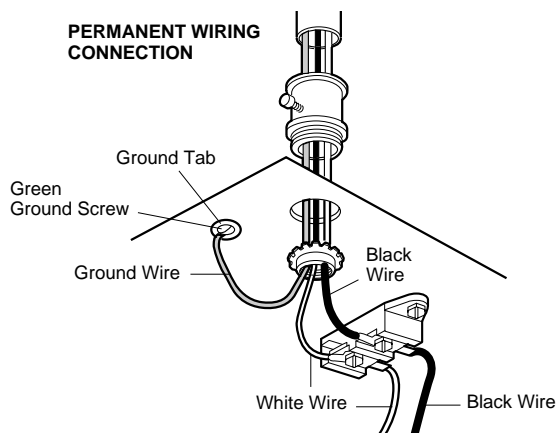
The *sending* eye orange indicator light will glow regardless of alignment or obstruction. If the green indicator light in the *receiving* eye is off, dim, or flickering (and the invisible light beam path is not obstructed), alignment is required:

- Loosen the *sending* eye wing nut and readjust, aiming directly at the receiving eye. Lock in place.
- Loosen the *receiving* eye wing nut and adjust the sensor until it receives the sender's beam. When the green indicator light glows steadily, tighten the wing nut.

⚠ WARNING

To prevent possible SERIOUS INJURY or DEATH from electrocution or fire:

- Be sure power is not connected to the opener, and disconnect power to circuit BEFORE removing cover to establish permanent wiring connection.
- Garage door installation and wiring MUST be in compliance with all local electrical and building codes.
- NEVER use an extension cord, 2-wire adapter, or change plug in any way to make it fit outlet. Be sure the opener is grounded.



TROUBLESHOOTING THE SAFETY SENSORS

1. If the sending eye indicator light does not glow steadily after installation, check for:
 - Electric power to the opener.
 - A short in the white or white/black wires. These can occur at staples, or at opener connections.
 - Incorrect wiring between sensors and opener.
 - A broken wire.
2. If the sending eye indicator light glows steadily but the receiving eye indicator light doesn't:
 - Check alignment.
 - Check for an open wire to the receiving eye.
3. If the receiving eye indicator light is dim, realign either sensor.

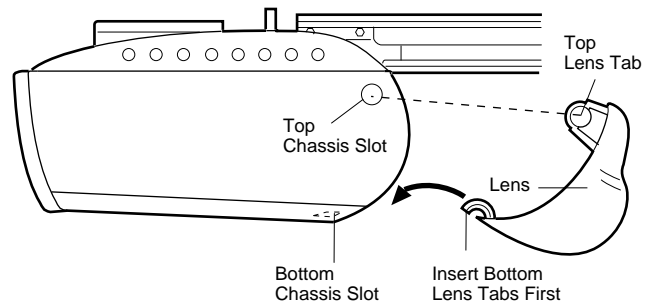
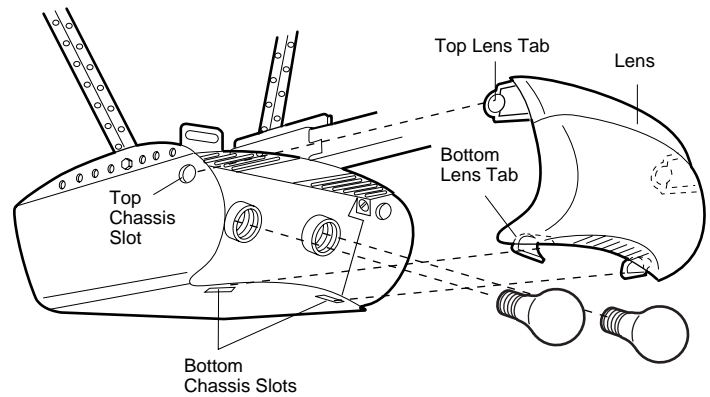
NOTE: When the invisible beam path is obstructed or misaligned while the door is closing, the door will reverse. If the door is already open, it will not close. The opener lights will flash 10 times. (See page 16.)

INSTALLATION STEP 10

Install the Lights and Lens

- Install a 100 watt maximum light bulb in each socket. The lights will turn ON and remain lit for approximately 4-1/2 minutes when power is connected. Then the lights will turn OFF.
- Insert bottom lens tabs into slots on chassis. Tilt towards chassis to engage top tabs, then drop down gently into place. (See illustration.)
- To remove, depress both top lens tabs. Tilt lens slightly outward and down, then pull out to clear bulbs. Use care to avoid snapping off bottom lens tabs.

NOTE: Use only standard light bulbs. The use of short neck or speciality light bulbs may overheat the endpanel or light socket.



INSTALLATION STEP 11

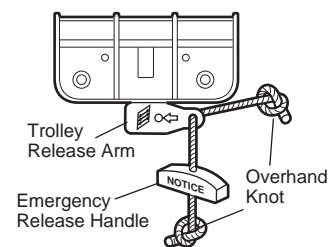
Attach the Emergency Release Rope and Handle

- Thread one end of the rope through the hole in the top of the red handle so "NOTICE" reads right side up as shown. Secure with an overhand knot at least 1" (2.5 cm) from the end of the rope to prevent slipping.
- Thread the other end of the rope through the hole in the release arm of the outer trolley.
- Adjust rope length so the handle is 6 feet (1.8 m) above the floor. Secure with an overhand knot.

NOTE: If it is necessary to cut the rope, heat seal the cut end with a match or lighter to prevent unraveling.

⚠ WARNING

- To prevent possible SERIOUS INJURY or DEATH from a falling garage door:
 - If possible, use emergency release handle to disengage trolley ONLY when garage door is CLOSED. Weak or broken springs or unbalanced door could result in an open door falling rapidly and/or unexpectedly.
 - NEVER use emergency release handle unless garage doorway is clear of persons and obstructions.
- NEVER use handle to pull door open or closed. If rope knot becomes untied, you could fall.



INSTALLATION STEP 12

Fasten Door Bracket

Follow instructions which apply to your door type as illustrated below or on the following page.

A horizontal brace should be long enough to be secured to 2 vertical supports. A vertical brace should cover the height of the top panel.

The illustration shows one piece of angle iron as the horizontal brace. For the vertical brace, 2 pieces of angle iron are used to create a "U"-shaped support (Figure 1). The best solution is to check with your garage door manufacturer for an opener installation door reinforcement kit.

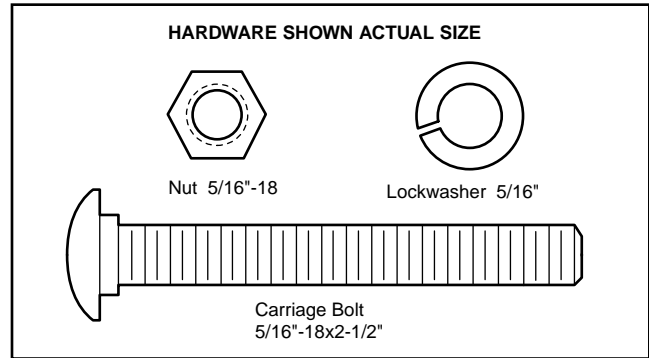
NOTE: Many vertical brace installations provide for direct attachment of the clevis pin and door arm. In this case you will not need the door bracket; proceed to Step 13.

SECTIONAL DOORS

- Center the door bracket on the previously marked vertical centerline used for the header bracket installation. Note correct UP placement, as stamped inside the bracket. (Figure 2).
- Position the bracket on the face of the door within the following limits:
 - A) The top edge of the bracket 2"-4" (5-10 cm) below the top edge of the door.
 - B) The top edge of the bracket directly below any structural support across the top of the door.

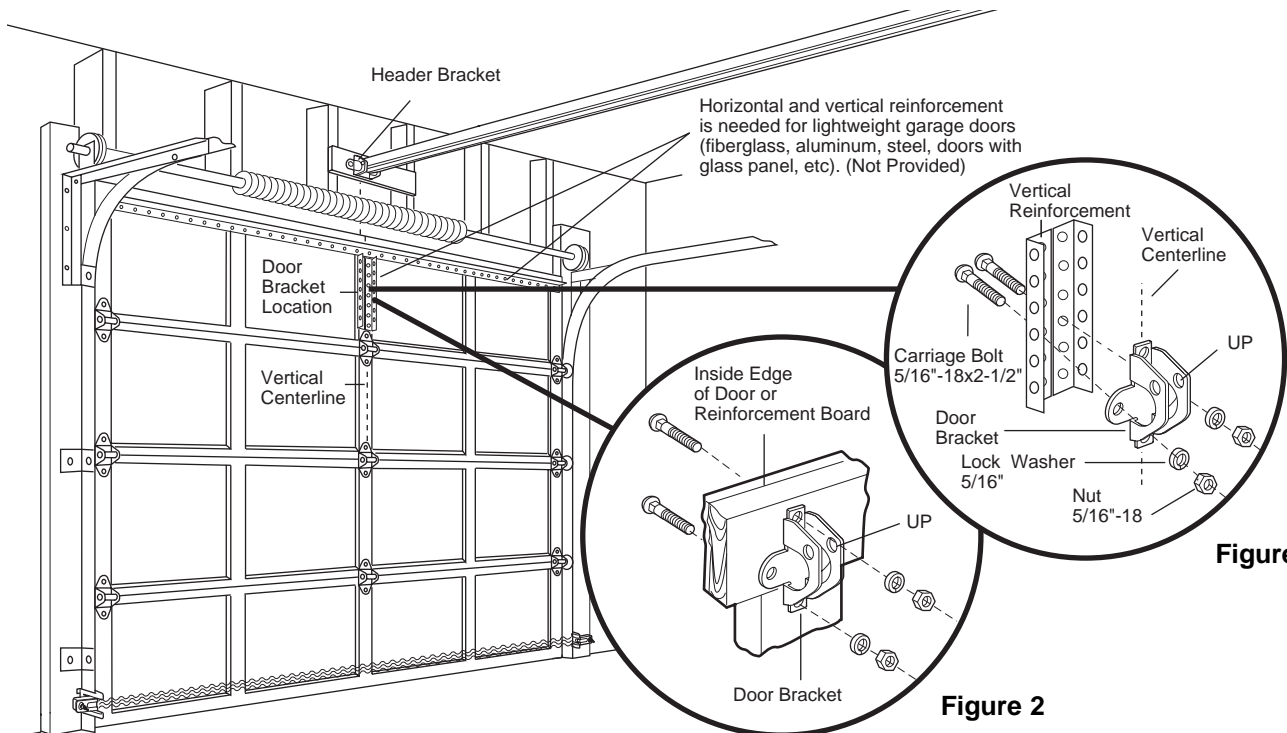
CAUTION

To prevent damage to garage door, reinforce inside of door with angle iron both vertically and horizontally.



- Mark and drill 5/16" (0.78 cm) left and right fastening holes. Secure the bracket as shown in Figure 1 if there is vertical reinforcement.

If your installation doesn't require vertical reinforcement but does need top and bottom fastening holes for the door bracket, fasten as shown in Figure 2.



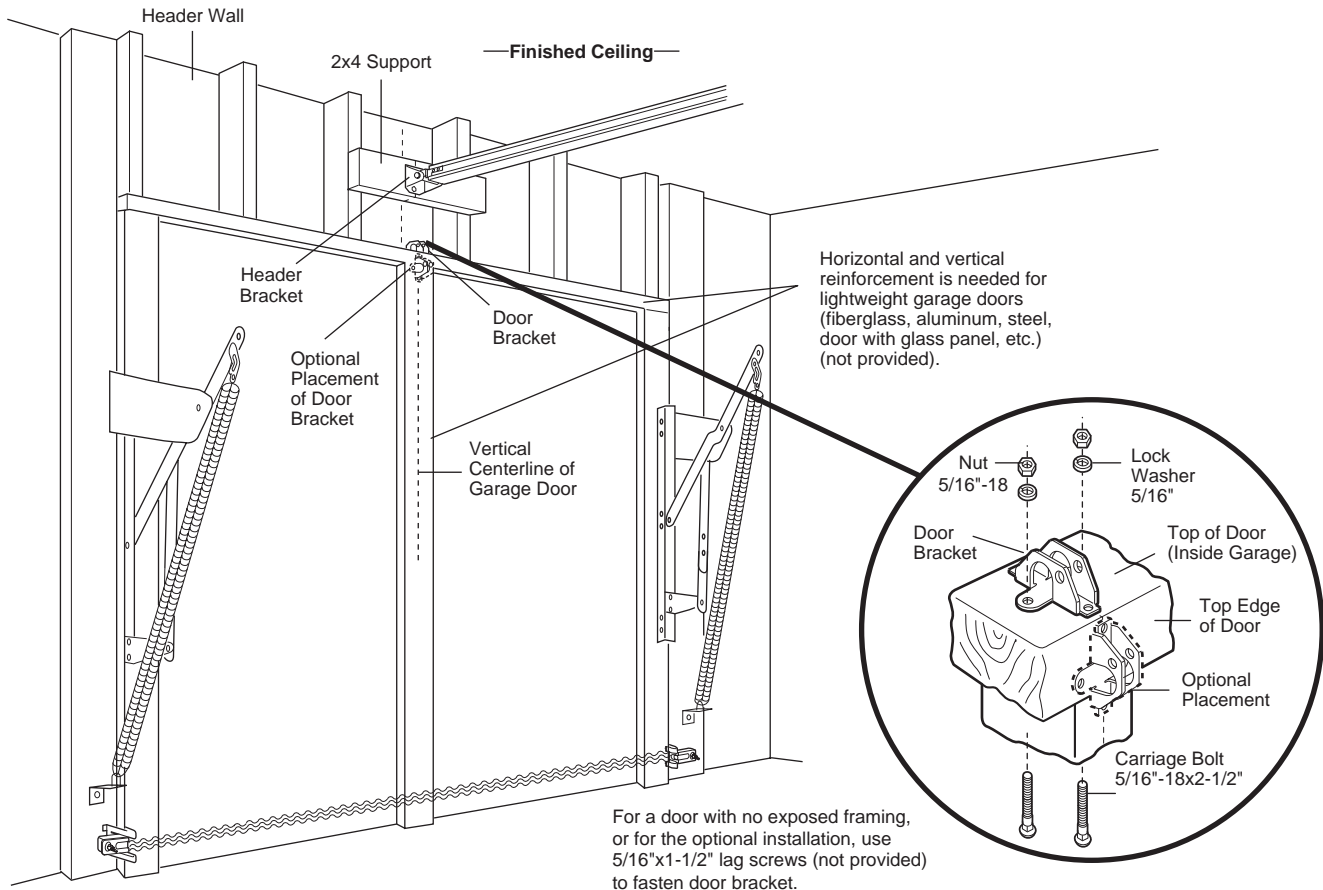
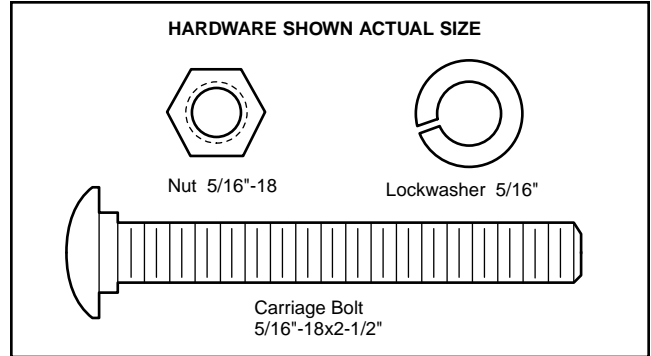
ONE-PIECE DOORS

Please read and comply with the warnings and reinforcement instructions on the previous page. They apply to one-piece doors also.

- Center the door bracket on the top of the door, in line with the header bracket as shown. Mark either the left and right, or the top and bottom holes.
- Drill 5/16" (0.78 cm) pilot holes and fasten the bracket with hardware supplied.

If the door has no exposed framing, drill 3/16" (0.47 cm) pilot holes and fasten the bracket with 5/16"x1-1/2" lag screws (not provided) to the top of the door.

NOTE: The door bracket may be installed on the top edge of the door if required for your installation. (Refer to the dotted line optional placement drawing.) Drill 3/16" (0.47 cm) pilot holes and substitute 5/16"x1-1/2" lag screws (not provided) to fasten the bracket to the door.



INSTALLATION STEP 13

Connect Door Arm to Trolley

Follow instructions which apply to your door type as illustrated below and on the following page.

SECTIONAL DOORS ONLY

- Make sure garage door is fully closed. Pull the emergency release handle to disconnect the outer trolley from the inner trolley. Slide the outer trolley back (away from the door) about 2" (5 cm) as shown in Figures 1, 2 and 3.

• **Figure 1:**

- Fasten straight door arm section to outer trolley with the 5/16"x1" clevis pin. Secure the connection with a ring fastener.
- Fasten curved section to the door bracket in the same way, using the 5/16"x1-1/4" clevis pin.

• **Figure 2:**

- Bring arm sections together. Find two pairs of holes that line up and join sections. Select holes as far apart as possible to increase door arm rigidity.

• **Figure 3, Hole alignment alternative:**

- If holes in curved arm are above holes in straight arm, disconnect straight arm. Cut about 6" (15 cm) from the solid end. Reconnect to trolley with cut end down as shown.
- Bring arm sections together.
- Find two pairs of holes that line up and join with bolts, lock washers and nuts.

- Pull the emergency release handle toward the opener at a 45° angle so that the trolley release arm is horizontal. Proceed to Adjustment Step 1, page 28. Trolley will re-engage automatically when opener is operated.

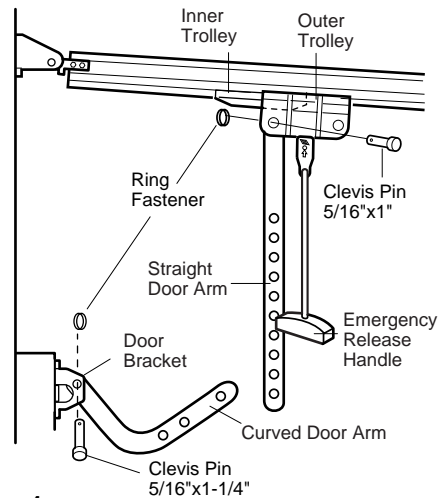


Figure 1

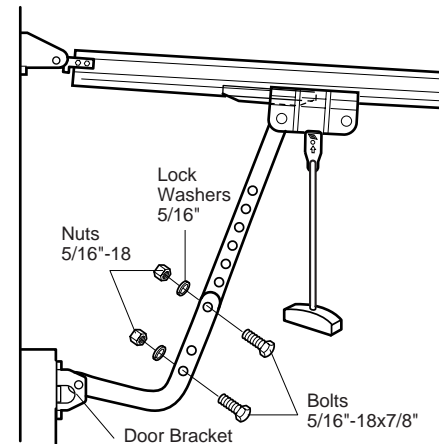


Figure 2

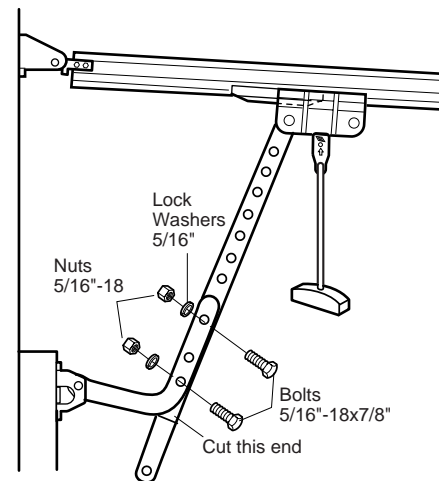
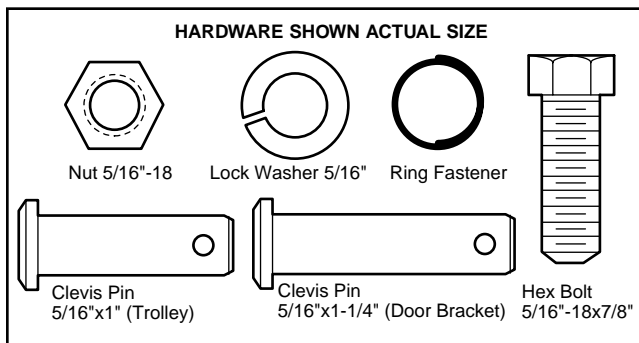
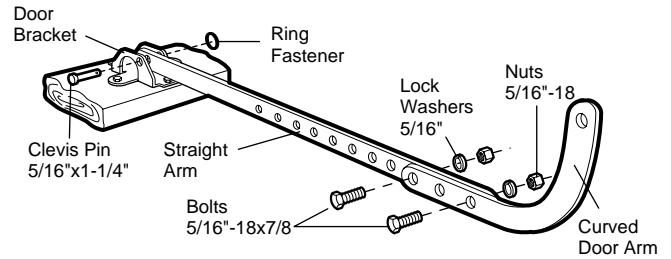


Figure 3

ALL ONE-PIECE DOORS

1. Assemble the door arm:

- Fasten the straight and curved door arm sections together to the longest possible length (with a 2 or 3 hole overlap).
- With the door closed, connect the straight door arm section to the door bracket with the 5/16"x1-1/4" clevis pin.
- Secure with a ring fastener.



2. Adjustment procedures:

On one-piece doors, before connecting the door arm to the trolley, the travel limits must be adjusted. Limit adjustment screws are located on the left side panel as shown on page 28. Follow adjustment procedures below.

• Open door adjustment: decrease UP travel limit

- Turn the UP limit adjustment screw counter-clockwise 5-1/2 turns.
- Press the Door Control push bar. The trolley will travel to the fully open position.
- Manually raise the door to the open position (parallel to the floor), and lift the door arm to the trolley. The arm should touch the trolley just in back of the door arm connector hole. Refer to the fully open trolley/door arm positions in the illustration. If the arm does not extend far enough, adjust the limit further. One full turn equals 2" (5 cm) of trolley travel.

• Closed door adjustment: decrease DOWN travel limit

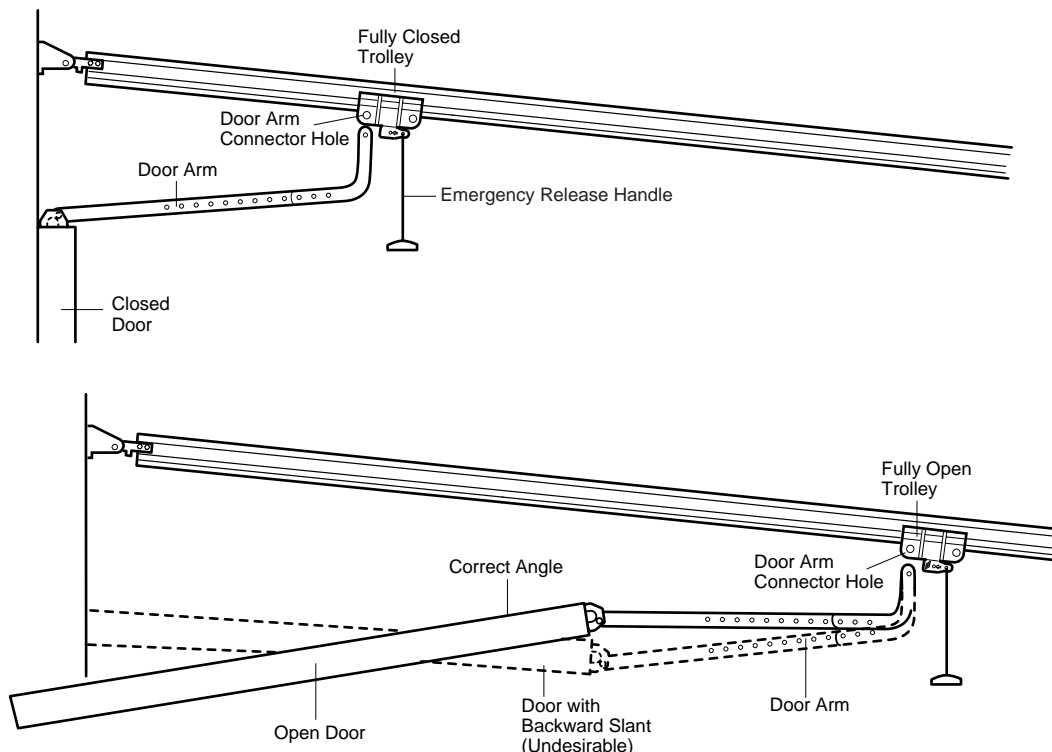
- Turn the DOWN limit adjustment screw clockwise 5 complete turns.

- Press the Door Control push bar. The trolley will travel to the fully closed position.
- Manually close the door and lift the door arm to the trolley. The arm should touch the trolley just ahead of the door arm connector hole. Refer to the fully closed trolley/door arm positions in the illustration. If the arm is behind the connector hole, adjust the limit further. One full turn equals 2" (5 cm) of trolley travel.

3. Connect the door arm to the trolley:

- Close the door and join the curved arm to the connector hole in the trolley with the remaining clevis pin. It may be necessary to lift the door slightly to make the connection.
- Secure with a ring fastener.
- Run the opener through a complete travel cycle. If the door has a slight "backward" slant in full open position as shown in the illustration, decrease the UP limit until the door is parallel to the floor.

NOTE: When setting the up limit on the following page, the door should not have a "backward" slant when fully open as illustrated below. A slight backward slant will cause unnecessary bucking and/or jerking operation as the door is being opened or closed from the fully open position.



ADJUSTMENT STEP 1

Adjust the UP and DOWN Travel Limits

Limit adjustment settings regulate the points at which the door will stop when moving up or down.

To operate the opener, press the Door Control push bar. Run the opener through a complete travel cycle.

- Does the door open and close completely?
- Does the door stay closed and not reverse unintentionally when fully closed?

If your door passes both of these tests, no limit adjustments are necessary unless the reversing test fails (see Adjustment Step 3, page 30).

Adjustment procedures are outlined below. Read the procedures carefully before proceeding to Adjustment Step 2. Use a screwdriver to make limit adjustments. **Run the opener through a complete travel cycle after each adjustment.**

NOTE: Repeated operation of the opener during adjustment procedures may cause the motor to overheat and shut off. Simply wait 15 minutes and try again.

NOTE: If anything interferes with the door's upward travel, it will stop. If anything interferes with the door's downward travel (including binding or unbalanced doors), it will reverse.

HOW AND WHEN TO ADJUST THE LIMITS

- **If the door does not open completely but opens at least five feet (1.50 m):**

Increase up travel. Turn the UP limit adjustment screw clockwise. One turn equals 2" (5 cm) of travel.

- **If door does not open at least 5 feet:**

Adjust the UP (open) force as explained in Adjustment Step 2.

- **If the door does not close completely:**

Increase down travel. Turn the down limit adjustment screw counterclockwise. One turn equals 2" (5 cm) of travel.

If door still won't close completely, try lengthening the door arm (page 26) and decreasing the down limit.

- **If the opener reverses in fully closed position:**

Decrease down travel. Turn the down limit adjustment screw clockwise. One turn equals 2" (5 cm) of travel.

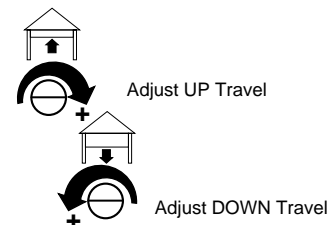
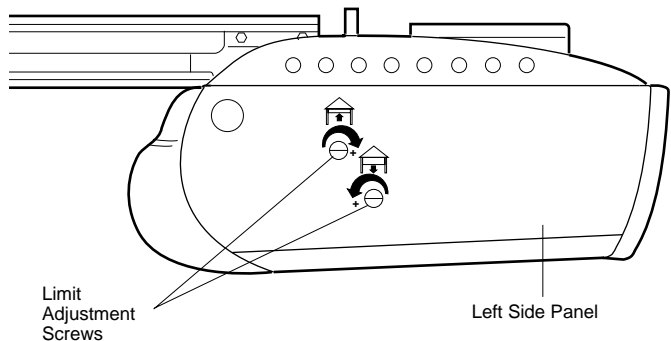
WARNING

Without a properly installed safety reversal system, persons (particularly small children) could be **SERIOUSLY INJURED** or **KILLED** by a closing garage door.

- Incorrect adjustment of garage door travel limits will interfere with proper operation of safety reversal system.
- If one control (force or travel limits) is adjusted, the other control may also need adjustment.
- After ANY adjustments are made, the safety reversal system **MUST** be tested. Door **MUST** reverse on contact with one-inch (2.5) high object (or 2x4 laid flat) on floor.

CAUTION

To prevent damage to vehicles, be sure fully open door provides adequate clearance.



- **If the door reverses when closing and there is no visible interference to travel cycle:**
If the opener lights are flashing, the Safety Reversing Sensors are either not installed, misaligned, or obstructed. See Troubleshooting, page 22.
Test the door for binding: Pull the emergency release handle. Manually open and close the door. If the door is binding or unbalanced, call for a trained door systems technician. If the door is balanced and not binding, adjust the DOWN (close) force. See Adjustment Step 2.

ADJUSTMENT STEP 2

Adjust the Force

Force adjustment controls are located on the back panel of the motor unit. Force adjustment settings regulate the amount of power required to open and close the door.

If the forces are set too light, door travel may be interrupted by nuisance reversals in the down direction and stops in the up direction. Weather conditions can affect the door movement, so occasional adjustment may be needed.

The maximum force adjustment range is about 3/4 of a complete turn. Do not force controls beyond that point. Turn force adjustment controls with a screwdriver.

NOTE: *If anything interferes with the door's upward travel, it will stop. If anything interferes with the door's downward travel (including binding or unbalanced doors), it will reverse.*

HOW AND WHEN TO ADJUST THE FORCES

1. Test the DOWN (close) force

- Grasp the door bottom when the door is about halfway through DOWN (close) travel. The door should reverse. *Reversal halfway through down travel does not guarantee reversal on a one-inch (2.5 cm) obstruction. See Adjustment Step 3, page 30.*

If the door is hard to hold or doesn't reverse, DECREASE the DOWN (close) force by turning the control counterclockwise. Make small adjustments until the door reverses normally. After each adjustment, run the opener through a complete cycle.

- **If the door reverses during the down (close) cycle and the opener lights aren't flashing, INCREASE** DOWN (close) force by turning the control clockwise. Make small adjustments until the door completes a close cycle. After each adjustment, run the opener through a complete travel cycle. *Do not increase the force beyond the minimum amount required to close the door.*

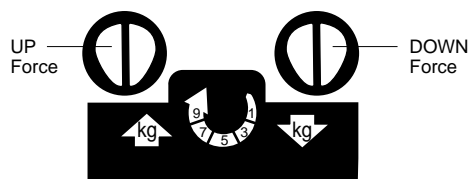
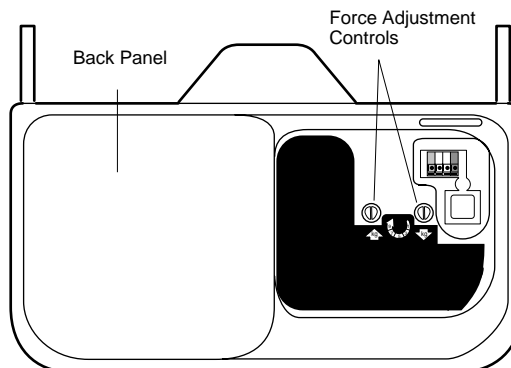
2. Test the UP (open) force

- Grasp the door bottom when the door is about halfway through UP (open) travel. The door should stop. **If the door is hard to hold or doesn't stop, DECREASE** UP (open) force by turning the control counterclockwise. Make small adjustments until the door stops easily and opens fully. After each adjustment, run the opener through a complete travel cycle.
- **If the door doesn't open at least 5 feet (1.5 m), INCREASE** UP (open) force by turning the control clockwise. Make small adjustments until door opens completely. Readjust the UP limit if necessary. After each adjustment, run the opener through a complete travel cycle.

⚠ WARNING

Without a properly installed safety reversal system, persons (particularly small children) could be **SERIOUSLY INJURED** or **KILLED** by a closing garage door.

- Too much force on garage door will interfere with proper operation of safety reversal system.
- **NEVER** increase force beyond minimum amount required to close garage door.
- **NEVER** use force adjustments to compensate for a binding or sticking garage door.
- If one control (force or travel limits) is adjusted, the other control may also need adjustment.
- After **ANY** adjustments are made, the safety reversal system **MUST** be tested. Door **MUST** reverse on contact with one-inch high object (or 2x4 laid flat) on floor.



ADJUSTMENT STEP 3

Test the Safety Reversal System

TEST

- With the door fully open, place a one-inch board (or a 2x4 laid flat) on the floor, centered under the garage door.
- Operate the door in the down direction. The door **must** reverse on striking the obstruction.

ADJUST

- If the door stops on the obstruction, it is not traveling far enough in the down direction. Increase the DOWN limit by turning the DOWN limit adjustment screw counterclockwise 1/4 turn.

NOTE: On a sectional door, make sure limit adjustments do not force the door arm beyond a straight up and down position. See the illustration on page 26.

- Repeat the test.
- When the door reverses on the one-inch board, remove the obstruction and run the opener through 3 or 4 complete travel cycles to test adjustment.

IMPORTANT SAFETY CHECK:

Repeat Adjustment Steps 1, 2 and 3 after:

- Each adjustment of door arm length, limits, or force controls.
- Any repair to or adjustment of the garage door (including springs and hardware).
- Any repair to or buckling of the garage floor.
- Any repair to or adjustment of the opener.

ADJUSTMENT STEP 4

Test the Protector System®

- Press the remote control push button to open the door.
- Place the opener carton in the path of the door.
- Press the remote control push button to close the door. The door will not move more than an inch, and the door control will blink 10 times.

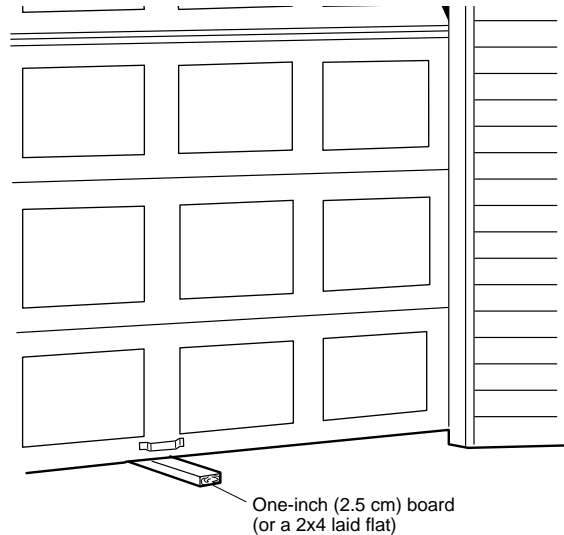
The garage door opener will not close from a remote if the indicator light in either sensor is off (alerting you to the fact that the sensor is misaligned or obstructed).

If the opener closes the door when the safety reversing sensor is obstructed (and the sensors are no more than 6" (15 cm) above the floor), call for a trained door systems technician.

⚠ WARNING

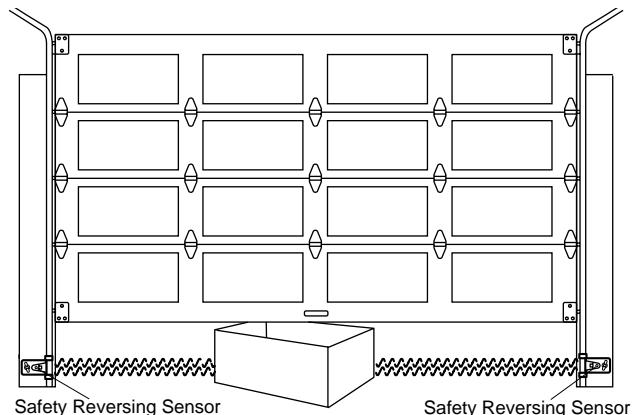
Without a properly installed safety reversal system, persons (particularly small children) could be **SERIOUSLY INJURED** or **KILLED** by a closing garage door.

- Safety reversal system **MUST** be tested every month.
- If one control (force or travel limits) is adjusted, the other control may also need adjustment.
- After **ANY** adjustments are made, the safety reversal system **MUST** be tested. Door **MUST** reverse on contact with one-inch high object (or 2x4 laid flat) on the floor.



⚠ WARNING

Without a properly installed safety reversing sensor, persons (particularly small children) could be **SERIOUSLY INJURED** or **KILLED** by a closing garage door.



OPERATION

IMPORTANT SAFETY INSTRUCTIONS

WARNING

To reduce the risk of severe injury or death:

1. READ AND FOLLOW ALL WARNINGS AND INSTRUCTIONS.
2. ALWAYS keep remote controls out of reach of children. NEVER permit children to operate or play with garage door control push buttons or remote controls.
3. ONLY activate garage door when it can be seen clearly, it is properly adjusted, and there are no obstructions to door travel.
4. ALWAYS keep garage door in sight until completely closed. NO ONE SHOULD CROSS THE PATH OF THE MOVING DOOR.
5. NO ONE SHOULD GO UNDER A STOPPED, PARTIALLY OPEN DOOR.
6. If possible, use emergency release handle to disengage trolley ONLY when garage door is CLOSED. Weak or broken springs or unbalanced door could result in an open door falling rapidly and/or unexpectedly.
7. NEVER use emergency release handle unless garage doorway is clear of persons and obstructions.
8. NEVER use handle to pull garage door open or closed. If rope knot becomes untied, you could fall.
9. If one control (force or travel limits) is adjusted, the other control may also need adjustment.
10. After ANY adjustments are made, the safety reversal system MUST be tested.
11. Safety reversal system MUST be tested every month. Garage door MUST reverse on contact with one-inch (2.5 cm) high object (or a 2 x 4 laid flat) on the floor.
12. ALWAYS KEEP GARAGE DOOR PROPERLY BALANCED (see page 3). An improperly balanced door may not reverse when required and could result in SEVERE INJURY or DEATH.
13. All repairs to cables, spring assemblies and other hardware, all of which are under EXTREME tension, MUST be made by a trained door systems technician.
14. ALWAYS disconnect electric power to garage door opener BEFORE making any repairs or removing covers.
15. **SAVE THESE INSTRUCTIONS.**

Using Your Garage Door Opener

Your Security+ opener and hand-held remote control have been factory-set to a matching code which changes with each use, randomly accessing over 100 billion new codes. Your opener will operate with up to eight Security+ remote controls and one Security+ Keyless Entry System. If you purchase a new remote, or if you wish to deactivate any remote, follow the instructions in the *Programming* section.

Activate your opener with any of the following:

- *The hand-held Remote Control:* Hold the large push button down until the door starts to move.
- *The wall-mounted Door Control:* Hold the push button or bar down until the door starts to move.
- *The Keyless Entry (See Accessories)* If provided with your garage door opener, it must be programmed before use. See *Programming*.

When the opener is activated (with the safety reversing sensor correctly installed and aligned)

1. If open, the door will close. If closed, it will open.
2. If closing, the door will reverse.
3. If opening, the door will stop.
4. If the door has been stopped in a partially open position, it will close.
5. If obstructed while closing, the door will reverse. If the obstruction interrupts the sensor beam, the opener lights will blink for five seconds.

6. If obstructed while opening, the door will stop.
7. If fully open, the door will not close when the beam is broken. The sensor has no effect in the opening cycle.

If the sensor is not installed, or is misaligned, the door won't close from a hand-held remote. However, you can close the door with the Door Control, the Outdoor Key Switch, or Keyless Entry, *if you activate them until down travel is complete*. If you release them too soon, the door will reverse.

The opener lights will turn on under the following conditions: when the opener is initially plugged in; when power is restored after interruption; when the opener is activated.

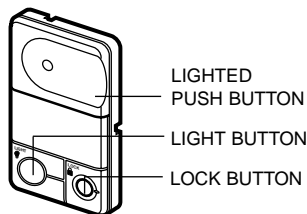
They will turn off automatically after 4-1/2 minutes or provide constant light when the Light feature on the Premium Control Console is activated. Bulb size is 100 watts maximum.

Security+ Light Feature: Lights will also turn on when someone walks through the open garage door. With a Premium Control Console, this feature may be turned off as follows: With the opener lights off, press and hold the light button for 10 seconds, until the light goes on, then off again. To restore this feature, start with the opener lights on, then press and hold the light button for 10 seconds until the light goes off, then on again.

Using the Wall-Mounted Door Control

THE PREMIUM CONTROL CONSOLE

Press the lighted push button to open or close the door. Press again to reverse the door during the closing cycle or to stop the door while it's opening.



Light feature

Press the Light button to turn the opener light on or off. It will not control the opener lights when the door is in motion. If you turn it on and then activate the opener, the light will remain on for 4-1/2 minutes. Press again to turn it off sooner. The 4-1/2 minute interval can be changed to 1-1/2, 2-1/2, or 3-1/2 minutes as follows: Press and hold the Lock button until the light blinks (about 10 seconds). A single blink indicates that the timer is reset to 1-1/2 minutes. Repeat the procedure and the light will blink twice, resetting the timer to 2-1/2 minutes. Repeat again for a 3-1/2 minute interval, etc., up to a maximum of four blinks and 4-1/2 minutes.

Lock feature

Designed to prevent operation of the door from hand-held remote controls. However, the door will open and close from the Door Control, the Outdoor Key Switch and the Keyless Entry Accessories.

To activate, press and hold the Lock button for two seconds. The push button light will flash as long as the Lock feature is on.

To turn off, press and hold the Lock button again for two seconds. The push button light will stop flashing. The Lock feature will also turn off whenever the Learn button on the motor unit panel is activated.

Additional feature when used with the 3-function hand-held remote

To control the opener lights:

In addition to operating the door, you may program the remote to operate the lights.



1. With the door closed, press and hold a small remote button that you want to control the light.
2. Press and hold the Light button on the Premium Control Console.
3. While holding the Light button, press and hold the Lock button on the door control.
4. After the opener lights flash, release all buttons.

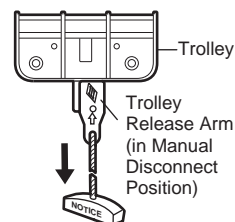
To Open the Door Manually

! WARNING

- To prevent possible **SERIOUS INJURY** or **DEATH** from a falling garage door:
 - If possible, use emergency release handle to disengage trolley **ONLY** when garage door is **CLOSED**. Weak or broken springs or unbalanced door could result in an open door falling rapidly and/or unexpectedly.
 - **NEVER** use emergency release handle unless garage doorway is clear of persons and obstructions.
- **NEVER** use handle to pull door open or closed. If rope knot becomes untied, you could fall.

DISCONNECT THE TROLLEY:

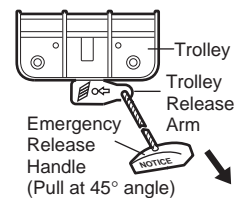
The door should be fully closed if possible. Pull down on the emergency release handle (so that the trolley release arm snaps into a vertical position) and lift the door manually. The *lockout feature* prevents the trolley from reconnecting automatically, and the door can be raised and lowered manually as often as necessary.



Lockout position (Manual disconnect)

TO RE-CONNECT THE TROLLEY:

Pull the emergency release handle toward the opener at a 45° degree angle so that the trolley release arm is horizontal. The trolley will reconnect on the next UP or DOWN operation, either manually or by using the door control or remote.

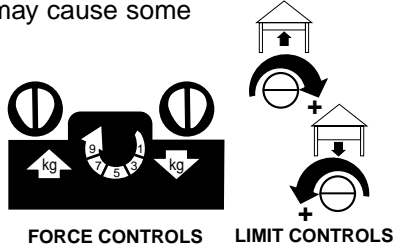


To reconnect

Care of Your Opener

LIMIT AND FORCE ADJUSTMENTS

Weather conditions may cause some minor changes in door operation requiring some re-adjustments, particularly during the first year of operation.



Pages 28 and 29

refer to the limit and force adjustments. Only a screwdriver is required. Follow the instructions carefully.

Repeat the safety reverse test (page 30) after any adjustment of limits or force.

MAINTENANCE SCHEDULE

Once a Month

- Manually operate door. If it is unbalanced or binding, call for professional garage door service.
- Check to be sure door opens & closes fully. Adjust limits and/or force if necessary. (See pages 28 and 29.)
- Repeat the safety reverse test. Make any necessary adjustments. (See page 30.)

Once a Year

- Oil door rollers, bearings and hinges. The opener does not require additional lubrication. Do not grease the door tracks.

THE REMOTE CONTROL BATTERY

⚠ WARNING

To prevent possible **SERIOUS INJURY** or **DEATH**:

- **NEVER** allow small children near batteries.
- If battery is swallowed, immediately notify doctor.

The lithium battery should produce power for up to 5 years. To replace battery, use the visor clip or screwdriver blade to pry open the case as shown. ("Open" location is stamped on back of remote control case.) Insert battery positive side down.

Dispose of old battery properly.



NOTICE: To comply with FCC and or Industry Canada (IC) rules, adjustment or modifications of this receiver and/or transmitter are prohibited, except for changing the code setting or replacing the battery. **THERE ARE NO OTHER USER SERVICEABLE PARTS.** Tested to Comply with FCC Standards FOR HOME OR OFFICE USE. Operation is subject to the following two conditions: (1) this device may not cause harmful interference, and (2) this device must accept any interference received, including interference that may cause undesired operation.

Having a Problem?

1. The opener doesn't operate from either the Door Control or the remote control:

- Does the opener have electric power? Plug a lamp into the outlet. If it doesn't light, check the fuse box or the circuit breaker. (Some outlets are controlled by a wall switch.)
- Have you disabled all door locks? Review installation instruction warnings on page 11.
- Is there a build-up of ice or snow under the door? The door may be frozen to the ground. Remove any restriction.
- The garage door spring may be broken. Have it replaced.
- Repeated operation may have tripped the overload protector in the motor. Wait 15 minutes and try again.

2. Opener operates from the remote, but not from the Door Control:

- Is the door control lit? If not, reverse the wires. If the opener runs, check for a faulty wire connection at the door control, a short under the staples, or a broken wire.
- Are the wiring connections correct? Review *Installation Step 7*, page 21.

3. The door operates from the Door Control, but not from the remote control:

- Is the door push button flashing? If your model has the Lock feature, make sure it is off.
- Program the opener to match the remote control code. (Refer to instructions on the motor unit panel.) Repeat with all remotes.

4. The remote control has short range:

- Change the location of the remote control in your car.
- Check to be sure the antenna on the side or back panel of motor unit extends fully downward.
- Some installations may have shorter range due to a metal door, foil backed insulation, or metal garage siding. (Antenna Extender Kit 41A3504)

5. Opener noise is disturbing in living quarters of home:

- If operational noise is a problem because of proximity of the opener to the living quarters, the Vibration Isolator Kit 41A3263 can be installed. This kit was designed to minimize vibration to the house and is easy to install.

6. The garage door opens and closes by itself:

- Be sure that all remote control push buttons are off.
- Remove the bell wire from the door control terminals and operate from the remote only. If this solves the problem, the door control is faulty (replace), or there is an intermittent short on the wire between the door control and the motor unit.
- Clear memory and re-program all remote controls.

7. The door doesn't open completely:

- Is something obstructing the door? Is it out of balance, or are the springs broken? Remove the obstruction or repair the door.
- If the door is in good working order but now doesn't open all the way, increase the up force. See *Adjustment Step 2*.
- If the door opens at least 5 feet, the travel limits may need to be increased. One turn equals 2 inches of travel. See *Adjustment Step 1*.

Repeat the safety reverse test after the adjustment is complete.

8. The door stops but doesn't close completely:

- Review the travel limits adjustment procedures on page 28.

Repeat the safety reverse test after any adjustment of door arm length, close force or down limit.

9. The door opens but won't close:

- If the opener lights blink, check the safety reversing sensor. See *Installation Step 9*.
- If the opener lights don't blink and it is a new installation, check the down force. See *Adjustment Step 2*. For an existing installation, see below.

Repeat the safety reverse test after the adjustment is complete.

10. The door reverses for no apparent reason and opener lights don't blink:

- Is something obstructing the door? Pull the emergency release handle. Operate the door manually. If it is unbalanced or binding, call for professional garage door service.
- Clear any ice or snow from the garage floor area where the door closes.
- Review *Adjustment Step 2*.
- If door reverses in the fully closed position, decrease the travel limits (*Adjustment Step 1*).

Repeat safety reverse test after adjustments to force or travel limits. The need for occasional adjustment of the force and limit settings is normal. Weather conditions in particular can affect door travel.

11. The door reverses for no apparent reason and opener lights blink for 5 seconds after reversing:

- Check the safety reversing sensor. Remove any obstruction or align the receiving eye. See *Installation Step 9*.

12. The opener lights don't turn on:

- Replace the light bulbs (100 watts maximum). Use a standard neck garage door opener bulb if regular bulb burns out.

13. The opener lights don't turn off:

- Is the Light feature on? Turn it off.

14. The opener strains or maximum force is needed to operate door:

- The door may be out of balance or the springs may be broken. **Close the door** and use the emergency release handle to disconnect the trolley. Open and close the door manually. A properly balanced door will stay in any point of travel while being supported entirely by its springs. If it does not, disconnect the opener and call a professional garage door serviceman. **Do not increase the force to operate the opener.**

15. The opener motor hums briefly, then won't work:

- The garage door springs may be broken. See above.
- If the problem occurs on the first operation of the opener, door may be locked. Disable the door lock.

Repeat the safety reverse test after the adjustment is complete.

16. The opener won't operate due to power failure:

- Use the emergency release handle to disconnect the trolley. The door can be opened and closed manually. When power is restored, press the Door Control push button and trolley will automatically reconnect (unless trolley is in lockout position.) See page 32.
- The Emergency Key Release accessory (for use on garages with no service door) disconnects the trolley from outside the garage in case of power failure.

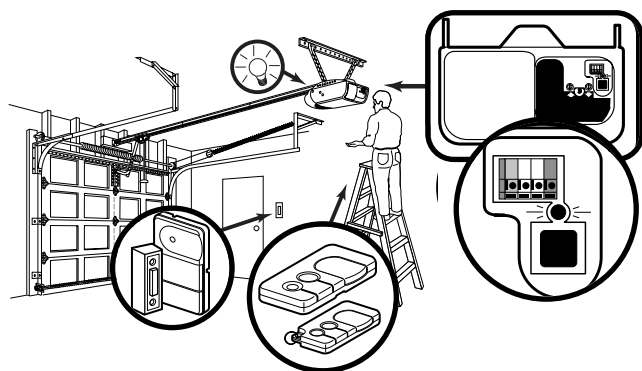
PROGRAMMING

Your garage door opener has already been programmed at the factory to operate with your hand-held remote control. The door will open and close when you press the large push button.

Below are instructions for programming your opener to operate with additional Security+ remote controls.

To Add an Additional Hand-held Remote Control

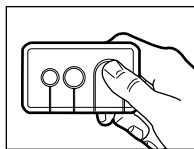
USING THE "LEARN" BUTTON



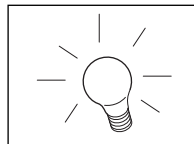
1. Press and release the "learn" button on the motor unit. The learn indicator light will glow steadily for 30 seconds.



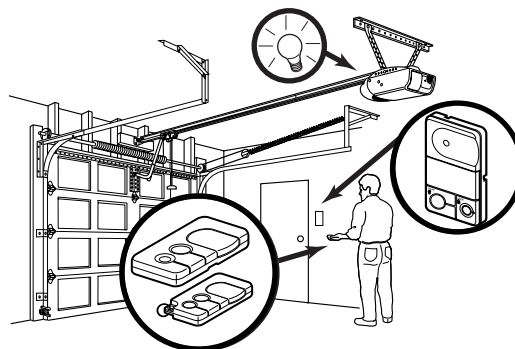
2. Within 30 seconds, press and hold the button on the hand-held remote* that you wish to operate your garage door.



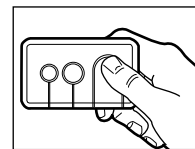
3. Release the button when the motor unit lights blink. It has learned the code. If light bulbs are not installed, two clicks will be heard.



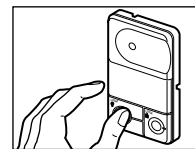
USING THE PREMIUM CONTROL CONSOLE



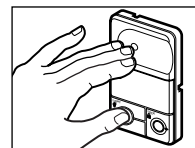
1. Press and hold the button on the hand-held remote* that you wish to operate your garage door.



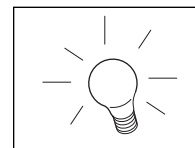
2. While holding the remote button, press and hold the LIGHT button on the Premium Control Console.



3. Continue holding both buttons while you press the push bar on the Premium Control Console (all three buttons are held).



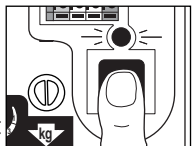
4. Release buttons when the motor unit lights blink. It has learned the code. If light bulbs are not installed, two clicks will be heard.



To Erase All Codes From Motor Unit Memory

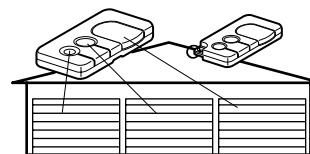
To deactivate any unwanted remote, first erase all codes:

Press and hold the "learn" button on motor unit until the learn indicator light goes out (approximately 6 seconds). All previous codes are now erased. Reprogram each remote or keyless entry you wish to use.



*Multi-Function Remotes

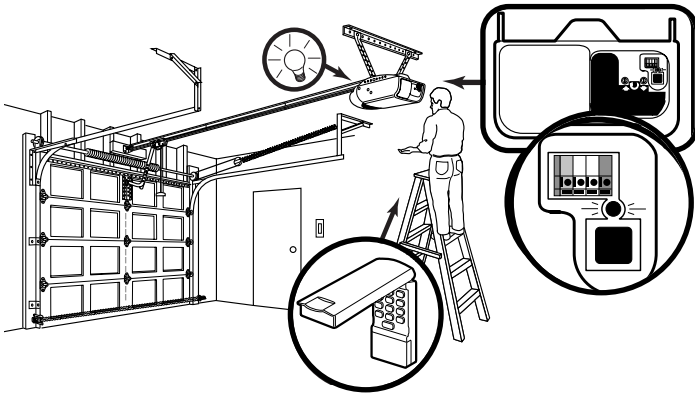
If provided with your garage door opener, the large button is factory programmed to operate it. Additional buttons on any Security+ multi-function remote or mini-remote can be programmed to operate other Security+ garage door openers.



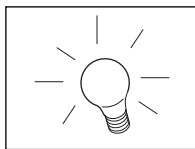
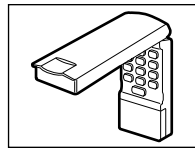
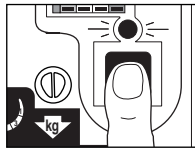
To Add or Change a Keyless Entry PIN

NOTE: Your new Keyless Entry must be programmed to operate your garage door opener.

USING THE "LEARN" BUTTON



1. Press and release the "learn" button on motor unit. The learn indicator light will glow steadily for 30 seconds.
2. Within 30 seconds, enter a four digit personal identification number (PIN) of your choice on the keypad. Then press and hold the ENTER button.
3. Release the button when the motor unit lights blink. It has learned the code. If light bulbs are not installed, two clicks will be heard.



To change an existing, known PIN

If the existing PIN is known, it may be changed by one person without using a ladder.

1. Press the four buttons for the present PIN, then press and hold the # button.

The opener light will blink twice. Release the # button.

2. Press the new 4-digit PIN you have chosen, then press Enter.

The motor unit lights will blink once when the PIN has been learned.

Test by pressing the new PIN, then press Enter. The door should move.

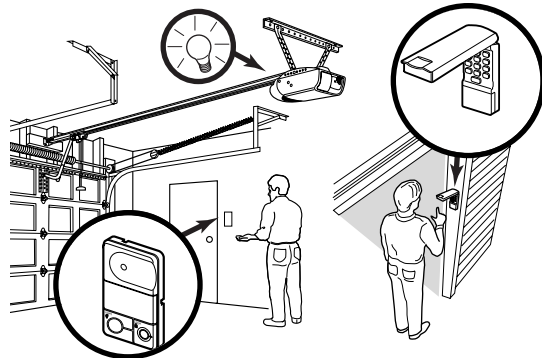
To set a temporary PIN

You may authorize access by visitors or service people with a temporary 4-digit PIN. After a programmed number of hours or number of accesses, this temporary PIN expires and will no longer open the door. It can be used to *close* the door even after it has expired. To set a temporary PIN:

1. Press the four buttons for your personal entry PIN (not the last temporary PIN), then press and hold the * button.

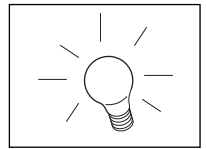
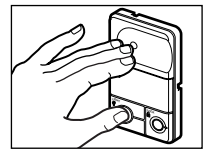
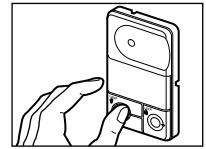
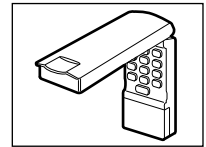
The opener light will blink three times. Release the button.

USING THE PREMIUM CONTROL CONSOLE



NOTE: This method requires two people if the Keyless Entry is already mounted outside the garage.

1. Enter a four digit personal identification number (PIN) of your choice on the keypad. Then press and hold ENTER.
2. While holding the ENTER button, press and hold the LIGHT button on the Premium Control Console.
3. Continue holding the ENTER and LIGHT buttons while you press the push bar on the Premium Control Console (all three buttons are held).
4. Release buttons when the motor unit lights blink. It has learned the code. If light bulbs are not installed, two clicks will be heard.



2. Press the temporary 4-digit PIN you have chosen, then press Enter.

The opener light will blink four times.

3. To set the number of **hours** this temporary PIN will work, press the number of hours (up to 255), then press *.

OR

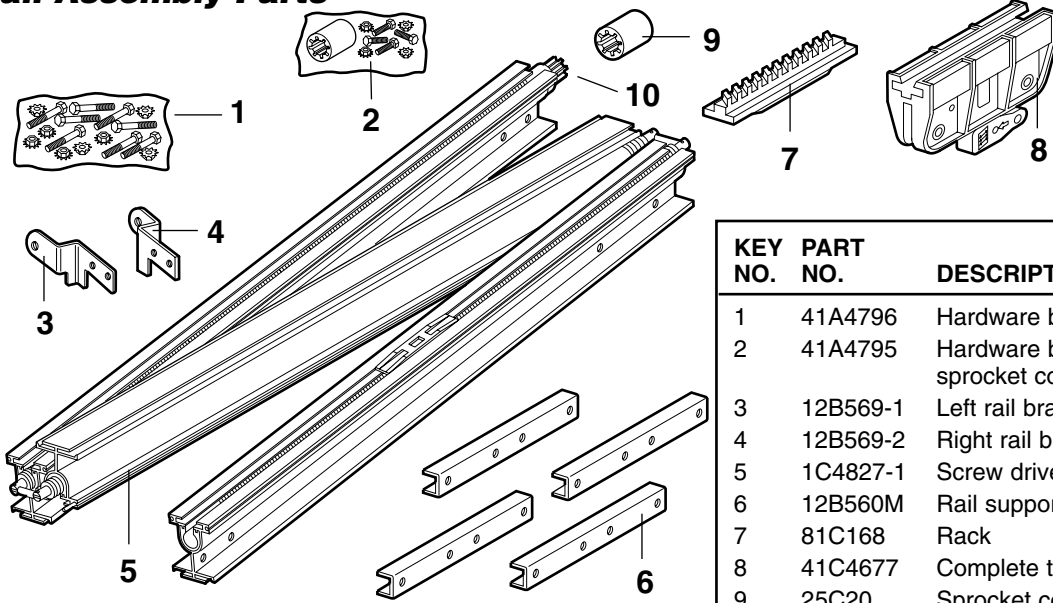
3. To set the number of **times** this temporary PIN will work, press the number of times (up to 255), then press #.

The opener light will blink once when the temporary PIN has been learned.

Test by pressing the four buttons for the temporary PIN, then press Enter. The door should move. If the temporary PIN was set to a certain number of openings, remember that the test has used up one opening. To clear the temporary password, repeat steps 1-3, setting the number of hours or times to 0 in step 3.

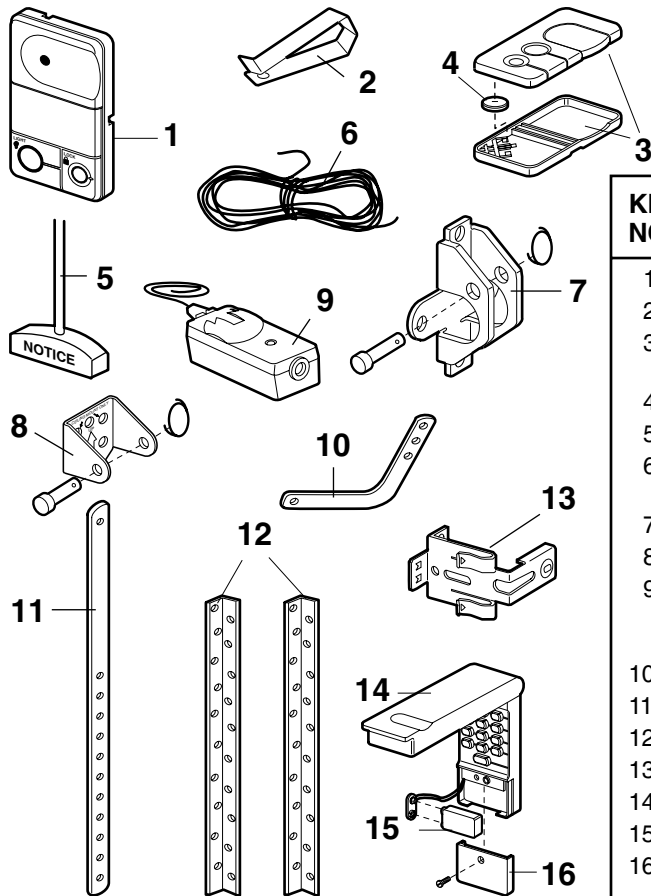
REPAIR PARTS

Rail Assembly Parts



| KEY NO. | PART NO. | DESCRIPTION |
|---------|----------|---|
| 1 | 41A4796 | Hardware bag |
| 2 | 41A4795 | Hardware bag (includes sprocket coupling) |
| 3 | 12B569-1 | Left rail bracket |
| 4 | 12B569-2 | Right rail bracket |
| 5 | 1C4827-1 | Screw drive rail assembly |
| 6 | 12B560M | Rail support braces (4) |
| 7 | 81C168 | Rack |
| 8 | 41C4677 | Complete trolley assembly |
| 9 | 25C20 | Sprocket coupling |
| 10 | 41A4836 | Drive sprocket kit |

Installation Parts

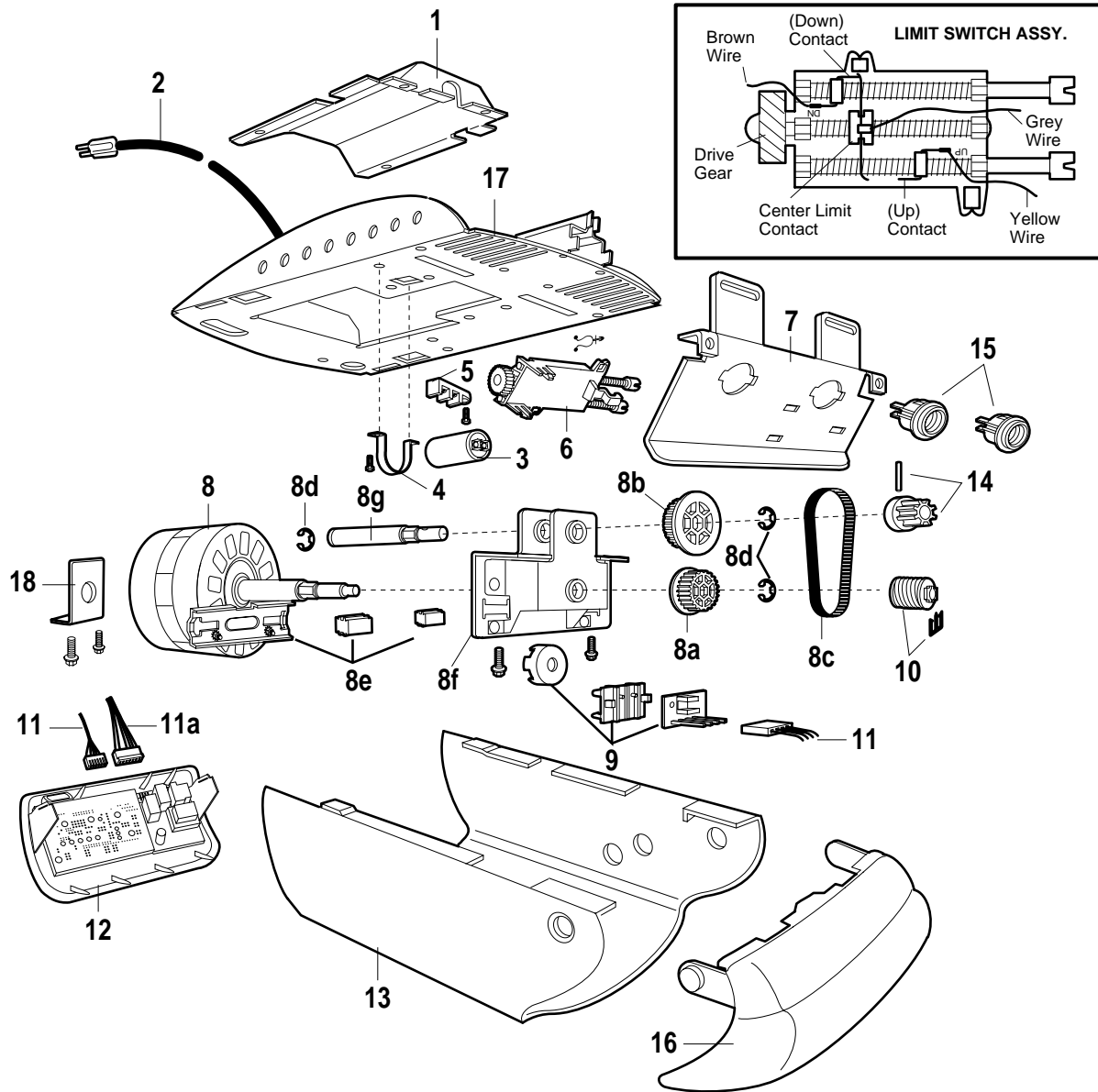


| KEY NO. | PART NO. | DESCRIPTION |
|---------|-----------|--|
| 1 | 41A4884 | Premium control console |
| 2 | 29B137 | Visor clip |
| 3 | 41A5076 | 3-function remote control case (no circuit board) |
| 4 | 10A20 | 3V 2032 Lithium battery (1 required) |
| 5 | 41A2828 | Emergency release rope & handle assy. |
| 6 | 217A238 | 2-Conductor bell wire: white & white/red |
| 7 | 41A5047 | Door bracket w/clevis pin & fastener |
| 8 | 41A4353 | Header bracket w/clevis pin & fastener |
| 9 | 41A5034 | Safety sensor kit: receiving and sending eyes with 3' 2-conductor bell wire attached |
| 10 | 178B35 | Curved door arm section |
| 11 | 178B34 | Straight door arm section |
| 12 | 12B350 | Hanging brackets |
| 13 | 41A5266-1 | Safety sensor bracket |
| 14 | 31D431 | Keyless entry keypad cover |
| 15 | 31B430 | Keyless entry battery cover |
| 16 | 10A2 | 9 Volt battery |

NOT SHOWN

| | |
|-----------|--|
| 41A4675-5 | Installation hardware bag (see page 7) |
| 114A2726 | Owner's manual |

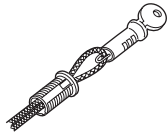
Motor Unit Assembly Parts



| KEY NO. | PART NO. | DESCRIPTION | KEY NO. | PART NO. | DESCRIPTION |
|---------|----------|-------------------------------------|---------|------------|----------------------------|
| 1 | 31D477 | Drive shaft cover | 8f | 41A5394 | Assy. bracket motor mount |
| 2 | 41B4245 | Line cord | 8g | 81B170-1 | Shaft limit worm |
| 3 | 30B363 | Capacitor – 1/2 HP | 9 | 41C4672 | Screw drive RPM kit |
| 4 | 12A373 | Capacitor bracket | 10 | 41A4837-1 | Worm gear and retainer |
| 5 | 41A3150 | Terminal block w/screws | 11 | 41C5417 | Low voltage wire harness |
| 6 | 41D4671 | Limit switch assembly | 11a | 41C5416 | High voltage wire harness |
| 7 | 12D630 | Bracket: light socket, limit switch | 12 | 41A5389C | Receiver logic board assy. |
| 8 | 41A5388 | Motor drive assy complete with: | 13 | 41A5490-13 | Cover |
| 8a | 144B41 | 22T Pulley | 14 | 41C22-1 | Drive coupling hub |
| 8b | 144B42 | 28T Pulley | 15 | 175C147 | Light socket |
| 8c | 20B17 | Drive belt | 16 | 108D60 | Light lens |
| 8d | 158A69 | Retainer rings | 17 | 41A5387 | Chassis with rail bracket |
| 8e | 41C556 | Isolator bracket spacers | 18 | 12B654 | Motor support bracket |

ACCESSORIES

139.53702



Emergency Key Release:

Required for a garage with NO access door. Enables homeowner to open garage door manually from outside by disengaging trolley.

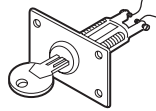
139.53681



SECURITY+ 3-Function Remote Control:

Includes visor clip.

139.53703



Outdoor Key Switch:

Operates the garage door automatically from outside when remote control is not handy.

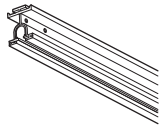
139.53680



SECURITY+ Compact 3-Function Remote Control:

With loop for attaching key ring.

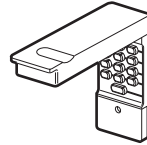
139.53404



8 Foot Rail Extension:

To allow an 8 foot door to open fully.

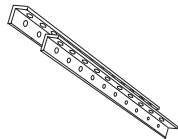
139.53684



SECURITY+ Keyless Entry:

Enables homeowner to operate garage door opener from outside by entering a password. Also can add a temporary password for visitors or service persons.

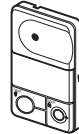
139.53589



Support Brackets:

For finished ceilings or where additional support is required, based on garage construction. Includes brackets and fastening hardware.

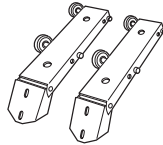
139.53687



Premium Control Console:

Provides a lock feature to prevent operation of garage door from portable remotes. A light feature controls the opener lights. Can be used to program the opener to accept additional remotes.

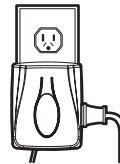
139.53709



**Door Clearance Brackets:
(For Sectional Doors Only)**

Replaces top brackets and rollers on door to reduce height of door travel. For use when installing opener in garage with low headroom clearance.

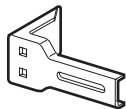
139.53686



Plug-In Light Control:

Enables homeowner to turn on a lamp, television or other appliance from car, bedside, or anywhere in the home with a remote.

41A5281



**Extension Brackets:
(Available only through Sears
Parts & Service)**

(Optional) For safety sensor installation onto the wall or floor.

WARRANTY

SEARS WARRANTY

FULL 90-DAY WARRANTY ON GARAGE DOOR OPENER

For 90 days from the date of purchase, Sears will repair this Garage Door Opener, free of charge, if defective in material or workmanship.

LIMITED WARRANTY

From the 91st day until 3 years from the date of purchase, Sears will furnish replacement parts for any defective parts, free of charge. You pay for labor.

LIMITED WARRANTY ON MOTOR

1/2HP MOTOR: After 1 year and through 7 years, if the motor on this Garage Door Opener is defective, Sears will furnish a replacement motor, free of charge. You pay for labor.

LIMITATION ON LIABILITY

SEARS WILL NOT BE LIABLE FOR LOSS OR DAMAGE TO PROPERTY OR ANY INCIDENTAL OR CONSEQUENTIAL LOSS OR EXPENSE FROM PROPERTY DAMAGE DUE DIRECTLY OR INDIRECTLY TO THE USE OF THIS PRODUCT. Some states do not allow the exclusion or limitation of incidental or consequential damages, so the above limitation or exclusion may not apply to you.

This warranty does not cover light bulbs or repair parts necessary because of operator abuse or negligence, including the failure to install, adjust and operate this garage door opener according to instructions contained in the owner's manual.

WARRANTY SERVICE IS AVAILABLE BY CONTACTING THE NEAREST SEARS SERVICE CENTER IN THE UNITED STATES.

This warranty applies only while this product is in use in the United States.

This warranty gives you specific legal rights, and you may also have other rights which vary from state to state.

Sears, Roebuck and Co., Dept. 817WA, Hoffman Estates, IL 60179

CONTENIDO

| | | | |
|--|--------------|---|--------------------|
| Introducción | 2-7 | Sección de Ajustes | 28-30 |
| Revisión de los símbolos y términos de seguridad | 2 | Ajuste el límite del recorrido | 28 |
| Preparación de la puerta de su cochera | 3 | Ajuste la fuerza | 29 |
| Herramientas necesarias | 3 | Pruebe el sensor del sistema de reversa de seguridad | 30 |
| Planificación | 4-5 | Pruebe el sistema de reversa de seguridad | 30 |
| Inventario de las cajas de cartón | 6 | Operación | 31-34 |
| Inventario de piezas | 7 | Instrucciones de seguridad para la operación | 31 |
| Montaje | 8-11 | Cómo usar el abridor de la puerta de su cochera | 31 |
| Montaje del riel | 8-9 | Cómo usar la unidad de control de pared | 32 |
| Sujete el riel al motor e instale el trole | 10 | Cómo abrir la puerta manualmente | 32 |
| Coloque las ménsulas del riel | 11 | Mantenimiento de su abridor de puerta de cochera | 33 |
| Instalación | 11-27 | Si tiene algún problema? | 34 |
| Instrucciones de seguridad para la instalación | 11 | Cómo programar el abridor | 35-36 |
| Determine dónde va a instalar la ménsula del cabezal | 12-13 | Cómo usar un control remoto de mano | 35 |
| Instale la ménsula del cabezal | 14 | Cómo borrar o renovar los códigos de seguridad | 35 |
| Coloque el riel en la ménsula del cabezal | 15 | Controles remotos de funciones múltiples | 35 |
| Instale los sensores del sistema de reversa de seguridad | 16-18 | Cómo añadir o modificar un código de entrada sin llave | 36 |
| Coloque el abridor | 19 | Accesorios | 37 |
| Cuelgue el abridor | 20 | Garantía | 37 |
| Instale la unidad de control de la puerta y conecte el cableado | 21 | Números de Servicio | Contra tapa |
| Requisitos para la instalación eléctrica | 22 | | |
| Termine la instalación de todos los sensores | 22 | | |
| Instale las luces y la lente | 23 | | |
| Instale la manija y la cuerda de emergencia | 23 | | |
| Sujete la ménsula de la puerta | 24-25 | | |
| Conecte el brazo de la puerta al trole | 26-27 | | |

INTRODUCCIÓN

Revisión de los símbolos y términos de seguridad

Este abridor de puerta de cochera ha sido diseñado para un funcionamiento seguro, siempre y cuando se instale, se pruebe, se opere y se le dé mantenimiento como se indica a lo largo de este manual, cumpliendo al pie de la letra con todas las advertencias e instrucciones generales aquí contenidas.

ADVERTENCIA

Mecánica

ADVERTENCIA

Eléctrica

PRECAUCIÓN

Estas advertencias y/o símbolos de seguridad que aparecen a lo largo de este manual le alertarán de que existe el riesgo de **una lesión seria o de muerte** si no se siguen las instrucciones correspondientes. El peligro puede ser eléctrico (electrocución) o mecánico. Lea las instrucciones con mucho cuidado.

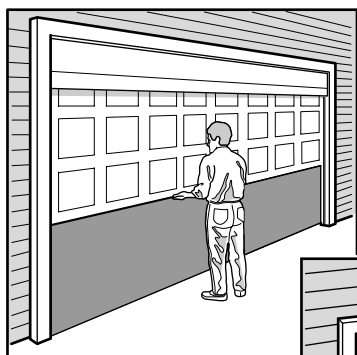
Cuando vea esta palabra y/o símbolo de seguridad a lo largo de este manual le alertará de que existe el riesgo de dañar la puerta de la cochera y/o el abridor si no se siguen las instrucciones correspondientes. Lea las instrucciones con mucho cuidado.

Preparación de la puerta de su cochera

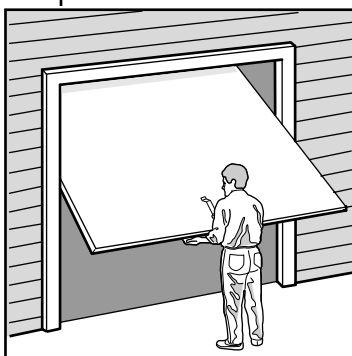
Antes de comenzar:

- Desarme las cerraduras.
- Retire cualquier cuerda o cable que esté conectado a la puerta.
- **Haga la siguiente prueba** con su puerta para verificar que esté equilibrada y que no se atore ni se pandee:
 1. Levante la puerta hasta la mitad de su recorrido como se muestra. Suelte la puerta ésta deberá mantenerse en esa posición con sólo el soporte de los resortes.
 2. Suba y baje la puerta; observe si se atora con algo o si se pandea.

Si su puerta se atora o se pandea, llame a un técnico especializado en sistemas de puertas.



Puerta seccional



Puerta de una sola pieza

⚠ ADVERTENCIA

Para evitar una LESIÓN GRAVE O INCLUSO LA MUERTE:

- SIEMPRE llame a un técnico profesional para que le dé servicio a su puerta de cochera si ésta se atora, se pandea, o está desequilibrada. Una puerta de cochera que no esté bien equilibrada puede no retroceder como se requiere.
- NUNCA intente aflojar, mover ni ajustar la puerta de su cochera, los resortes de la puerta, los cables, las poleas, las ménsulas ni la tornillería, pues todos estos elementos están bajo tensión EXTREMA.
- Quitar TODOS los seguros y retirar TODAS las cuerdas conectadas a la puerta de cochera ANTES de instalar y operar el abridor de la puerta de cochera para evitar que se enreden.

PRECAUCIÓN

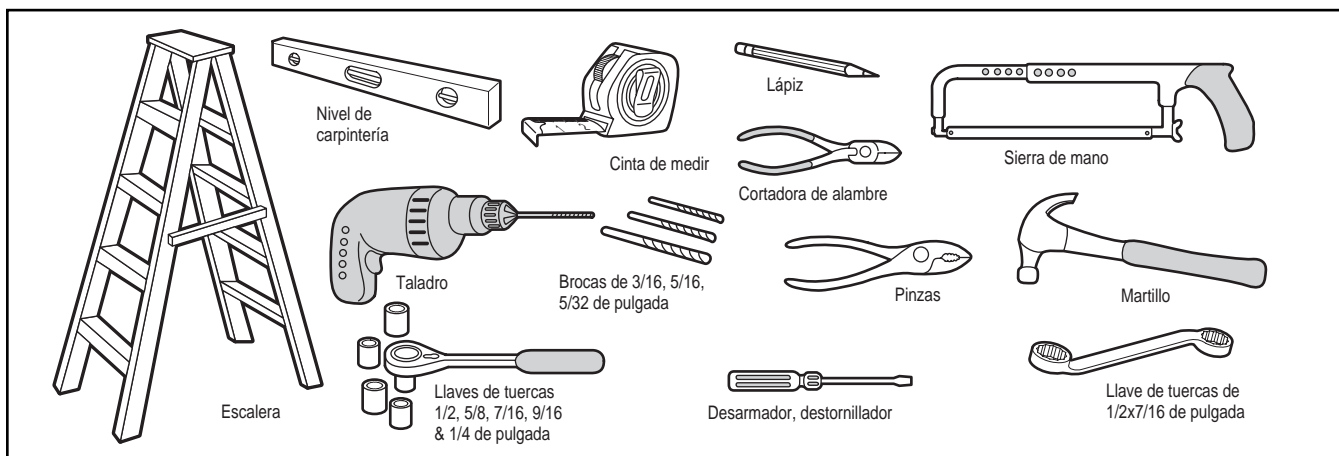
Para evitar daños a la puerta y al abridor:

- SIEMPRE desarme las cerraduras ANTES de instalar y/o de operar el abridor.
- SOLAMENTE opere el abridor de puerta de cochera con corriente de 120V 60 Hz con objeto de evitar su mal funcionamiento y que el abridor se dañe.

ESPAÑOL

Herramientas necesarias

Durante el montaje, instalación y ajuste del abridor, las instrucciones le indicarán usar las herramientas que aparecen en la siguiente ilustración.



Planificación

Identifique la altura y el tipo de su puerta de cochera. Revise el área de su cochera y observe si alguna de las siguientes instalaciones corresponden a la suya. A veces se requieren materiales adicionales, así que tal vez sea conveniente tener esta hoja y las ilustraciones correspondientes a la mano cuando inicie la instalación de su abridor.

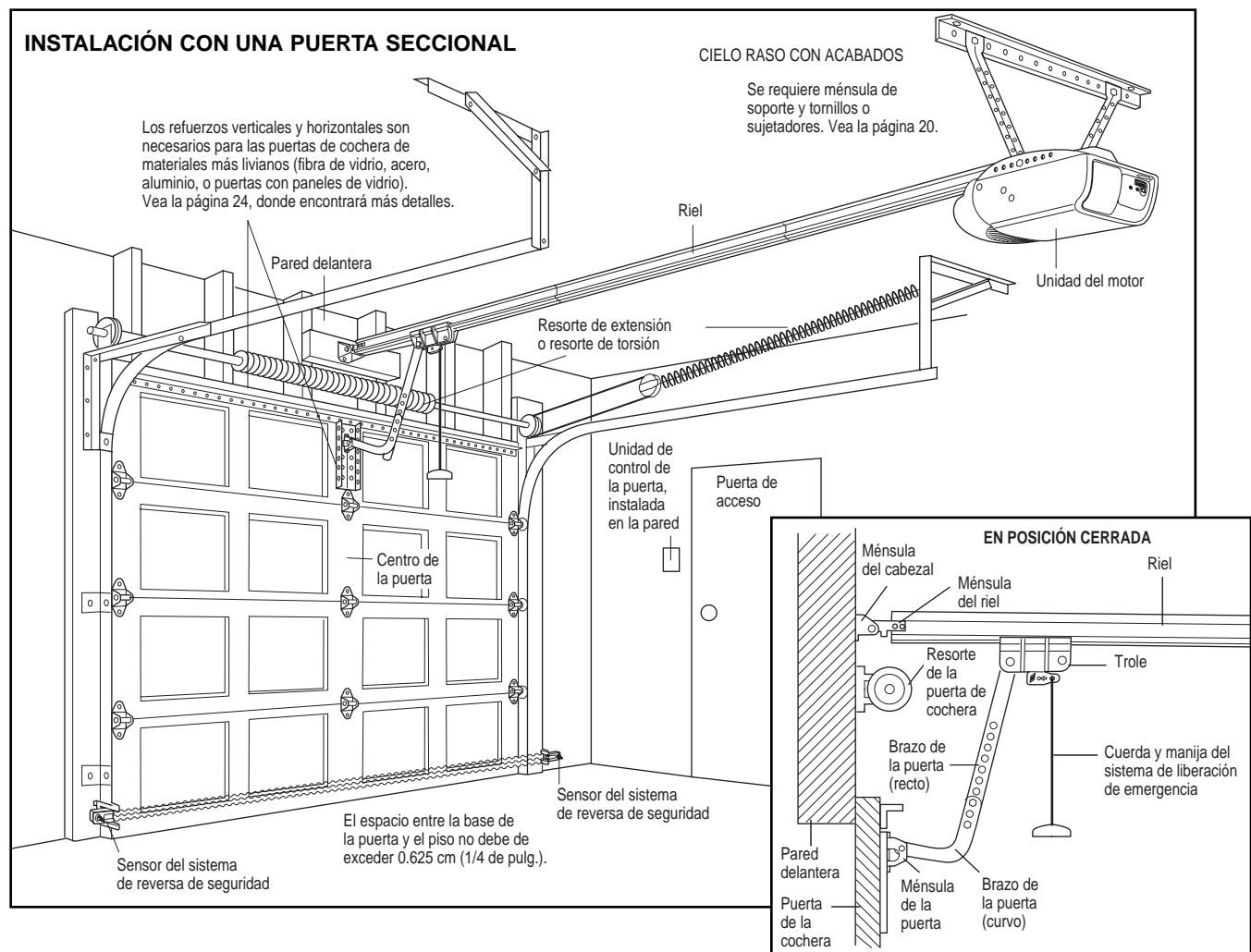
Dependiendo de sus necesidades individuales, es posible que en algunos casos vaya a necesitar materiales o herramientas que no se incluyen con este producto.

- Instalación Paso 1 – Observe la pared o el cielo raso justo arriba de la puerta de la cochera. La ménsula del cabezal debe de estar firmemente sujeta a los soportes de la estructura.
- Instalación Paso 6 – Si el plafón o cielo raso de su cochera tiene acabados, es posible que necesite una ménsula de soporte y/o más pernos y tornillería para la instalación.
- Instalación Paso 4 – Dependiendo del tipo de construcción de su cochera, es posible que necesite ménsulas de extensión o bloques de madera para instalar los sensores.
- Instalación Paso 4 – El montaje al ras del piso del sensor que activa el sistema de reversa de seguridad podría requerir piezas que no se incluyen.

- ¿Hay otra puerta que dé acceso a la cochera? Si no es así, será necesario contar con el sistema de llave de emergencia Modelo 53702. Vea la página de Accesorios.
- Observe el punto donde la puerta hace contacto con el piso. El espacio entre la base de la puerta y el piso no debe exceder 0.625 cm (1/4 de pulgada). Si no es así, se corre el riesgo de que el sistema de reversa de emergencia no funcione correctamente. Vea Ajustes, Paso 3. Va a ser necesario reparar ya sea el piso o la puerta.

INSTALACIÓN CON UNA PUERTA SECCIONAL

- Si tiene una puerta de aluminio, fibra de vidrio, o con paneles de vidrio, va a necesitar refuerzos verticales y horizontales en la puerta. (Instalación, Paso 12).
- El abridor se debe instalar arriba del centro de la puerta, pero si existe algún resorte de tensión o placa de apoyo en el paso de la ménsula del cabezal, se puede instalar hasta a 1.20 m (4 pies) a la derecha o a la izquierda del centro de la puerta. Vea Instalación, Pasos 1 al 12.
- Si su puerta es de más de 2.10 m (7 pies) de altura, vea Extensiones de riel en la Sección de Accesorios.



Planificación (continúa)

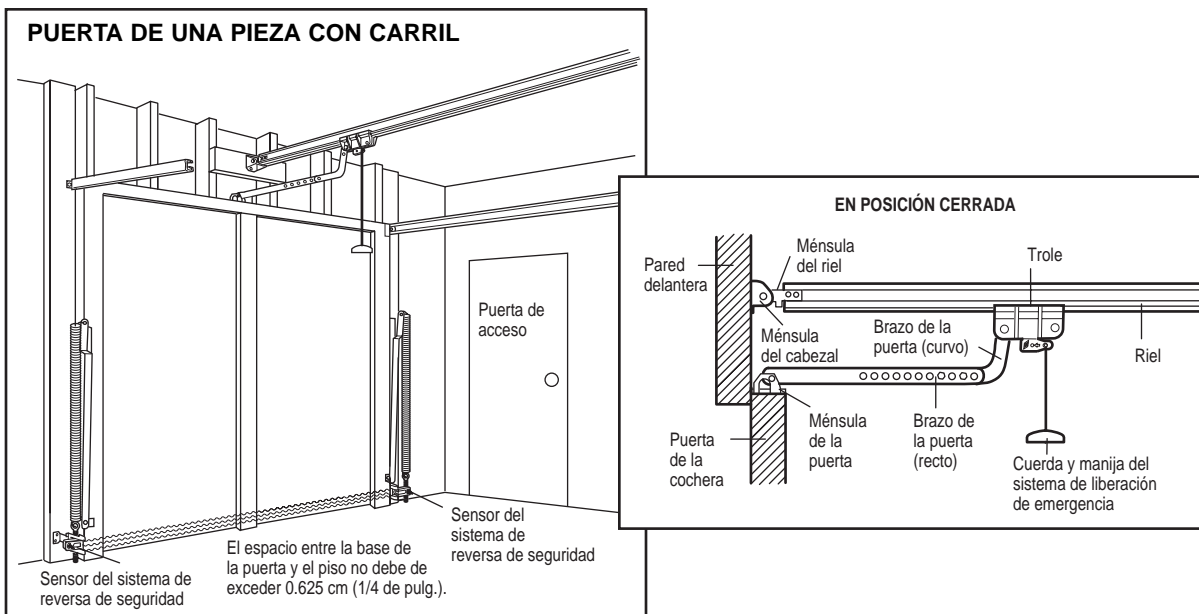
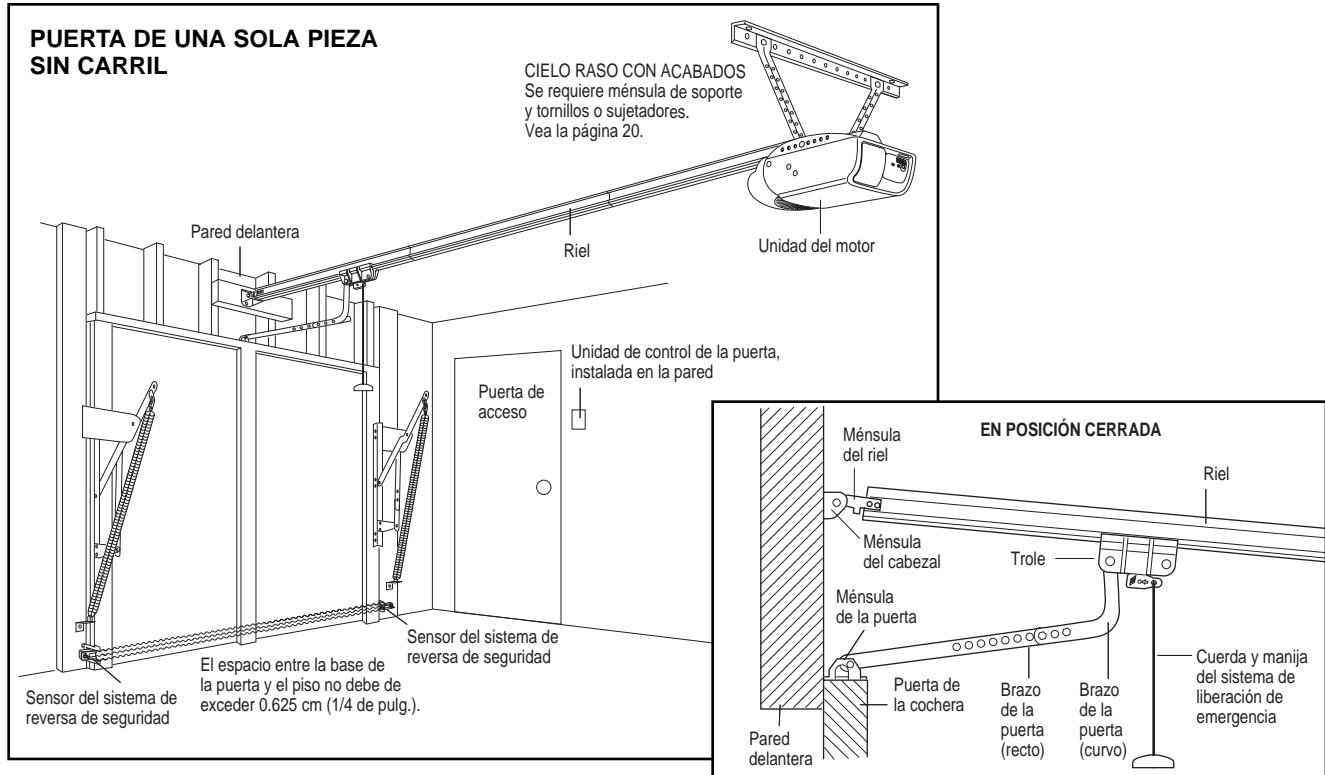
INSTALACIÓN CON PUERTAS DE UNA SOLA PIEZA

- Generalmente una puerta de una sola pieza no requiere de refuerzos adicionales. Si usted tiene una puerta de material liviano y quiere reforzarla, consulte la información respecto a puertas seccionales, contenida en Instalación, Paso 12.
- Dependiendo del diseño de su puerta, tal vez necesite piezas o sujetadores adicionales para la ménsula de la puerta (Paso 12).

⚠ ADVERTENCIA

Sin un sistema de reversa de seguridad que funcione debidamente, al cerrar la puerta de la cochera se corre el riesgo de que las personas (y en particular los niños pequeños) sufran LESIONES GRAVES o INCLUSO LA MUERTE.

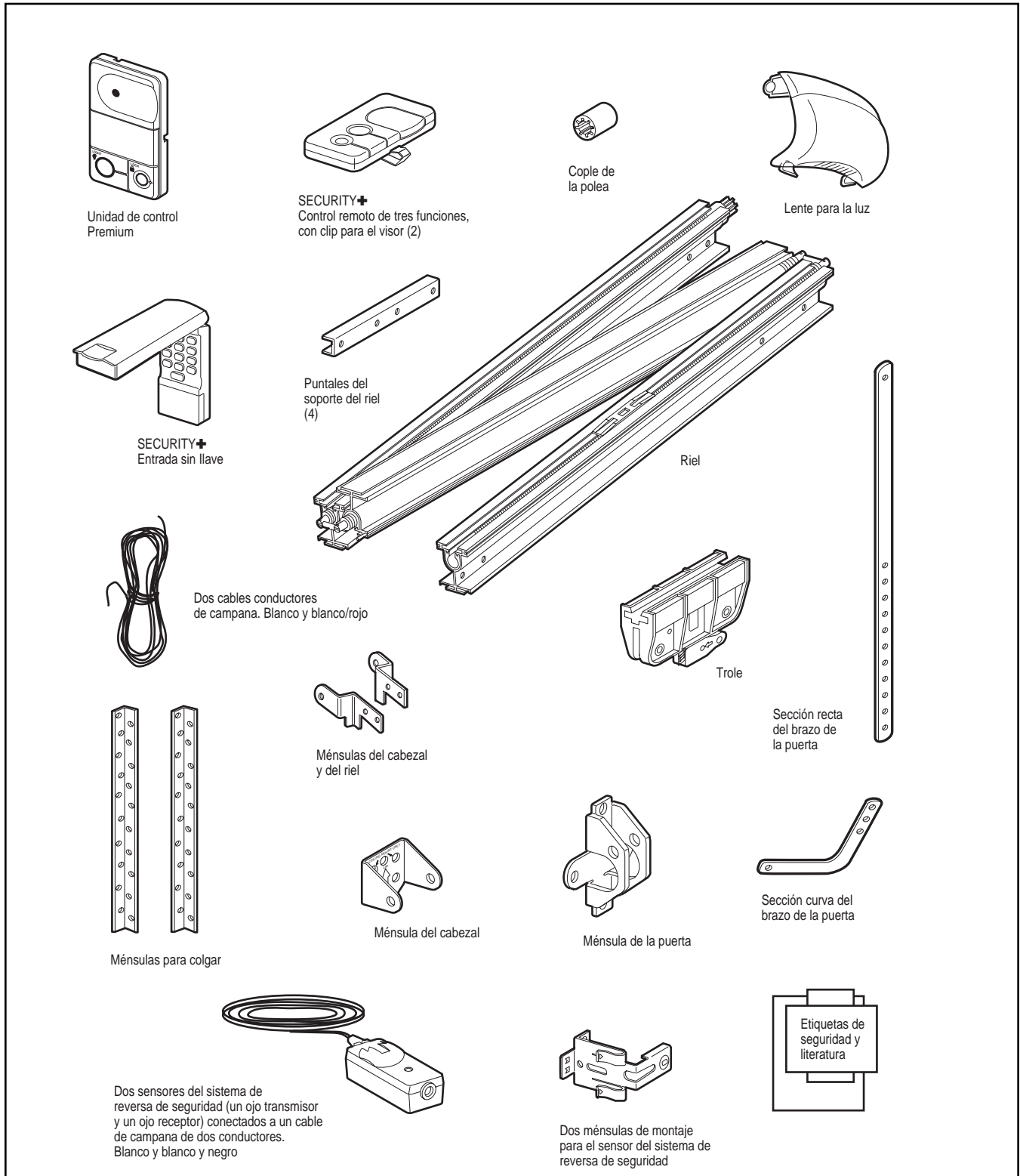
- El espacio entre la base de la puerta de la cochera y el piso NO DEBE exceder 0.625 cm (1/4 de pulgada). De no ser así, el sistema de reversa de seguridad no va a funcionar debidamente.
- El piso o la puerta de la cochera SE DEBE reparar para eliminar este espacio.



Inventario de las cajas

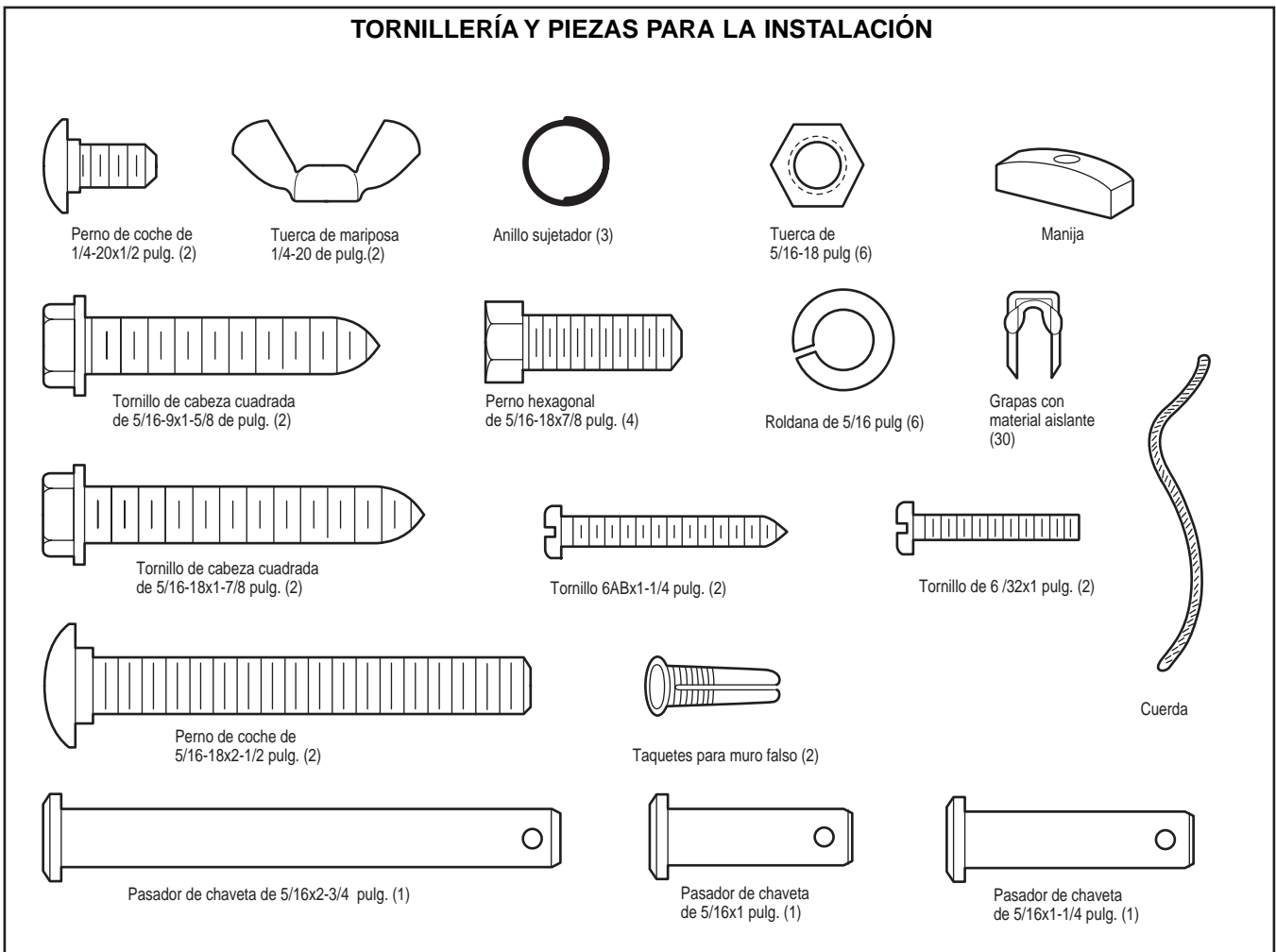
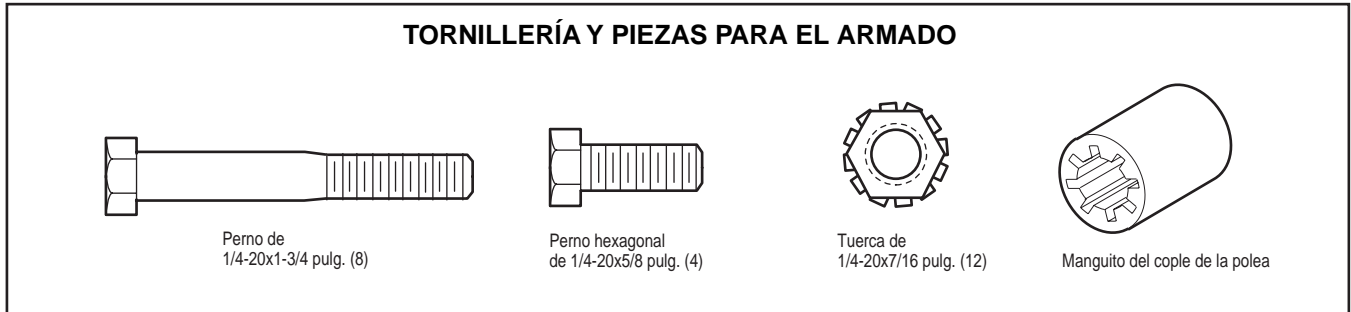
Su abridor viene empaquetado en una caja de cartón que contienen el motor y las piezas que se muestran en la siguiente ilustración. Tome nota de que los accesorios van a depender del modelo que haya comprado. Si falta alguna pieza, revise con cuidado el material de empaque ya que en ocasiones las piezas se atorran en el hule espuma. NO

DESTRUYA EL HULE ESPUMA (vea la página 10). Toda la tornillería y las piezas necesarias para el montaje e instalación de su puerta se ilustran en la siguiente página. Conserve la caja y los materiales de empaque (hule espuma) hasta que la instalación y el ajuste se hayan terminado.



Inventario de piezas

Antes de la instalación, organice todas las piezas en grupos como se muestra en la siguiente ilustración.

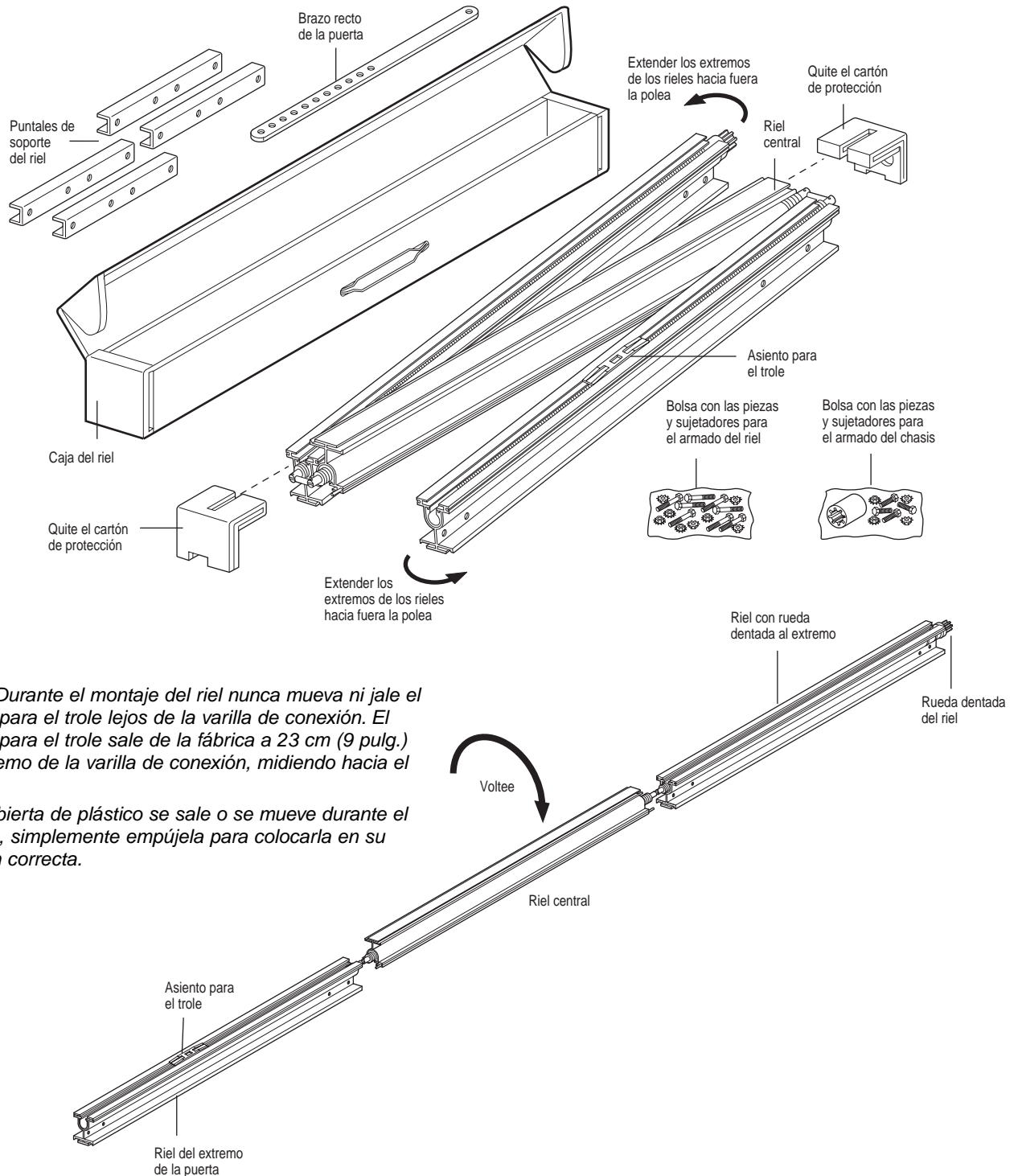


MONTAJE, PASO 1

Montaje del riel

No encienda ni use el abridor hasta que llegue al paso de la instalación correspondiente, de otra manera corre el riesgo de complicar el proceso de instalación.

1. Después de abrir la caja del riel, póngala boca abajo sobre una superficie de trabajo plana.
2. Desdoble los rieles con cuidado de no golpear la junta de la varilla de conexión.
3. Voltee las secciones del riel de manera que el lado plano esté hacia abajo y el lado de la varilla esté hacia arriba.

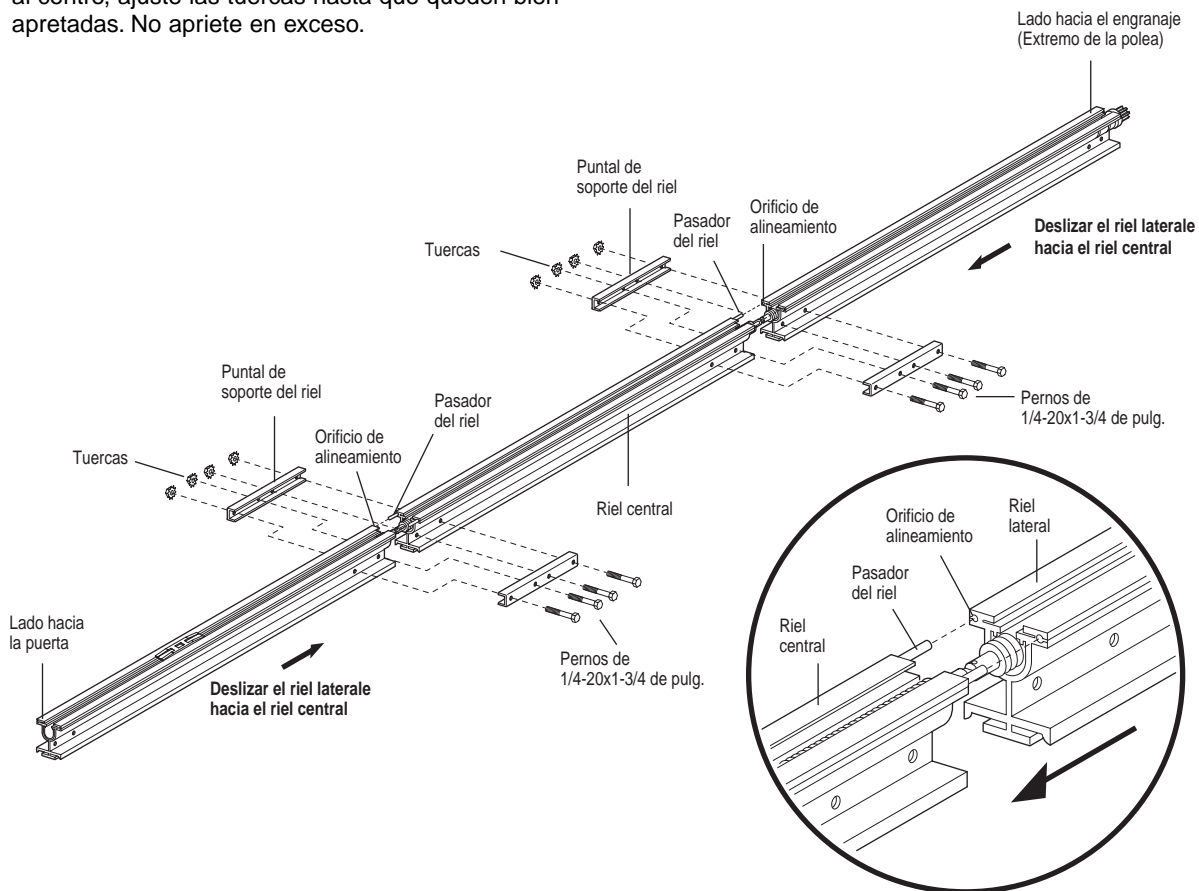
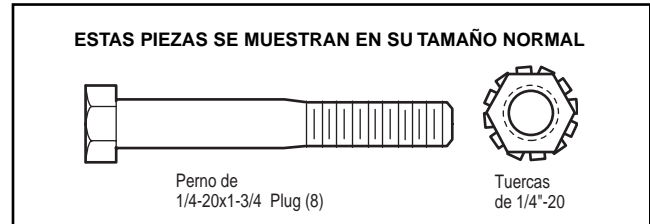


NOTA: Durante el montaje del riel nunca mueva ni jale el asiento para el trole lejos de la varilla de conexión. El asiento para el trole sale de la fábrica a 23 cm (9 pulg.) del extremo de la varilla de conexión, midiendo hacia el centro.

Si la cubierta de plástico se sale o se mueve durante el montaje, simplemente empújela para colocarla en su posición correcta.

Instalación del riel (Continuación)

- Empezando en el extremo con la rueda dentada, coloque las tres secciones del riel de manera que la varilla de conexión esté alineada. (Tenga cuidado de no tocar el extremo de la varilla de conexión ya que tiene orillas afiladas.)
- Cuidadosamente deslice los pasadores en la orilla superior de una de las secciones del riel en los orificios de la sección adyacente del riel. **Es muy importante que este paso se realice sobre una superficie plana, de otra manera corre el riesgo de que el riel no esté correctamente alineado o que se dañen los pasadores.**
- Coloque dos de los pernos de 1/4-20x1-3/4 de pulg. a través de una de los puntales de soporte, después, ponga el puntal con los pernos en los orificios a lo largo de la conexión de las dos secciones del riel. Coloque el otro puntal de soporte al lado opuesto del riel sobre los pernos y ponga las tuercas de 1/4-20 de pulg. Apriete a mano y coloque el resto de los pernos y tuercas.
- Manteniendo el riel recto y sobre una superficie bien nivelada, tomar las varillas atornilladas a cada lado de la unión restante y colocar en línea recta. Repetir los pasos 5 y 6.
- Con una llave de tuercas de 7/16 de pulg. y empezando al centro, ajuste las tuercas hasta que queden bien apretadas. No apriete en exceso.

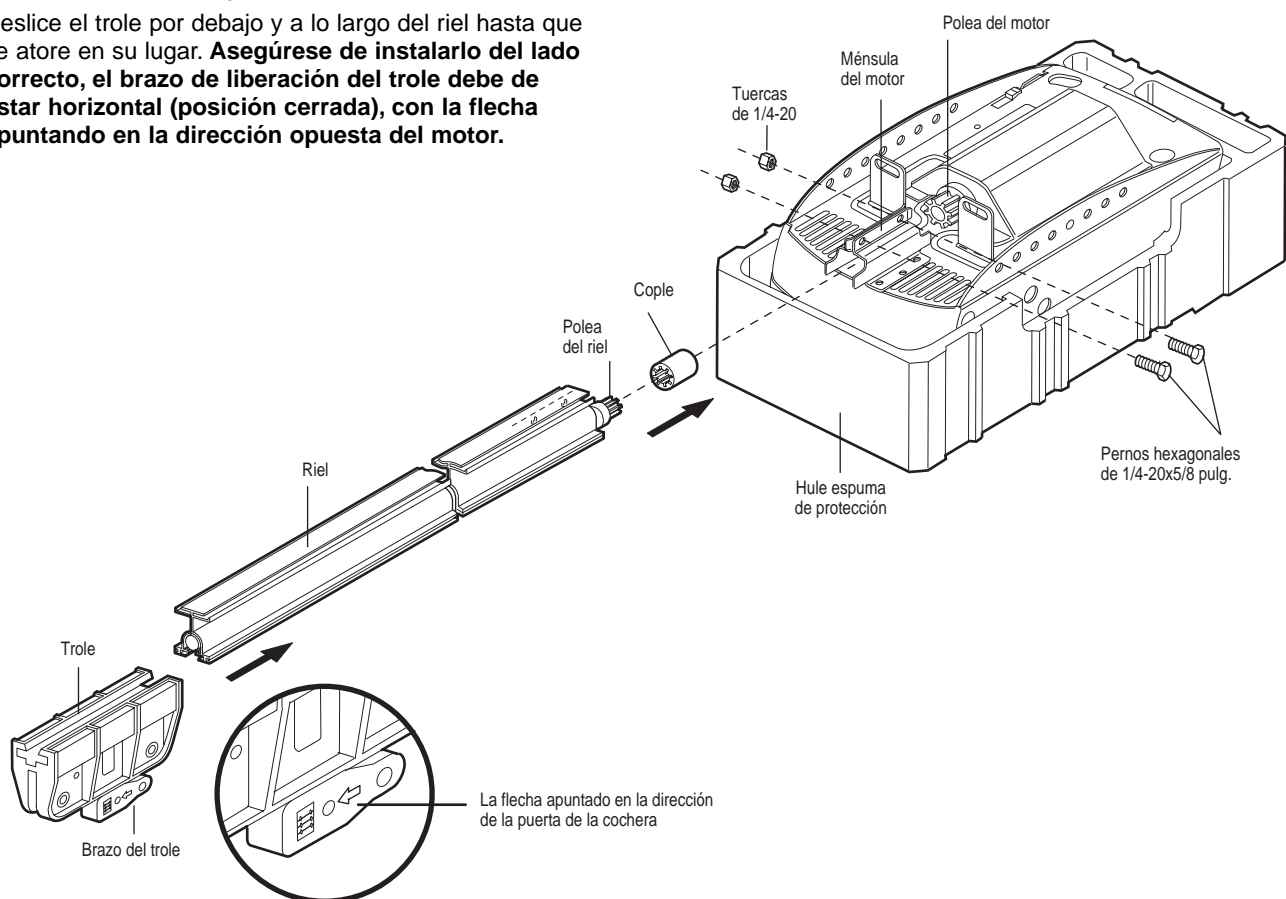
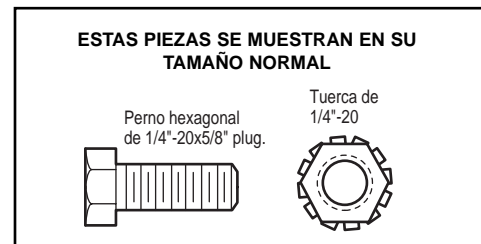


MONTAJE, PASO 2

Sujete el riel a la unidad del motor e instale el trole

NOTA: Para facilitarle el montaje y la instalación del motor, vuelva a colocarlo dentro del hule espuma de protección, retire la espuma después de concluir Instalación, Paso 5.

- Sobre una superficie plana, alinee el riel ya armado al motor como se muestra en la siguiente ilustración.
- Deslice el cople sobre la polea del riel.
- Deslice el riel a través de la ménsula del motor hasta que el cople quede bien ajustado sobre la polea del motor.
- Alinee los dos orificios para los pernos del riel con los correspondientes orificios de la ménsula del motor. Sujete con los pernos hexagonales de 1/4"-20x5/8 pulg. y sus respectivas tuercas. Apriételos con una llave de tuercas de 7/16 de pulg.
- Deslice el trole por debajo y a lo largo del riel hasta que se atore en su lugar. **Asegúrese de instalarlo del lado correcto, el brazo de liberación del trole debe estar horizontal (posición cerrada), con la flecha apuntando en la dirección opuesta del motor.**

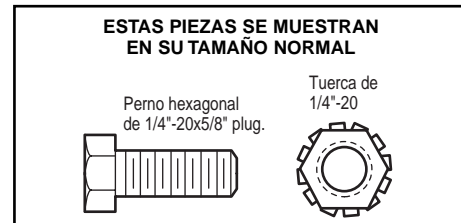
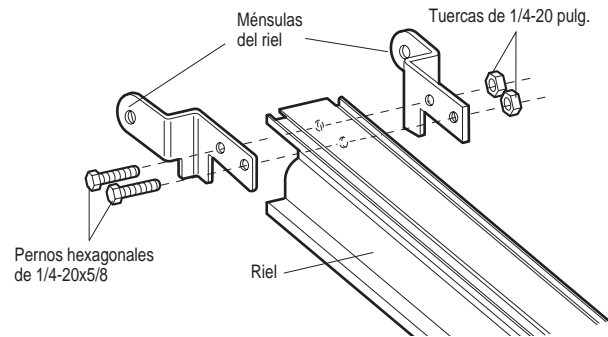


MONTAJE, PASO 3

Coloque las ménsulas del riel

- Alinee las ménsulas con la parte trasera del riel como se muestra.
- Atornille las ménsulas con los pernos hexagonales de 1/4-20x5/8 y las tuercas respectivas. Apriete firmemente con una llave de 7/16 pulg.

Ya terminó de armar su abridor de puerta de cochera, por favor lea las siguientes advertencias antes de continuar a la Sección de instalación.



INSTALACIÓN

INSTRUCCIONES MUY IMPORTANTES PARA LA INSTALACIÓN

⚠ ADVERTENCIA

Para reducir el riesgo de una lesión grave o la muerte:

1. LEA Y SIGA AL PIE DE LA LETRA TODAS LAS INSTRUCCIONES PARA LA INSTALACIÓN.
2. Instale el abridor de puerta de cochera sólo si la puerta de la cochera está debidamente equilibrada y lubricada. Si la puerta no está debidamente equilibrada es posible que no retroceda cuando así se requiere, lo que podría ocasionar una LESIÓN GRAVE o incluso LA MUERTE.
3. Todas las reparaciones de los cables, resortes y otras partes las DEBE llevar a cabo un técnico especializado en sistemas de puertas, ANTES de instalar el abridor.
4. Desarme todos los seguros y retire todas las cuerdas conectadas a la puerta de la cochera ANTES de instalar el abridor con el objeto de evitar que se enreden.
5. Instale el abridor de la puerta de cochera a una distancia de 2.10 m (7 pies) del piso.
6. Monte la manija de liberación de emergencia a una distancia de 1.80 m (6 pies) del piso.
7. NUNCA conecte el abridor de la puerta de cochera a una fuente de energía eléctrica hasta que así se indique.
8. NUNCA lleve puestos relojes, anillos ni prendas muy flojas mientras esté instalando o dando servicio al abridor, pues podrían atorarse en la puerta de la cochera o en los mecanismos del abridor.
9. Instale el control de pared de la puerta de cochera:
 - de manera que quede a la vista desde la puerta de la cochera
 - fuera del alcance de los niños y a una altura mínima de 5 pies
 - lejos de todas las partes móviles de la puerta.
10. Coloque la calcomanía que advierte sobre el riesgo de enredarse cerca del control de la puerta de la cochera, en la pared.
11. Coloque la calcomanía que contiene la prueba de reversa de seguridad y liberación de emergencia a plena vista en la parte interior de la puerta de la cochera.
12. Al concluir la instalación, pruebe el sistema de reversa de seguridad. La puerta DEBE retroceder al entrar en contacto con un objeto de 2.5 cm (1 pulg.) o bien con un pedazo de madera de 5 x 10 cm (2x4 pulg.) puesto sobre el piso.

INSTALACIÓN, PASO 1

Determine dónde va a instalar la ménsula del cabezal

⚠ ADVERTENCIA

Para evitar una posible LESIÓN GRAVE o incluso LA MUERTE:

- La ménsula del cabezal DEBE quedar RÍGIDAMENTE sujeta al soporte estructural en la pared delantera o en el cielo raso, de no ser así es posible que la puerta de la cochera no retroceda cuando se requiera. NO instale la ménsula del cabezal en muros falsos.
- Se DEBEN usar sujetadores para concreto si el montaje de la ménsula del cabezal o del pedazo de madera de 5 x 10 cm (2 x 4 pulg.) se hace en mampostería.
- NUNCA trate de aflojar, mover ni ajustar la puerta de la cochera, los resortes, los cables, las poleas, las ménsulas ni la tornillería, pues todas estas piezas están bajo una tensión EXTREMA.
- SIEMPRE llame a un técnico especializado en sistemas de puertas si la puerta de cochera se pandea, se atora o si está desequilibrada. Una puerta de cochera que no esté equilibrada puede no retroceder cuando se requiera.

El proceso de instalación varía dependiendo de los diferentes tipos de puerta de cochera. Siga las instrucciones que correspondan a su puerta.

PUERTA SECCIONAL Y PUERTA DE UNA SOLA PIEZA CON CARRIL

1. Cierre la puerta y marque la línea central vertical del interior de la puerta.
2. Continúe marcando esta línea hacia arriba hasta llegar a la pared delantera, arriba de la puerta.

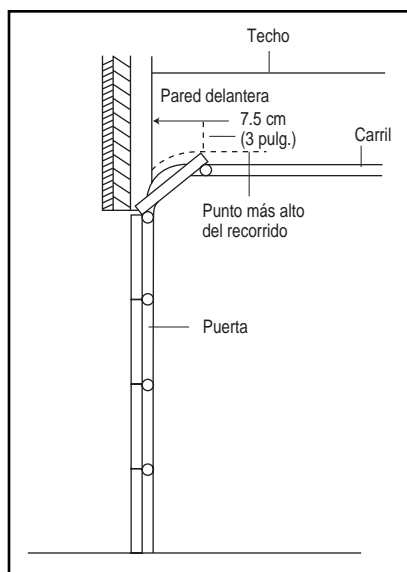
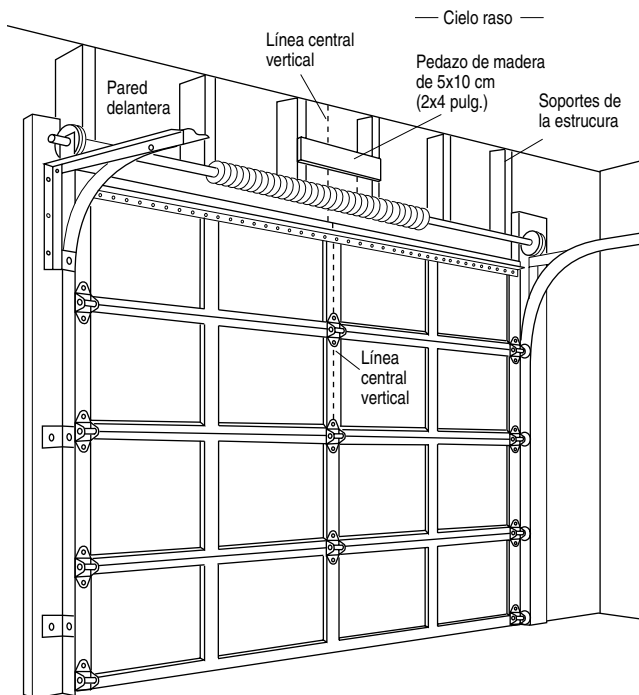
Es posible instalar la ménsula del cabezal hasta a una distancia de máximo 1.20 m (4 pies) a cada lado del centro de la puerta, pero únicamente si un resorte de torsión o un placa central de apoyo se encuentra en el recorrido. También cuando el espacio es reducido, se puede instalar la ménsula en el cielo raso o plafón de la cochera (vea la página 14). (Asimismo, se puede instalar invertida sobre la pared si es necesario, esto le dará aproximadamente 1.25 cm (1/2 pulg.) de espacio.)

Si necesita instalar la ménsula del cabezal en un pedazo de madera de 5x10 cm (2x4 pulg.) (ya sea en la pared o en el techo), use tornillos de cabeza cuadrada o pijas (no provisto) para sujetar el pedazo de madera de 5x10 cm (2x4 pulg.) a los soportes estructurales, como se indica aquí y en la página 13.

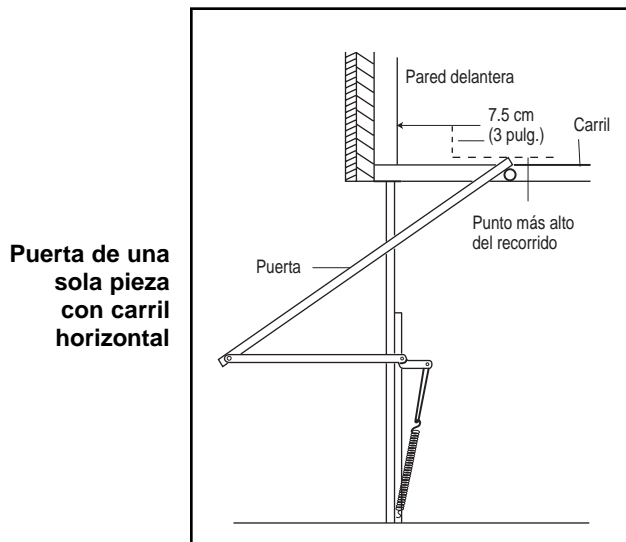
3. Abra la puerta hasta el punto más alto de su recorrido como se muestra. Marque una línea horizontal que intersecte en la pared delantera y a 7.5 cm (3 pulg.) del punto más alto del recorrido. A esta altura, el extremo superior de la puerta tendrá suficiente espacio para su recorrido.

NOTA: Existen también las ménsulas de extensión para puertas seccionales que requieran más de 5 cm (2 pulg.) de tolerancia. Vea la Sección de Accesorios en la página 37.

Continúe con el Paso 2, página 14.



Puerta seccional con carril curvo



Puerta de una sola pieza con carril horizontal

PUERTA DE UNA SOLA PIEZA SIN CARRIL

1. Cierre la puerta y marque la línea central vertical en la parte interior de la puerta de la cochera. Extienda esta línea hasta la pared delantera arriba de la puerta, como se muestra en la ilustración.

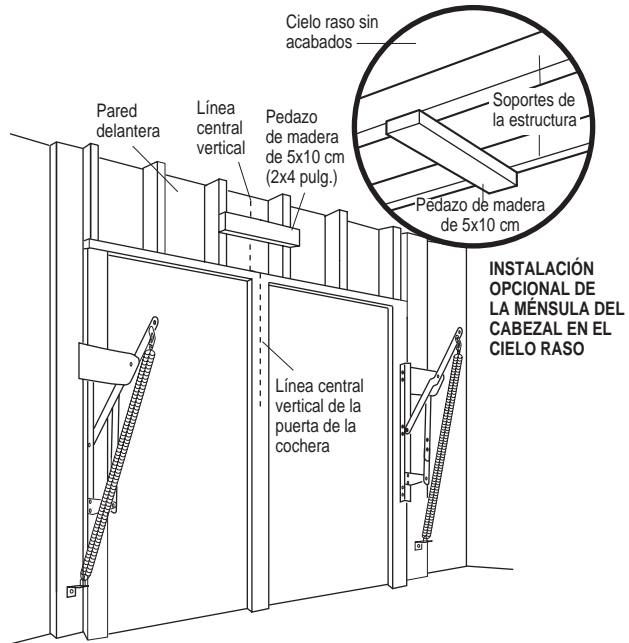
Si el espacio en la parte superior es muy reducido, puede instalar la ménsula del cabezal en el techo. Vea la página 14.

Si es necesario instalar la ménsula del cabezal en un pedazo de madera de 5x10 cm (2x4 pulg.) ya sea en la pared o en el cielo raso, use los tornillos de cabeza cuadrada o pijas (no se incluyen) para sujetar el pedazo de madera de 5x10 cm (2x4 pulg.) a los soportes de la estructura de la cochera, como se muestra.

2. Abra la puerta hasta el punto más alto del recorrido como se muestra. Mida la distancia entre la parte superior de la puerta y el piso, a esto réstele la altura real de la puerta, y al resultado súmele 20 cm (8 pulg.). (Vea el ejemplo).

3. Cierre la puerta de la cochera y marque una línea horizontal sobre la pared delantera a la altura que le haya determinado mediante el cálculo anterior.

NOTA: Si el número total de centímetros excede la altura disponible en su cochera, use la altura máxima posible, o consulte la página 14 para la instalación en el cielo raso o plafón.



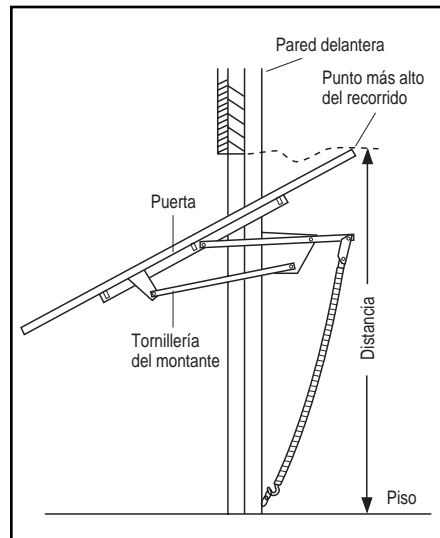
INSTALACIÓN OPCIONAL DE LA MÉNSULA DEL CABEZAL EN EL CIELO RASO

EJEMPLO

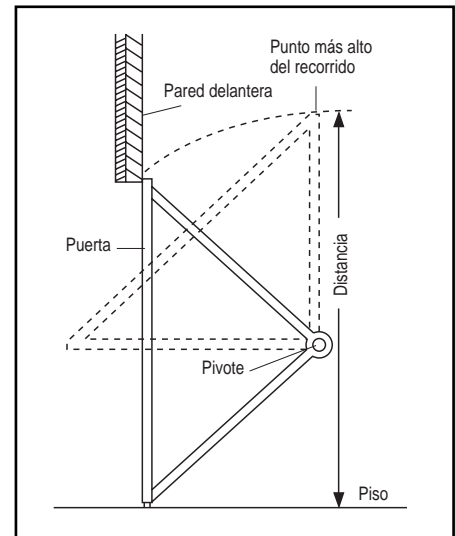
| | | |
|---|---------|------------|
| Distancia entre la parte superior de la puerta (en su punto más alto de desplazamiento) y el piso | 2.30 m | (92 pulg) |
| Altura real de la puerta | -2.20 m | (-88 pulg) |
| Resultado | -0.10 m | (4 pulg) |
| Sume | +0.20 m | (+8 pulg) |

Altura a la que se debe sujetar la ménsula en la pared delantera =0.30 m (=12 pulg)
(Midiendo hacia arriba desde la parte superior de la puerta cerrada)

Continúe con el Paso 2, página 14.



Puerta de una sola pieza sin carril: tornillería del montante



Puerta de una pieza sin carril: tornillería del pivote

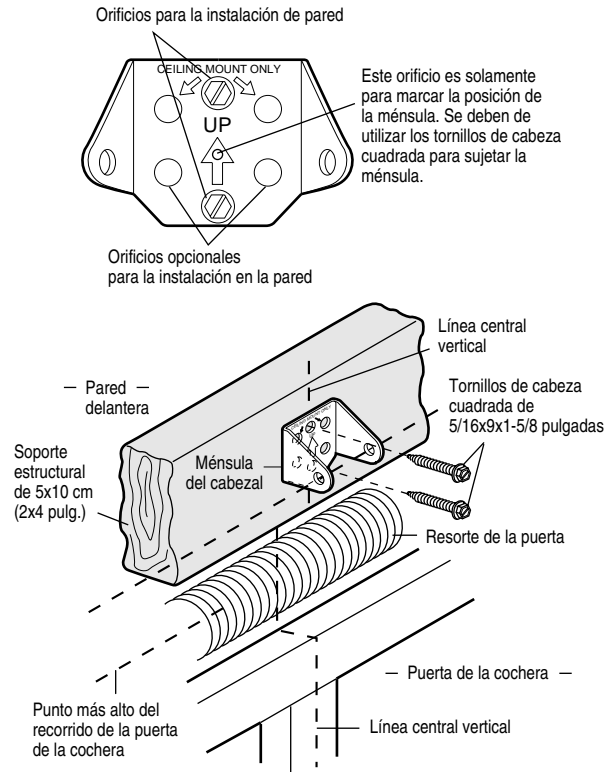
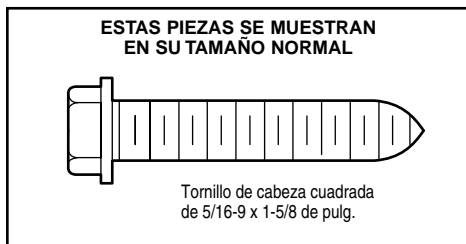
INSTALACIÓN, PASO 2

Instale la ménsula del cabezal

La ménsula del cabezal se puede sujetar a la pared justo arriba de la puerta de la cochera o en el cielo raso. Siga las instrucciones que sean las más adecuadas para las necesidades de su cochera. **No instale la ménsula del cabezal en un muro falso. Si va a sujetar la ménsula del cabezal a ladrillo o mampostería, asegúrese de utilizar sujetadores de cemento (no provisto).**

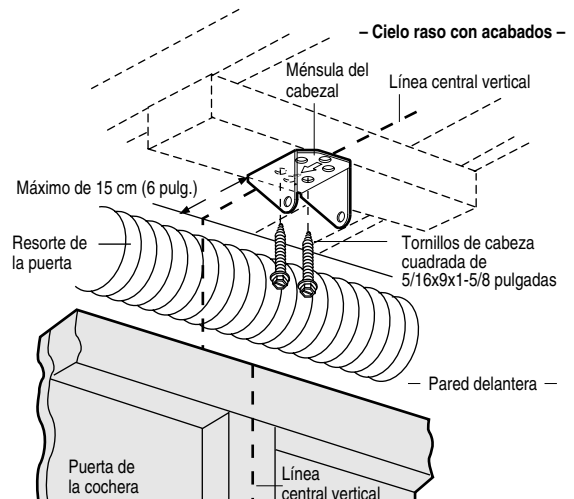
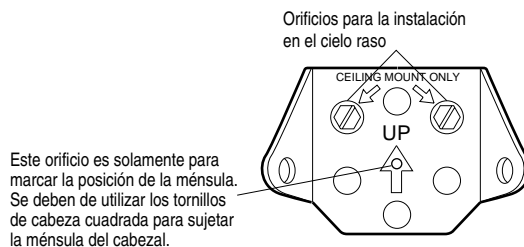
INSTALACIÓN DE LA MÉNSULA DEL CABEZAL EN LA PARED DELANTERA

- Coloque la ménsula sobre la línea central vertical con el borde inferior sobre la línea horizontal como se muestra en la ilustración (con la flecha de la ménsula apuntando hacia el techo).
- Marque los orificios de la ménsula que van en línea vertical. Taladre los orificios con una broca de 3/16 de pulgada y sujete la ménsula al soporte de la estructura con la tornillería que se indica.



INSTALACIÓN DE LA MÉNSULA DEL CABEZAL EN EL CIELO RASO

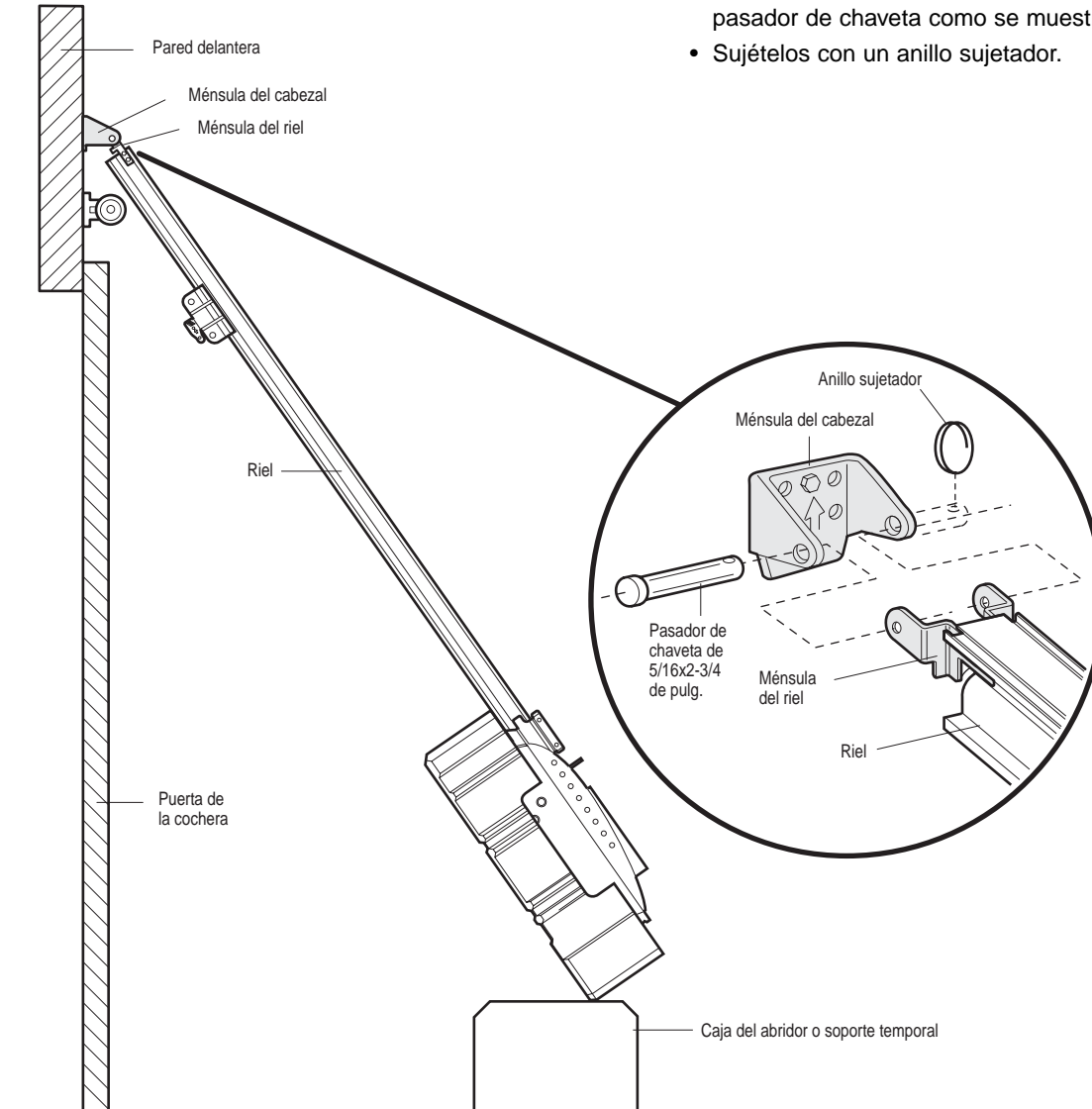
- Extienda la línea central vertical sobre el cielo raso como se muestra en la ilustración.
- Coloque la ménsula al centro de la línea a no más de 15 cm (6 pulg.) de la pared. Cerciérese de que la flecha de la ménsula apunte al lado opuesto de la pared. La ménsula puede ser instalada pegada al cielo raso cuando el espacio es muy reducido.
- Marque donde va a taladrar los orificios laterales. Taladre los orificios con una broca de 3/16 de pulgada y sujete la ménsula firmemente al soporte de la estructura con la tornillería que se incluye.



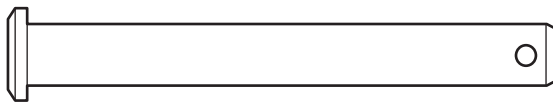
INSTALACIÓN, PASO 3

Coloque el riel en la ménsula del cabezal

- Coloque el abridor sobre el piso de la cochera debajo de la ménsula del cabezal. Use el hule espuma del empaque como base para protegerlo. **NOTA:** Si el resorte de la puerta está obstruyendo, va a necesitar ayuda. Otra persona tendrá que sostener el abridor firmemente sobre un soporte temporal para ayudarle a que el riel pueda librar el resorte.
- Coloque la ménsula del riel junto a la ménsula del cabezal.
- Alinee los orificios de las ménsulas y júntelas con un pasador de chaveta como se muestra en la ilustración.
- Sujételos con un anillo sujetador.



ESTAS PIEZAS SE MUESTRAN EN SU TAMAÑO NORMAL



Pasador de chaveta de
5/16 por 2-3/4 pulg.



Anillo sujetador

INSTALACIÓN, PASO 4

Instale el sensor del sistema de reversa de seguridad

El sensor del sistema de reversa de seguridad debe estar instalado y correctamente alineado, antes de que el abridor de la puerta de cochera mueva la puerta hacia abajo. Este es un dispositivo de seguridad que no se puede desactivar.

INFORMACIÓN IMPORTANTE CON RESPECTO AL SENSOR DEL SISTEMA DE REVERSA DE SEGURIDAD

Si se instala y se alinea correctamente, el sensor del sistema de reversa de seguridad detectará cualquier obstáculo que se cruce en el recorrido del rayo electrónico. El ojo emisor (el que tiene la luz indicadora de color anaranjado) envía un rayo electrónico invisible al ojo receptor (el que tiene la luz indicadora de color verde). Si algún objeto obstruyera este rayo invisible mientras la puerta se está cerrando, la puerta se detendrá automáticamente, retrocederá hasta abrirse por completo, y la luz del abridor parpadeará diez veces.

Estos sensores se deben de instalar en el interior de la cochera de manera que el ojo emisor y el ojo receptor estén uno frente al otro a ambos lados de la puerta y a una distancia máxima de 15 cm (6 pulg.) del piso. Ambos sensores se pueden instalar en cualquiera de los dos lados de la puerta, ya sea el derecho o el izquierdo, siempre y cuando nunca le dé el sol directamente a la lente del ojo receptor.

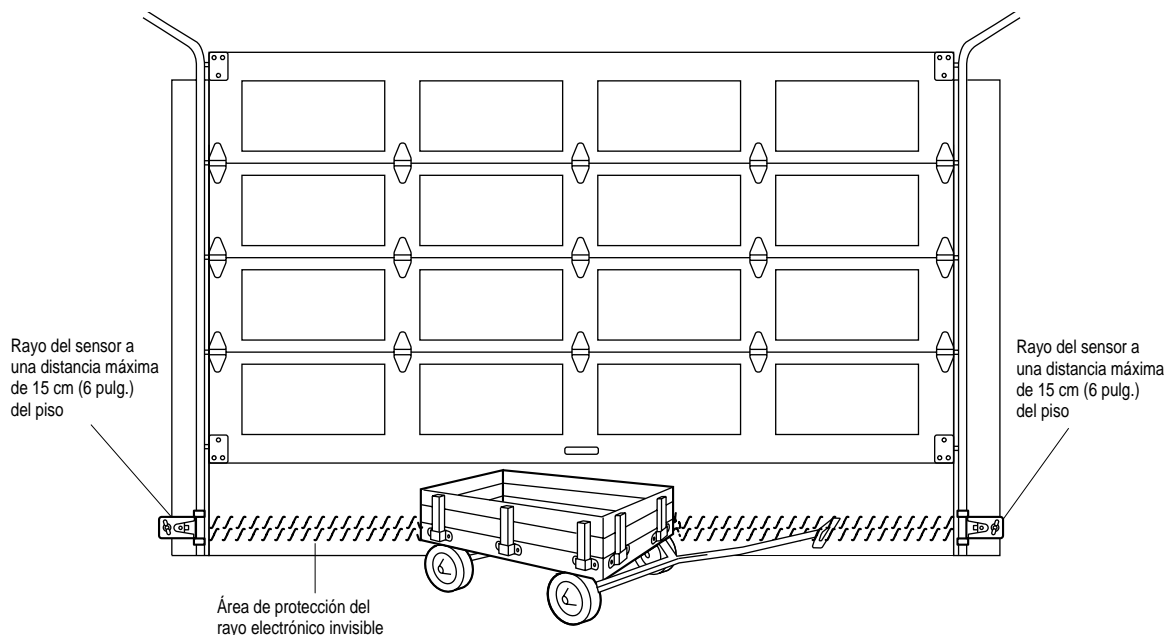
Las ménsulas para la instalación han sido diseñadas para que se sujeten directamente al carril de la puerta, sin la necesidad de tornillería ni piezas adicionales.

⚠ ADVERTENCIA

- Cerciórese de que la energía eléctrica no esté conectada al abridor de la puerta de la cochera ANTES de instalar el sensor del sistema de reversa de seguridad.
- Para evitar una LESIÓN GRAVE o incluso LA MUERTE cuando la puerta de la cochera se está cerrando:
 - Conecte y alinee correctamente el sensor del sistema de reversa de seguridad. Este dispositivo de seguridad es necesario y NO SE DEBE desactivar.
 - Instale el sensor del sistema de reversa de seguridad de manera que el rayo NO ESTÉ a más de 15 cm (6 pulg.) del piso.

Si es necesario instalar las unidades sobre la pared, asegúrese de que todos las ménsulas estén sujetas a una superficie sólida, por ejemplo, uno de los soportes de la pared. Las ménsulas de extensión están disponibles, si se necesitan (vea la Sección de Accesorios). Si va a instalar los sensores sobre ladrillo o mampostería, use un pedazo de madera para evitar hacer orificios innecesarios sobre el ladrillo en caso que necesite cambiarlos de lugar.

El trayecto del rayo electrónico invisible debe de estar libre de cualquier obstrucción. Ninguna de las partes de la puerta (los carriles, resortes, bisagras, rodillos, u otras piezas o tornillería) debe interrumpir el rayo cuando la puerta se esté cerrando.



Vista de la puerta desde el interior de la cochera

INSTALACIÓN DE LAS MÉNSULAS

Asegúrese de que el abridor no esté conectado a la corriente eléctrica.

Instale y alinee las ménsulas de manera que los sensores estén uno frente al otro en los lados opuestos de la puerta, a una distancia máxima de 15 cm (6 pulg.) del piso. Instale las ménsulas de acuerdo con una de las tres maneras siguientes.

Instalación en el carril de la puerta de la cochera (recomendada):

- Deslice los brazos curvos sobre la orilla redondeada de cada uno de los carriles de la puerta, con los brazos curvos apuntando hacia la puerta. Colóquelos en su posición contra el costado del carril. Debe de quedar parejo, con el reborde pegado a la orilla posterior del carril, como se ilustra en la Figura 1.

Si el carril de su puerta no soporta la ménsula firmemente, se recomienda que la instale sobre la pared.

Instalación en la pared:

- Coloque la ménsula contra la pared con los brazos curvos apuntando hacia la puerta. Cerciórese de que haya suficiente espacio para que el rayo del sensor no se tope con ninguna obstrucción.
- Si es necesario tener más profundidad, puede usar ménsulas de extensión (vea Accesorios) o pedazos de madera.
- Use los orificios de montaje de la ménsula para marcar o taladrar (2) los dos orificios de 3/16 de pulgada de diámetro a cada lado de la puerta a una distancia máxima de 15 cm (6 pulg.) del piso.
- Sujete la ménsula a la pared con tornillos de cabeza cuadrada o pijas (no se incluyen).
- Si está usando ménsulas de extensión o pedazos de madera por la falta de espacio, asegúrese de que las dos unidades queden a la misma distancia de la superficie de montaje. Asimismo, asegúrese de que no haya ninguna obstrucción.

Instalación en el piso:

- Use pedazos de madera o ménsulas de extensión (vea Accesorios) para elevar las ménsulas de los sensores de manera que las lentes queden a una distancia máxima de 15 cm (6 pulg.) del piso.
- Cuidadosamente mida y instale las unidades derecha y izquierda a la misma distancia con respecto a la pared. Asegúrese de que no haya ninguna obstrucción.
- Sujete al piso las ménsulas para los sensores con los sujetadores para el piso, como se muestra en la ilustración.

Figura 1 INSTALACIÓN EN EL CARRIL DE LA PUERTA (LADO DERECHO)

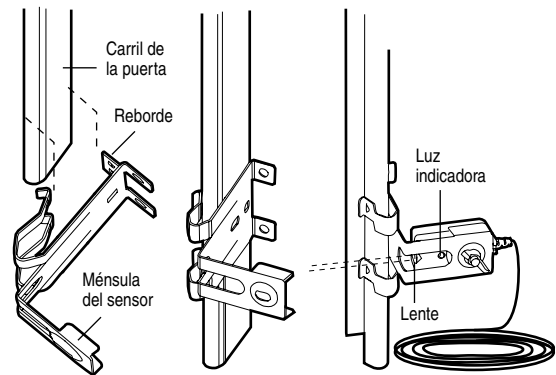


Figura 2 INSTALACIÓN EN LA PARED (LADO DERECHO)

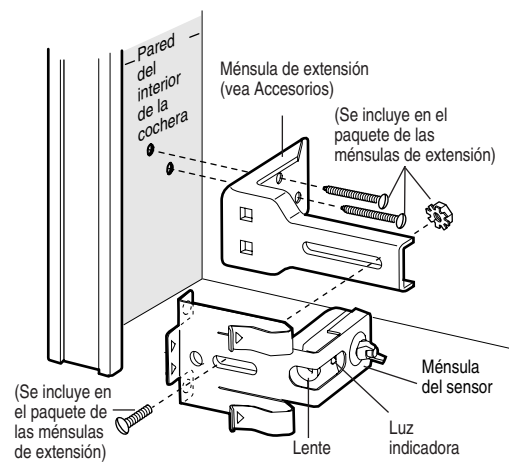
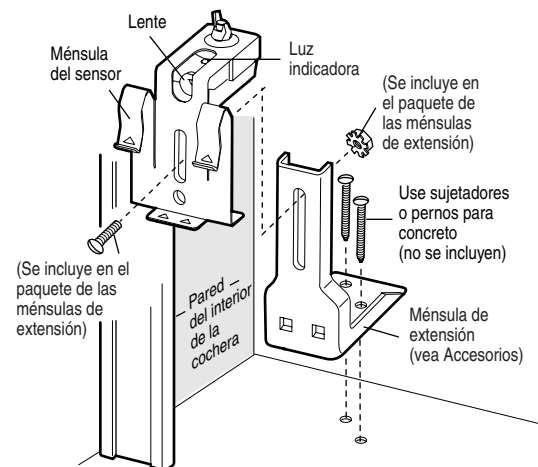


Figura 3 INSTALACIÓN EN EL PISO (LADO DERECHO)



MONTAJE Y CABLEADO DE LOS SENSORES DEL SISTEMA DE REVERSA DE SEGURIDAD

- Deslice la cabeza de un perno de coche de 14-20x1/2 pulgada dentro de la ranura de los sensores. Use tuercas de mariposa para sujetar los sensores a las ménsulas, con las lentes de cada sensor frente a frente a ambos lados de la puerta. Cerciérese de que la extensión de la ménsula no obstruya las lentes. Vea la Figura 4.
- Apriete las tuercas de mariposa a mano.

Ruta recomendada para el cableado

1. Usando grapas con aislamiento, corra los cables de los dos sensores hasta el riel del cabezal de la puerta (vea la Figura 5).
2. Cruce y tuerza los dos cables cuando llegan al riel, (vea la Figura 5, ilustración A). Ponga los cables dentro de la canaleta de la parte superior del riel a lo largo de ambos lados, hasta que lleguen al motor. **No use la canaleta de la parte inferior del riel ya que es para el trole.** Con la punta de un desarmador meta bien los cables dentro de la canaleta.

NOTA: Si la puerta de acceso a su cochera se encuentra muy cerca de la puerta de la cochera, puede optar por instalar la unidad de control en este momento y correr el cableado del control de la puerta a lo largo del riel, junto con los cables de los sensores. Use una canaleta del riel para los cables de ambos sensores, y la otra para los cables de la unidad de control. Si usted opta por hacer esto, siga ahora las instrucciones contenidas en la página 21, pasos 1 al 3.

3. Jale los cables de manera que queden tensos a través de la parte superior del chasis y páselos por el orificio que se encuentra sobre el bloque de terminales (vea la Figura 5, Ilustración B). Terminará el proceso de cableado cuando llegue al paso 7 de la Instalación.

Figura 4

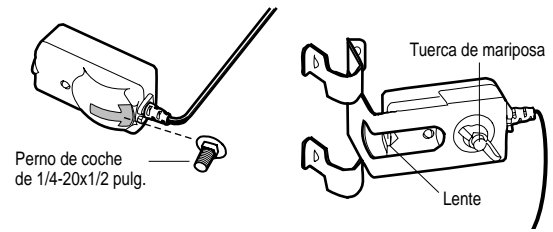
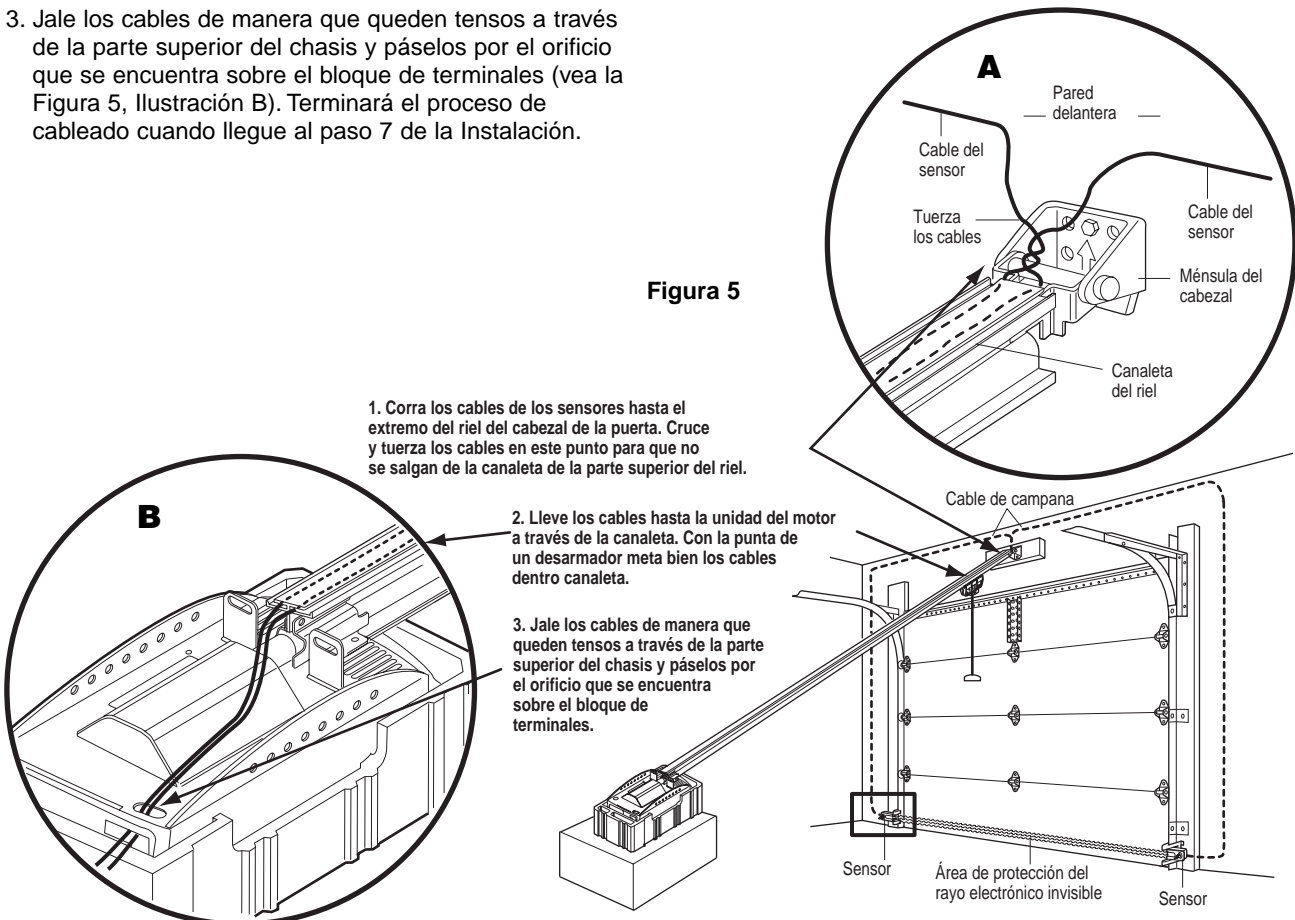


Figura 5



INSTALACIÓN, PASO 5

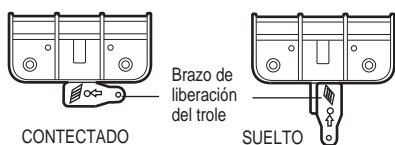
Coloque el abridor

Siga las instrucciones correspondientes al tipo de puerta de su cochera, como se muestra en la ilustración.

PUERTA SECCIONAL O PUERTA DE UNA SOLA PIEZA CON CARRIL

Un pedazo de madera de 5x10 cm (2x4 pulg.) le será de ayuda al determinar la distancia ideal entre la puerta y el riel.

- Ponga el abridor sobre la escalera, si la escalera no es lo suficientemente alta, va a necesitar ayuda.
- Abra completamente la puerta y coloque el pedazo de madera de 5x10 cm (2x4 pulg.) en la sección superior, de manera que quede debajo del riel.
- Si el panel superior golpea el trole al levantar la puerta, jale hacia abajo el brazo de liberación del trole para desconectar las secciones interna y externa del mismo. Deslice el trole externo hacia el motor. El trole puede permanecer desconectado hasta el final del Paso 13.

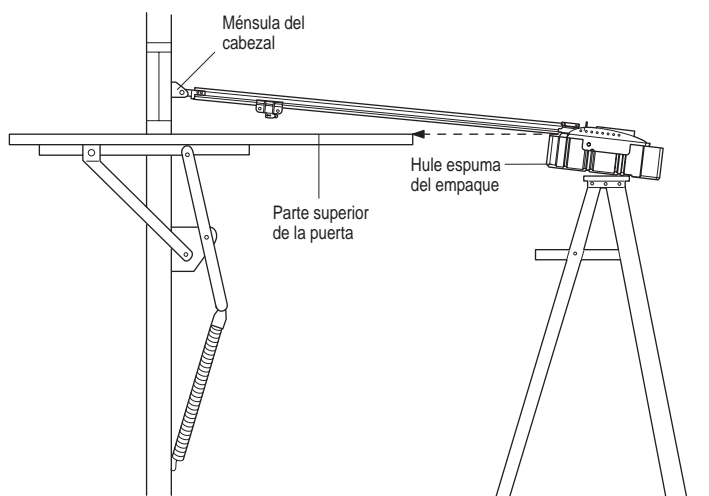
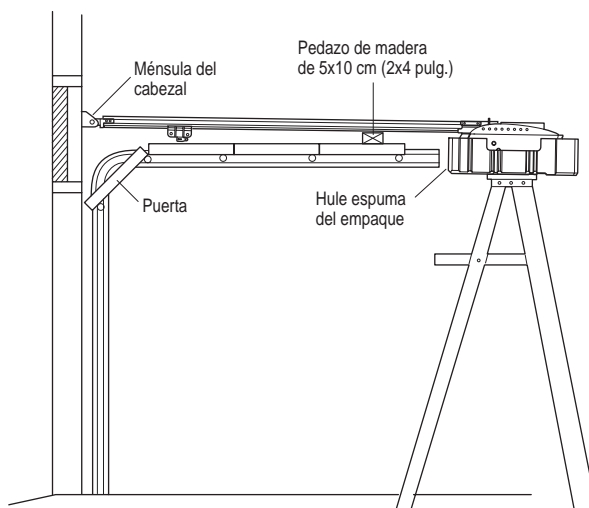


PUERTA DE UNA SOLA PIEZA SIN CARRIL

- Abra completamente la puerta de manera que quede paralela con el piso, mida la distancia entre el piso y la parte superior de la puerta.
- Coloque el abridor a esta altura, utilizando una escalera como apoyo.
- La parte superior de la puerta debe de estar alineada con la parte superior de la unidad del motor. No instale el abridor a más de 7.5 cm (3 pulg.) arriba de este punto.

PRECAUCIÓN

Para evitar que la puerta de cochera sufra daños, apoye el riel del abridor de la puerta de cochera sobre un pedazo de madera de 5 x 10 cm (2 x 4 pulg.) colocado en la sección superior de la puerta.



INSTALACIÓN, PASO 6

Cuelgue el abridor

Aquí se muestran tres ejemplos distintos para la instalación; sin embargo, es posible que su cochera no concuerde con ninguno de ellos. Las ménsulas de soporte deben de estar en ángulo (Figura 1), para que proporcionen un soporte rígido. En caso de tener un cielo raso (Figura 2), instale una ménsula de metal resistente en algún soporte de la estructura antes de instalar el abridor. No se incluye esta ménsula ni la tornillería.

(Vea Accesorios).

Los soportes existentes de una instalación previa pueden fijarse a los lados de la unidad del motor como ilustrado en las Figuras 1 y 2, o a las aletas de montaje como ilustrado en la Figura 3. A continuación continúe con el Paso 5 de abajo.

1. Mida la distancia entre cada lado de la unidad del motor y el soporte de la estructura.
2. Corte las dos partes de las ménsulas colgantes a la medida adecuada.
3. Taladre los orificios de 3/16 de pulgada en los soportes de la estructura.
4. Sujete un extremo de cada ménsula al soporte con tornillos de cabeza cuadrada de 5/16 - 18x1-7/8 pulgadas.
5. Sujete el abridor a las ménsulas colgantes con pernos hexagonales de 5/16 - 18x7/8 pulg., y sus tuercas y roldanas correspondientes.

Si desea usar las ménsulas de una instalación previa, **debe** de colocar una de las ménsulas colgantes (que se incluye en el paquete) en diagonal con respecto a las ménsulas existentes. Vea la Figura 3.

6. Verifique que el abridor esté centrado sobre la puerta (o alineado con la ménsula del cabezal, si la ménsula no está centrada sobre la puerta).
7. Quite el pedazo de madera de 5x10 cm (2x4 pulg.). Haga funcionar la puerta manualmente. Si la puerta golpea el riel, suba la ménsula del cabezal.

⚠ ADVERTENCIA

Para evitar la posibilidad de una LESIÓN GRAVE si se cae el abridor de la puerta de cochera, sujételo FIRMEMENTE a los soportes estructurales de la cochera. Se DEBEN usar sujetadores para concreto si alguna de las ménsulas se va a instalar en mampostería.

Figura 1

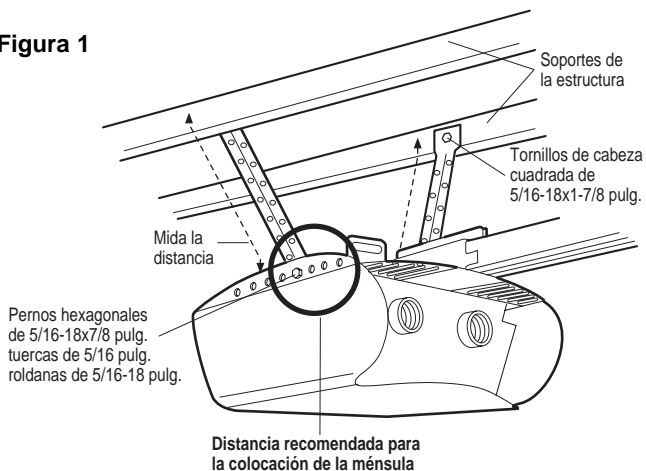


Figura 2

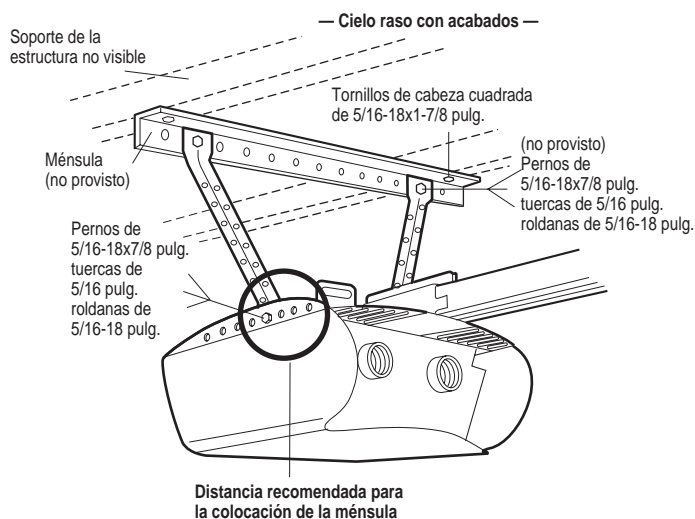
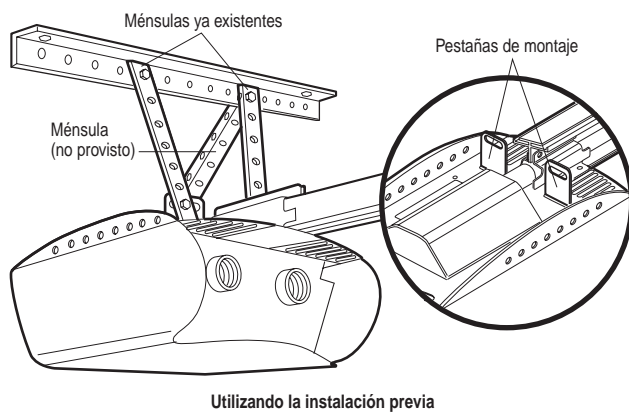


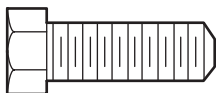
Figura 3



ESTAS PIEZAS SE MUESTRAN EN SU TAMAÑO NORMAL



Tornillo de cabeza cuadrada de 5/16-18x1-7/8 pulg.



Perno hexagonal de 5/16-18x7/8 pulg.



Tuerca de 5/16-18 pulg.



Roldana de 5/16 pulg.

INSTALACIÓN, PASO 7

Instale la unidad de control de la puerta

Ubique el control de la puerta de manera que quede a la vista desde la puerta y a una altura mínima de 1.5 m (5 pies) donde los niños pequeños no lo puedan alcanzar y lejos de las partes móviles de la puerta y de la tornillería. Si se va a instalar en un muro falso, taladre dos orificios de 0.40 cm (5/32 de pulg.) y use los sujetadores que se incluyen. Para una instalación pre-cableada, (por ejemplo, en una casa en construcción) los modelos de consola se pueden instalar en una caja múltiple estándar (Figura 2).

1. Pele 11 mm (7/16 de pulg.) del extremo del cable de campana y conéctelo a las terminales de tornillo correspondientes al color del cable en la parte posterior de la puerta de la unidad de control; blanco a 2 y blanco y rojo a 1.

2. **Modelo de consola:** Con un desarmador abra la tapa por el costado. Sujete con un tornillo autorroscante de 6AB por 1-1/4 pulgadas (instalación estándar) o con un tornillo para metales de 6-32 por 1 pulgadas (dentro de la caja múltiple) como se indica a continuación:

- Perfore e instale el tornillo del fondo, permitiendo que 3 mm (1/8 de pulg.) sobresalga sobre la superficie de la pared.
- Coloque la parte inferior de la unidad de control de la puerta sobre la cabeza del tornillo y deslícelo para sujetarlo, apriete el tornillo.
- Taladre y coloque el tornillo de la parte superior con precaución de no romper la cubierta plástica de la unidad. **No apriete en exceso.**
- Inserte las lengüetas superiores y cierre la cubierta.

3. (**Instalación estándar solamente**) Tienda el cable del timbre hacia arriba en la pared y a través del cieloraso a la unidad del motor. Use grampas aisladas para asegurar el cable en varios lugares. No perfore el cable con las grampas, lo que puede crear un cortocircuito o circuito abierto. Si su puerta de acceso está cerca de la puerta del garage, usted puede etender este cable con el cable del Sensor Inversor de Seguridad a lo largo del tope del riel. Vea la página 18.

4. Pase todos los cables a través del orificio de la parte superior de la unidad del motor por encima del bloque de terminales que se encuentra en el panel posterior (Figura 3).

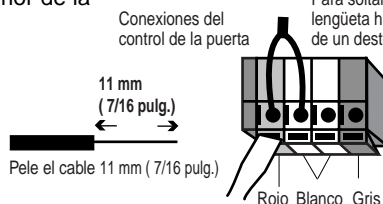
5. Pele 11 mm (7/16 de pulg.) de aislación de cada conjunto de cables. Inserte el cable de control de la puerta dentro de los conectores de conexión rápida por color: cable blanco a blanco, cable blanco/rojo a rojo.

Separe los cables blancos y blanco/negro suficientemente para conectar a los terminales de conexión rápida del abridor. Tuerza juntos los cables del mismo color. Insertar los cables dentro de los orificios de conexión rápida: blanco a blanco y blanco/negro a gris.

NOTA: Al conectar controles múltiples de la puerta al abrepuertas, tuerza juntos los cables del mismo color. Inserte los cables en los orificios de conexión rápida: blanco a blanco y rojo/blanco a rojo.

6. Use tachuelas o grapas para sujetar permanentemente la calcomanía de advertencia sobre el riesgo de quedar atrapado; esta calcomanía debe estar en la pared y cerca del control de la puerta. La calcomanía de advertencia de la prueba de reversa de seguridad y liberación manual debe colocarse en un punto prominente del interior de la puerta de la cochera.

NOTA: NO conecte el abridor a la energía eléctrica ni lo haga funcionar en este momento. El trole hará el recorrido hasta llegar a la posición completamente abierta, pero no regresará a la posición cerrada hasta que el rayo del sensor esté conectado y alineado debidamente.

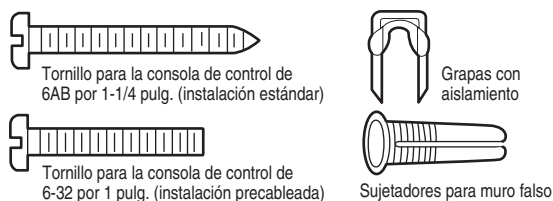


⚠️ ADVERTENCIA

Para evitar la posibilidad de una LESIÓN GRAVE o incluso LA MUERTE por electrocución:

- ANTES de instalar el control de la puerta, cerciórese de que la energía eléctrica no esté conectada.
 - Conecte el control SÓLO a cables de bajo voltaje de 24 VOLTIOS.
- Para evitar la posibilidad de una LESIÓN grave e incluso LA MUERTE cuando la puerta de la cochera se está cerrando:
- Instale el control de la puerta de manera que quede a la vista desde la puerta de la cochera, fuera del alcance de los niños a una altura mínima de 1.5 m (5 pies), y alejado de las partes móviles de la puerta.
 - NUNCA permita que los niños hagan funcionar o jueguen con los botones de control de la puerta ni con los transmisores de control remoto.
 - Haga funcionar la puerta SÓLO si la puede ver claramente, si la puerta está debidamente ajustada, y si no no hay ninguna obstrucción en su recorrido.
 - SIEMPRE tenga a la vista la puerta de la cochera hasta que esté completamente cerrada. NUNCA permita que alguien se atraviese en el recorrido de la puerta de la cochera cuando se está cerrando.

ESTAS PIEZAS SE MUESTRAN EN SU TAMAÑO NORMAL



Conexiones para la unidad de control exterior

Conecte a las terminales de conexión rápida: el blanco al blanco; blanco/rojo al rojo.

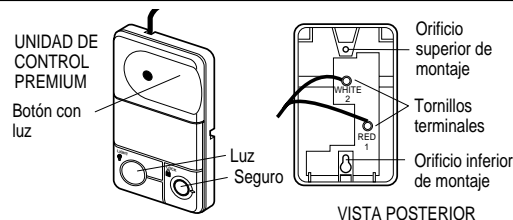


Figura 1

QUITAR Y VOLVER A PONER LA TAPA

Para volver a ponerla, primero inserte las lengüetas superiores

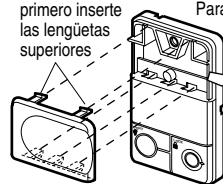


Figura 2 INSTALACIÓN PRE-CABLEADA

Para quitar, doble aquí

Para quitar, doble aquí

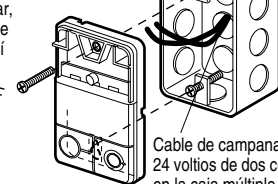


Figura 3 Cableado al bloque de terminales del motor

Pele 11 mm (7/16 de pulg.) Insertar los cables a través de la abertura en el tope de la unidad del motor sobre el bloque terminal, y a continuación dentro de los terminales de conexión rápida.

Para soltar el cable, empuje la lengüeta hacia dentro con la punta de un destornillador

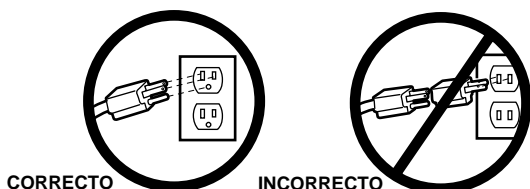


INSTALACIÓN, PASO 8

Requisitos para la instalación eléctrica

Para evitar dificultades con la instalación, no encienda ni use el abridor hasta después de haber completado el paso 9.

Para reducir el riesgo de choque eléctrico, su abridor para puerta de cochera viene con una clavija de conexión a tierra de tres patas. Esta clavija sólo se puede conectar a una toma de corriente puesta a tierra y con tres entradas. Si la clavija no entra en la toma de corriente que usted tiene, diríjase a un electricista profesional para que le instale la toma de corriente correcta.



Si la reglamentación local exige que su abridor tenga cableado permanente, siga los siguientes pasos.

Para conectar el abridor a la corriente eléctrica de forma permanente a través del orificio de 2.19 cm (7/8 pulg.) localizado en la parte superior del motor:

- Quite los tornillos de la tapa del abridor y deje la cubierta a un lado.
- Quite el cable de tres entradas.
- Conecte el cable (línea) negro al tornillo de la terminal de cobre, el cable blanco (neutral) al tornillo de la terminal color plata, y el cable a tierra al tornillo verde de la puesta a tierra. **El abridor debe de estar puesto a tierra.**
- Vuelva a poner la tapa en su lugar y atornille.

Para evitar dificultades con la instalación, no encienda ni use el abridor hasta después de haber completado el paso 9.

INSTALACIÓN, PASO 9

Termine la instalación del sensor del sistema de reversa de seguridad

CÓMO ALINEAR LOS SENSORES DE SEGURIDAD

- Conecte el abridor; las luces del sensor emisor y del sensor receptor se deben de encender y permanecer encendidas si todas las conexiones del cableado y la alineación se han hecho correctamente.

La luz anaranjada del sensor que emite el rayo se encenderá aunque esté obstruido o fuera de alineación, pero si la luz verde del sensor receptor del rayo está apagada, parpadea o se ve baja, (y no hay ninguna obstrucción en el recorrido del rayo de luz invisible) será necesario alinearlos.

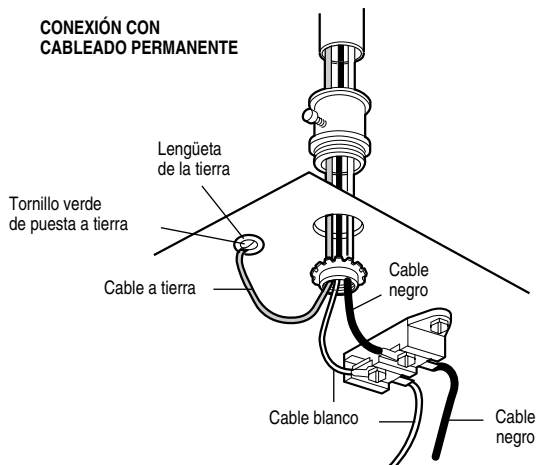
- Afloje la tuerca de mariposa del sensor emisor y reajuste el sensor. Apunte directamente al otro sensor y apriete la tuerca de mariposa.
- Afloje la tuerca de mariposa del sensor receptor del rayo, y reajuste hasta que reciba el rayo del sensor emisor. Una vez que la luz verde brille permanentemente, apriete la tuerca de mariposa.

⚠️ ADVERTENCIA

Para evitar la posibilidad de una LESIÓN GRAVE o incluso LA MUERTE por electrocución o incendio:

- Cerciórese de que el abridor no esté conectado a la energía eléctrica, y desconecte la alimentación eléctrica al circuito ANTES de quitar la cubierta para establecer la conexión del cableado permanente.
- Tanto la instalación como el cableado de la puerta de cochera DEBEN cumplir con todos los códigos locales de construcción y eléctricos.
- NUNCA use una extensión ni un adaptador de dos hilos, tampoco modifique la clavija para poder enchufarla. Asegúrese que el abridor esté puesto a tierra.

CONEXIÓN CON CABLEADO PERMANENTE



DIAGNÓSTICO DE FALLAS CON RESPECTO A LOS SENSORES DEL SISTEMA DE REVERSA DE SEGURIDAD

1. Si la luz verde del sensor que emite el rayo no permanece encendida después de la instalación, verifique lo siguiente:
 - El suministro de corriente eléctrica al abridor.
 - Que haya un corto circuito en alguno de los cables, ya sea el banco, o el blanco y negro. Esto ocurre frecuentemente donde hay alguna grapa o en las conexiones de las terminales roscadas.
 - Algún error en la conexión de los cables de los sensores al abridor.
 - Algún cable roto.
2. Si la luz indicadora del sensor que emite el rayo enciende y permanece encendida, pero la luz del otro sensor no enciende:
 - Verifique que estén correctamente alineados.
 - Verifique que no haya un corto en el cable del sensor receptor.
3. Si la luz indicadora del sensor receptor esta débil o baja, verifique la alineación de los sensores.

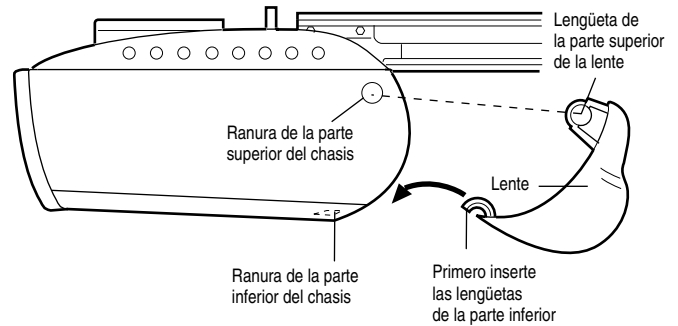
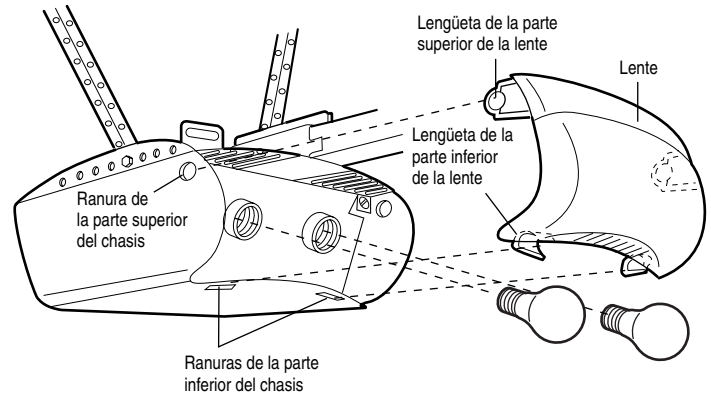
NOTA: Si la trayectoria del rayo invisible se ve obstruida o está fuera de alineación, al tratar de cerrar la puerta ésta se abrirá automáticamente. Si la puerta está abierta, simplemente no se podrá cerrar, y las luces de abridor parpadearán diez veces (Vea la página 16).

INSTALACIÓN, PASO 10

Instale las luces y lentes

- Instale un foco de 100 vatios (máximo) en cada socket del abridor. Si éste se encuentra conectado, la luces permanecerán encendidas por aproximadamente 4 minutos y medio, y se apagarán por sí solas.
- Inserte las lengüetas inferiores de la lente en las ranuras correspondientes del chasis e inclínelas hacia el chasis para que entren las lengüetas de la parte superior. (Vea la ilustración).
- Para quitar, oprima ambas pestañas superiores de la lente. Incline la lente ligeramente hacia fuera y hacia abajo y luego jale para tener acceso a los focos. Tenga cuidado de no desprender las lengüetas inferiores de la lente.

NOTA: Sólo utilice focos estándar. El uso de focos de cuello corto o especiales puede sobrecalentar el panel o la portalámpara.



INSTALACIÓN, PASO 11

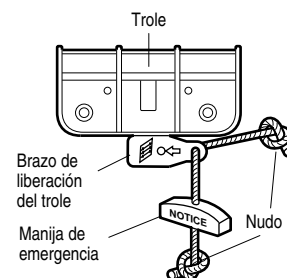
Coloque la cuerda y la manija de emergencia

- Pase un extremo de la cuerda a través del orificio que se encuentra en la parte superior de la manija roja de manera que la palabra "NOTICE" (aviso) sea legible, como se indica en la ilustración. Asegúrela con un nudo en un extremo de la cuerda por lo menos a 2.5 cm (1 pulg) del extremo de la cuerda para evitar que se resbale.
- Pase el otro extremo de la cuerda a través del orificio del brazo de liberación del trole exterior.
- Ajuste el largo de la cuerda de tal manera que la manija quede a seis pies (1.8 m) del piso y haga un nudo para asegurarla.

NOTA: Si es necesario cortar la cuerda, queme con un cerillo o un encendedor el extremo que cortó para sellarla y evitar que se desenrede.

⚠ ADVERTENCIA

- Para evitar la posibilidad de una LESIÓN GRAVE o incluso LA MUERTE si la puerta de la cochera se cae:
 - De ser posible, use la manija de emergencia para soltar el trole SÓLO cuando la puerta de la cochera esté CERRADA. Si los resortes están débiles o rotos, o bien si la puerta está desequilibrada podría suceder que la puerta abierta se caiga rápida y/o inesperadamente.
 - NUNCA use la manija de emergencia a menos que la entrada a la cochera esté libre de obstrucciones y no haya ninguna persona presente.
- NUNCA use la manija para jalar la puerta para abrirla o cerrarla. Si el nudo de la cuerda se suelta, usted podría caerse.



INSTALACIÓN, PASO 12

Sujete la ménsula de la puerta

Siga las instrucciones que correspondan al tipo de puerta de cochera que usted tenga, como se muestra en la ilustración o en la página siguiente.

Si usa un puntal horizontal, éste debe de ser lo suficientemente largo para sujetarlo a dos soportes verticales. Si usa un puntal vertical, éste debe de ser de la altura del panel superior.

La ilustración muestra una pieza de hierro en ángulo como puntal horizontal. Para el puntal vertical se deben usar dos piezas de hierro en ángulo con objeto de crear un soporte en "U" (Figura 1). La mejor solución es ponerse en contacto con la compañía fabricante de la puerta de su cochera e informarse acerca de los juegos de refuerzos de puertas para la instalación de un abridor.

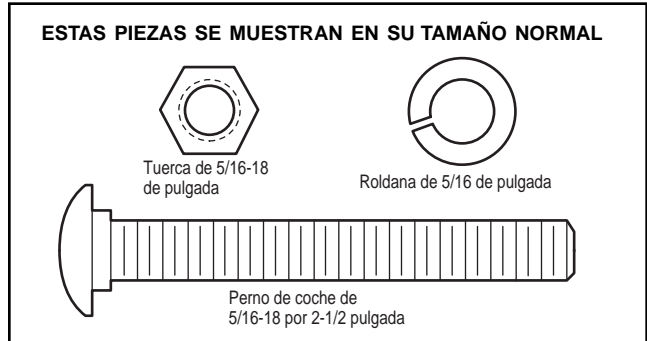
NOTA: Muchas de las instalaciones con soporte o puntal vertical toman en cuenta la instalación directa de los pasadores de chaveta y el brazo de la puerta. En este caso, no necesitará instalar la ménsula para la puerta; proceda al Paso 13.

PUERTAS SECCIONALES

- Coloque la ménsula para la puerta sobre la línea central vertical que había marcado previamente para la instalación de la ménsula del cabezal. Asegúrese de que la leyenda "UP" (arriba) esté en la posición correcta, como está indicado en la parte interior de la ménsula (Figura 2).
- Coloque la ménsula sobre la parte frontal de la puerta, dentro de los límites siguientes:
 - A) El borde superior de la ménsula 5-10 cm (2-4 pulg.) debajo del borde superior de la puerta.

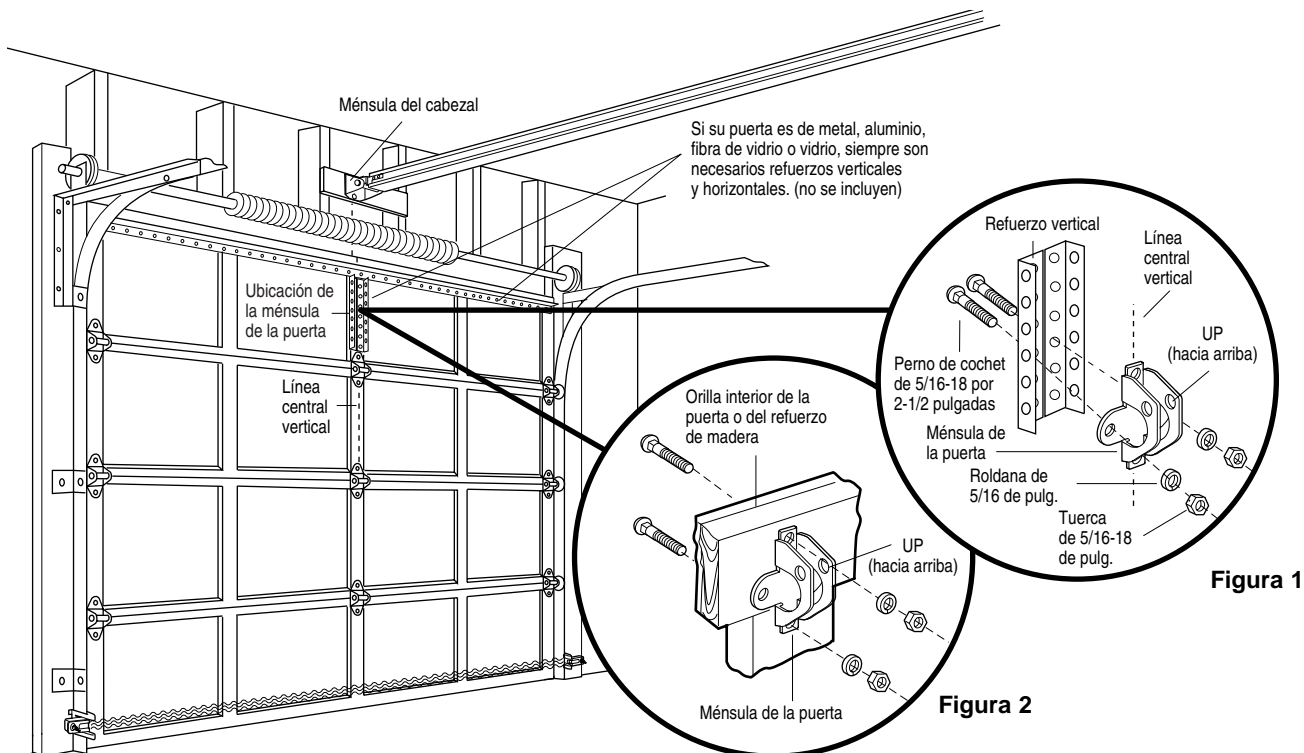
PRECAUCIÓN

Para evitar que la puerta de la cochera se dañe, refuerce el interior de la puerta con ángulos de hierro tanto vertical como horizontalmente.



- B) La orilla superior de la ménsula debe de estar directamente debajo de algún soporte de la estructura a lo largo de la parte superior de la puerta.
- Marque y taladre dos orificios de 0.78 cm (5/16 de pulg.) para los sujetadores a la derecha y a la izquierda. Sujete la ménsula al refuerzo vertical (si éste existe), como se muestra en la Figura 1.

Si el tipo de instalación de su cochera no requiere refuerzos verticales, pero sí necesita los orificios para los sujetadores de la ménsula, taladre y sujete como se muestra en la Figura 2.



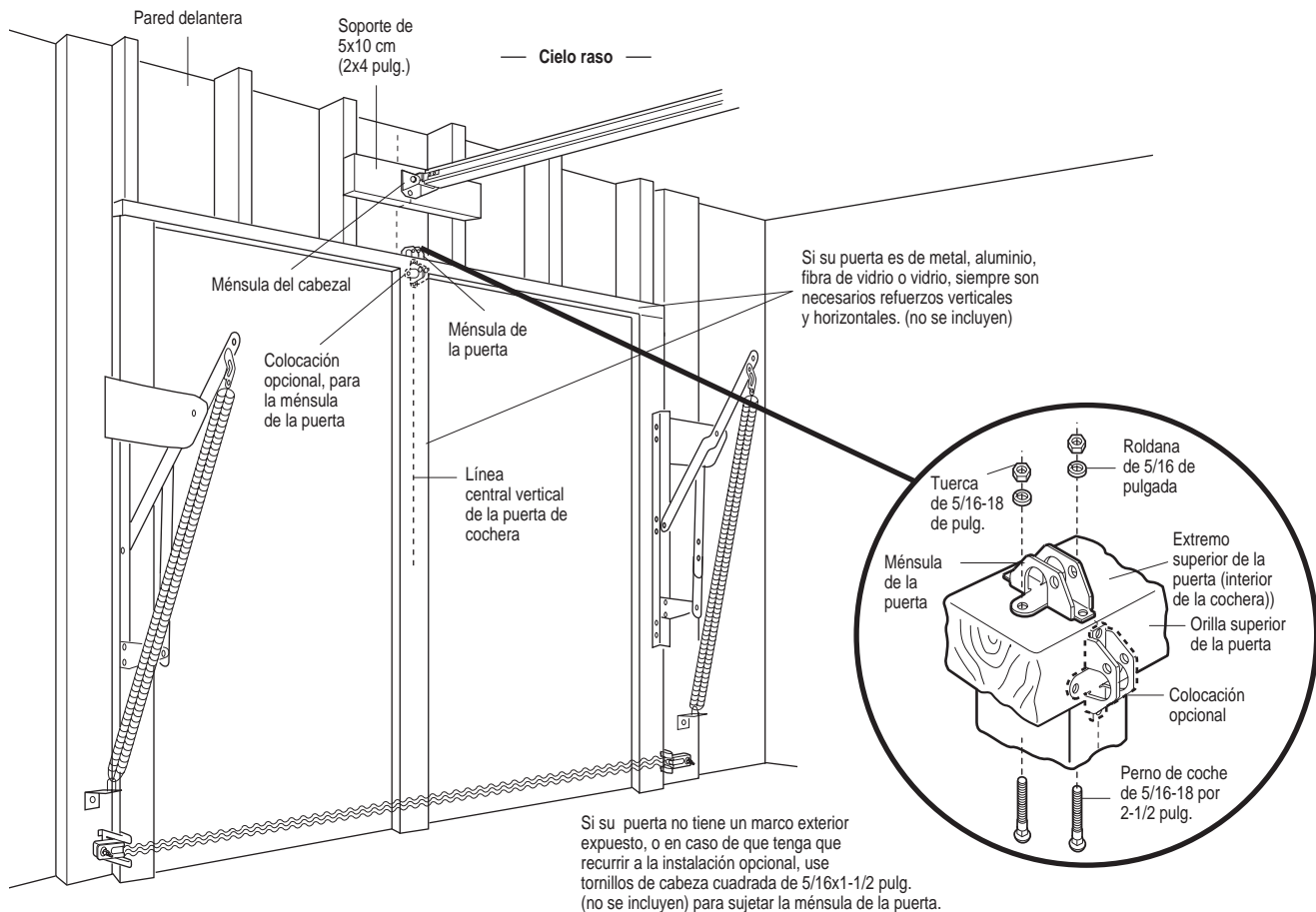
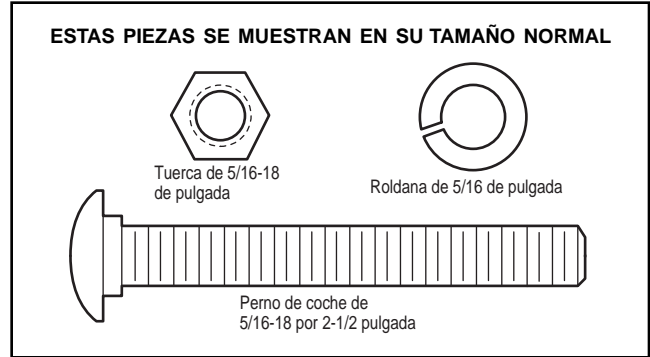
PUERTAS DE UNA SOLA PIEZA

Lea y respete todas las advertencias e instrucciones respecto a los refuerzos, contenidas en la página anterior, Instalación de puerta pliegables, ya que todos los refuerzos para su puerta de una sola pieza son los mismos.

- Coloque la ménsula de la puerta al centro de la parte superior de la misma, alineada con la ménsula del cabezal, según se indica en la ilustración. Marque ya sea los orificios derecho e izquierdo o superior y inferior.
- Taladre los orificios piloto de 0.78 cm (5/16 pulg.) y sujete la ménsula con la tornillería que se incluye.

Si la puerta no tiene un marco exterior expuesto, taladre dos orificios de 0.47 cm (3/16 pulg.) y sujete la ménsula a la parte superior de la puerta con tornillos de cabeza cuadrada de 5/16x1-1/2 pulg. (No provisto).

NOTA: La ménsula para la puerta puede ser instalada sobre la orilla superior de la puerta si es necesario para su instalación en particular. (Vea la ilustración de colocación opcional, señalada con la línea punteada). Taladre dos orificios de 0.47 cm (3/16 de pulg.) y sujete la ménsula a la parte superior de la puerta con tornillos de cabeza cuadrada de 5/16x1-1/2 pulgadas (no se incluyen).



INSTALACIÓN, PASO 13

Conecte el brazo de la puerta al trole

Siga las instrucciones que correspondan al tipo de puerta de cochera que usted tenga, como se muestra continuación y en las dos páginas siguientes.

SÓLO PARA PUERTAS SECCIONALES

- Cerciórese de que la puerta de la cochera esté completamente cerrada. Jale la manija del sistema de liberación de emergencia para desconectar el trole exterior del trole interior. Deslice el trole exterior (en dirección opuesta a la puerta) más o menos 5 cm (2 pulg.) como se indica en las Figuras 1 a la 3.

• Figura 1:

- Sujete la sección recta del brazo de la puerta al trole exterior con un pasador de chaveta de 5/16x1 pulg. Asegure la conexión con el anillo sujetador.
- Sujete la sección curva del brazo a la ménsula de la puerta de la misma manera, con un pasador de chaveta de 5/16 por 1-1/4 pulg.

• Figura 2:

- Junte las dos secciones del brazo, localizando dos pares de orificios que se puedan alinear. Seleccione dos orificios que estén tan separados como sea posible para aumentar la rigidez del brazo de la puerta.

• Figura 3, Opciones para alinear los orificios:

- En caso de que los orificios del brazo curvo no se puedan alinear con los orificios del brazo recto, desconecte el brazo recto y corte aproximadamente 15 cm (6 pulg.) del extremo que no tiene orificios. Vuelva a conectarlo al trole, con el extremo cortado hacia abajo, como se muestra.
 - Junte las dos secciones de los brazos.
 - Localice dos pares de orificios de ambas secciones que se puedan alinear y únalos con tornillos, roldanas y tuercas.
- Jale la manija del sistema de liberación de emergencia hacia el abridor en un ángulo de 45 grados, de manera que el brazo de liberación del trole esté en posición horizontal. Proceda a la sección de Ajustes, Paso 1 en la página 28. El trole volverá a estar listo automáticamente, cuando se opere el abridor.

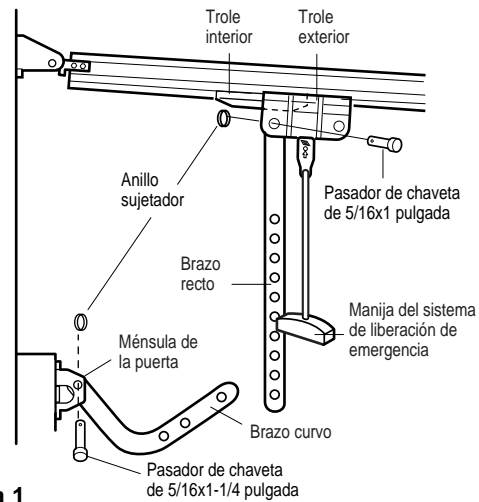


Figura 1

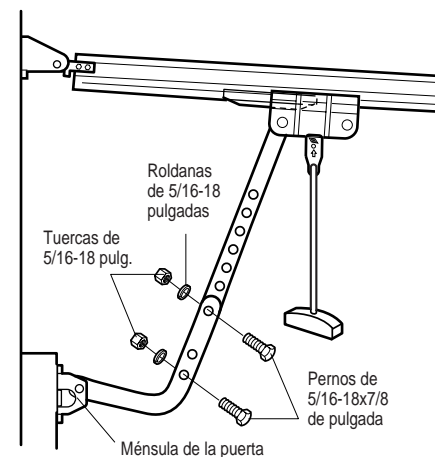


Figura 2

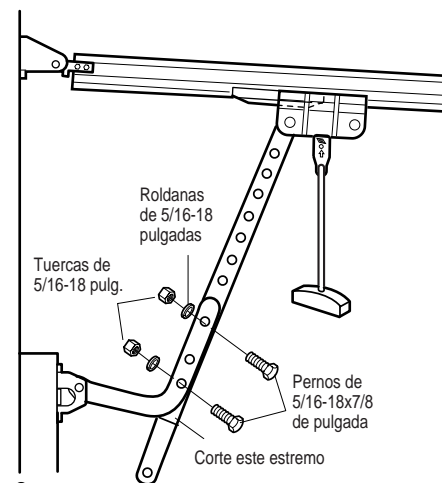
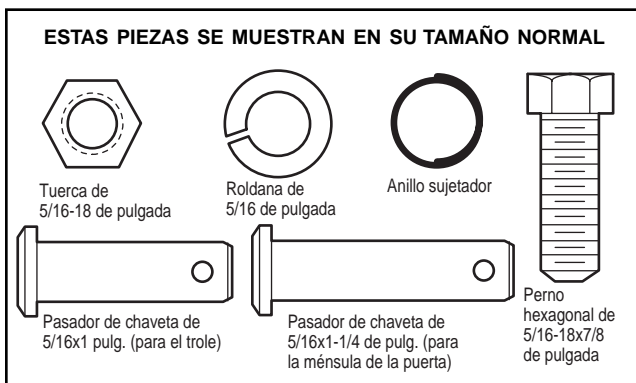


Figura 3



TODAS LAS PUERTAS DE UNA SOLA PIEZA

1. Arme el brazo de la puerta:

- Sujete las dos secciones del los brazos de la puerta (recto y curvo) a la mayor distancia posible, de (manera que dos o tres de los orificios se superpongan uno al otro).
- Cierre la puerta y sujete la sección recta del brazo a la ménsula de la puerta con el pasador de chaveta de 5/16x1-1/4 de pulgada.
- Asegúrelos con un anillo sujetador.

2. Procedimiento de ajuste:

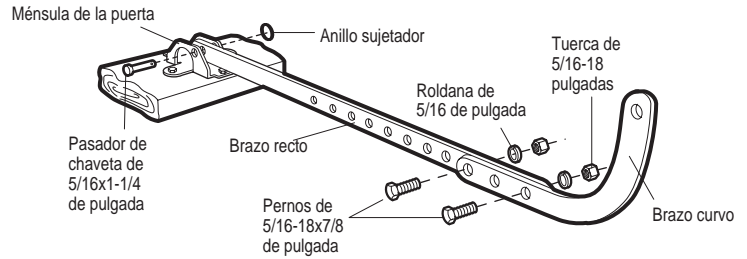
Si tiene una puerta de una sola pieza, deberá ajustar los límites del recorrido antes de conectar el brazo de la puerta. Los tornillos de ajuste del límite de recorrido se encuentran en el panel del lado izquierdo, como se muestra en la ilustración que aparece en la página 28. Siga el procedimiento de ajuste que aparece a continuación.

• Ajuste de la puerta al abrirla: disminuya el límite del recorrido HACIA ARRIBA

- Ajuste el tornillo para ajustar el límite del recorrido hacia arriba, dándole cinco y media vueltas hacia la izquierda (dirección opuesta a las manecillas del reloj).
- Oprima el botón de control de la puerta. El trole deberá ir hasta la posición completamente abierta.
- Abra la puerta manualmente de manera que esté paralela con el piso y suba el brazo de la puerta al trole. El brazo de la puerta deberá de tocar el trole justo en la parte posterior del orificio conector. Consulte la ilustración correspondiente al brazo de la puerta y al trole en su posición completamente abierta. Si el brazo no se extiende lo suficiente, ajuste el límite del recorrido de la puerta; cada revolución del tornillo equivale a 5 cm (2 pulg.) del recorrido del trole.

• Ajuste de la puerta al cerrarla: disminuya el límite del recorrido HACIA ABAJO

- Ajuste el tornillo para ajustar el límite del recorrido hacia abajo, dándole cinco vueltas completas hacia la derecha (dirección de las manecillas del reloj).

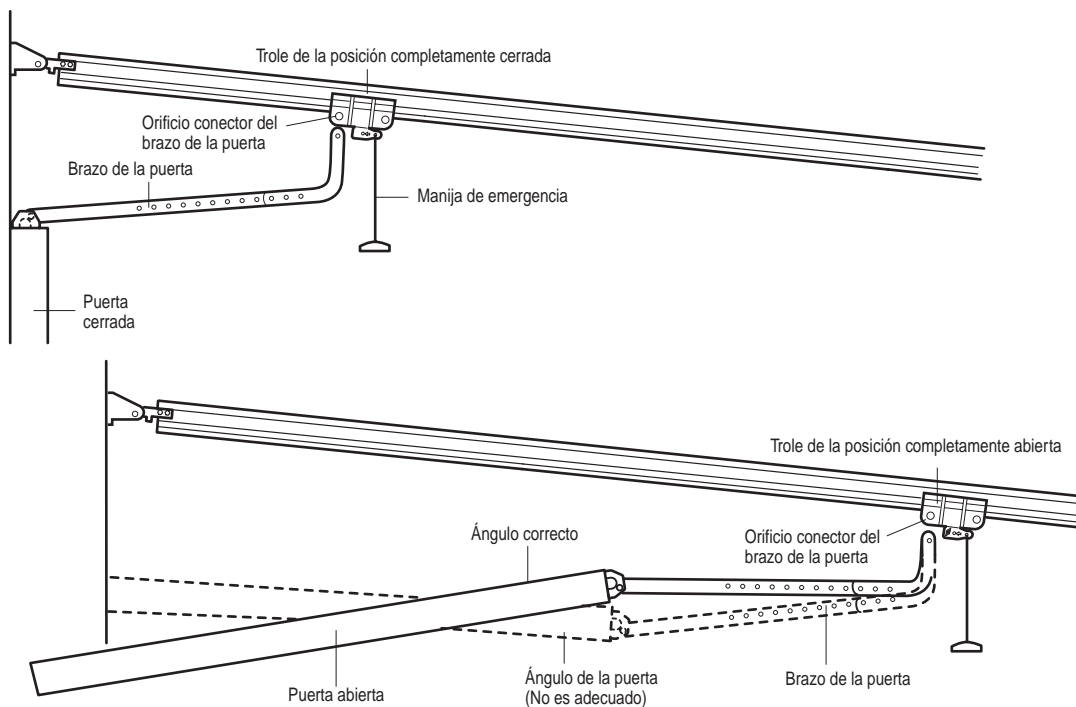


- Oprima el botón de control de la puerta, el trole deberá ir hasta la posición completamente cerrada.
- Cierre la puerta manualmente y suba el brazo de la puerta al trole. El brazo de la puerta deberá de tocar el trole justo adelante del orificio conector del brazo de la puerta. Consulte la ilustración correspondiente al brazo de la puerta y al trole en su posición completamente cerrada. Si el brazo queda detrás del orificio conector, ajuste el límite del recorrido de la puerta; cada revolución del tornillo equivale a 5 cm (2 pulg.) de recorrido del trole.

3. Conecte el brazo de la puerta al trole

- Cierre la puerta y sujete el brazo curvo al orificio conector del trole con el último pasador de chaveta. Es posible que necesite levantar un poco la puerta manualmente para poder hacer esta conexión.
- Asegure con un anillo sujetador.
- Opere el abridor durante un ciclo completo del recorrido. Si la puerta parece estar en cierto ángulo (hacia atrás) cuando está completamente abierta, así como se muestra en la siguiente ilustración, disminuya el límite del recorrido hacia arriba hasta que la puerta quede paralela al piso.

NOTA: Al establecer el límite hacia arriba como aparece en la página siguiente, la puerta no debe tener una inclinación "hacia atrás" cuando esté totalmente abierta, como se ilustra abajo. Una ligera inclinación hacia atrás ocasionará que la puerta se pandee innecesariamente y/o que la operación no sea uniforme al abrir o cerrar la puerta desde la posición totalmente abierta.



AJUSTES, PASO 1

Ajuste el límite del recorrido HACIA ARRIBA y HACIA ABAJO

Al ajustar el límite del recorrido de la puerta, se regula hasta qué punto ésta se detendrá al abrir y al cerrar.

Para poner en marcha el abridor, oprima el botón de control de la puerta. Haga funcionar el abridor durante un ciclo completo del recorrido.

- ¿La puerta se abre y se cierra completamente?
- ¿La puerta se mantiene cerrada y no retrocede indebidamente cuando está completamente cerrada?

Si su puerta pasa estas dos pruebas, no necesitará hacer más ajustes al límite del recorrido. Pero si no pasa la prueba de la reversa, tendrá que ajustar el límite del recorrido. (Vea Ajustes, Paso 3 en la página 30.)

El procedimiento de ajuste se explica a continuación: Lea el procedimiento con cuidado antes de continuar con el Paso 2 de la Sección de Ajustes. Use un desarmador para hacer los ajustes al límite del recorrido. **Después de llevar a cabo un ajuste, haga funcionar el abridor durante un ciclo completo del recorrido.**

NOTA: El abrir y cerrar la puerta varias veces durante el procedimiento de ajuste puede causar que el abridor se sobrecaliente y al sobrecalentarse se apagará. Sólo espere quince minutos y continúe con los ajustes necesarios.

NOTA: Si algo interfiere con el recorrido de la puerta en su trayectoria hacia arriba, ésta se detendrá. Pero si algo la obstruye en su trayectoria hacia abajo (incluyendo un posible desnivel o desequilibrio), esto activará la reversa y la puerta retrocederá.

CÓMO Y CUÁNDO AJUSTAR LOS LÍMITES

- **Si la puerta no se abre completamente, pero abre por lo menos 1.50 m (5 pies):**

Aumente el límite del recorrido hacia arriba. Dé vuelta al tornillo de ajuste del límite hacia arriba, girándolo hacia la derecha (en el sentido de las manecillas del reloj). Cada revolución del tornillo equivale a 5 cm (2 pulg.) del recorrido.

- **Si la puerta no abre por lo menos 1.50 m (5 pies):**

Ajuste la fuerza del movimiento hacia arriba de la puerta (abierta), como se indica en el Paso 2 de la sección de Ajustes.

- **Si la puerta no cierra completamente:**

Aumente el límite del recorrido hacia abajo, dé vuelta al tornillo de ajuste del límite del recorrido hacia la izquierda (dirección opuesta a las manecillas del reloj); cada revolución del tornillo equivale a 5 cm (2 pulg.) del recorrido.

Si aún después de este ajuste la puerta continúa sin cerrar completamente, alargue el brazo de la puerta (página 26) y disminuya el límite del recorrido hacia abajo.

- **Si la puerta retrocede cuando está en la posición completamente cerrada:**

Disminuya el límite del recorrido hacia abajo, dé vuelta al tornillo de ajuste del límite del recorrido hacia la derecha (dirección de las manecillas del reloj); cada revolución del tornillo equivale a 5 cm (2 pulg.) del recorrido.

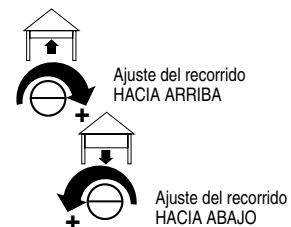
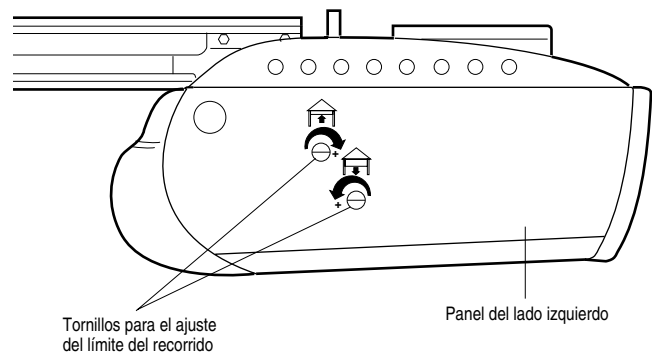
! ADVERTENCIA

Si el sistema de reversa de seguridad no se ha instalado debidamente, las personas (y los niños pequeños en particular) podrían sufrir LESIONES GRAVES o incluso LA MUERTE cuando se cierra la puerta de la cochera.

- El ajuste incorrecto de los límites del recorrido de la puerta de la cochera habrá de interferir con la operación adecuada del sistema de reversa de seguridad.
- Si se ajusta uno de los controles (límites de la fuerza o del recorrido), es posible que sea necesario ajustar también el otro control.
- Después de llevar a cabo cualquier ajuste, SE DEBE probar el sistema de reversa de seguridad. La puerta DEBE retroceder al entrar en contacto con un objeto de 2.5 cm (1 pulg) de altura, o bien un pedazo de madera de 5 x 10 cm (2 x 4) acostado en el piso.

PRECAUCIÓN

Para evitar que los vehículos sufran daños, cerciórese de que cuando la puerta esté completamente abierta deje el espacio suficiente.



- **Si la puerta retrocede al cerrar y no hay ninguna interferencia visible en el ciclo del recorrido:**

Si la luces del abridor parpadean, esto significa que los sensores del sistema de reversa de seguridad no están instalados, no están alineados correctamente, o hay alguna obstrucción. Vea la sección de Diagnóstico de fallas en la página 22.

Pruebe la puerta para verificar que no se doble ni se pandee. Jale la manija de liberación de emergencia, y abra y cierre la puerta manualmente. Si la puerta se pandea, llame a un técnico especializado en sistemas de puertas. Si la puerta no parece estar desnivelada ni se pandea, continúe con el ajuste de la fuerza del movimiento hacia abajo de la puerta (cerrada), como se indica en el Paso 2 de de la sección de Ajustes.

AJUSTES, PASO 2

Ajuste la fuerza

Los tornillos para el ajuste de la fuerza del abridor se encuentran en el panel del lado derecho de la unidad del motor. Estos ajustes controlarán la fuerza que será necesaria para abrir y cerrar la puerta.

Si la fuerza es muy débil, es posible que la puerta haga esos molestos retrocesos al cerrarla (movimiento hacia abajo) y que se detenga al abrirla (movimiento hacia arriba). El clima puede afectar el movimiento de la puerta, así que es posible que tenga que hacer algunos ajustes ocasionalmente.

El máximo para los tornillos de ajuste de la fuerza es 3/4 de una vuelta, no trate de forzar el tornillo más allá de este punto. Use un desarmador para hacer los ajustes.

NOTA: Si algo interfiere con el recorrido de la puerta en su trayectoria hacia arriba, ésta se detendrá. Pero si algo la obstruye en su trayectoria hacia abajo (incluyendo un posible desnivel o desequilibrio), esto activará la reversa y la puerta retrocederá.

CÓMO Y CUÁNDO AJUSTAR LA FUERZA DEL ABRIDOR

1. Pruebe la fuerza del recorrido HACIA ABAJO (cerrar)

- Cierre la puerta manualmente agarrándola por la parte inferior y deténgala más o menos a la mitad del recorrido HACIA ABAJO (cerrar); la puerta deberá retroceder. Si la puerta retrocede a la mitad del recorrido, esto no garantiza que la puerta retrocederá al toparse con una obstrucción de 2.5 cm (1 pulg). Diríjase al Paso 3 de la sección de Ajustes, en la página 30.

Si es difícil sostener la puerta, o bien si la puerta no retrocede, DISMINUYA la fuerza del movimiento HACIA ABAJO (cerrar), con el tornillo de ajuste dándole vuelta hacia la izquierda (dirección opuesta a las manecillas del reloj). Haga pequeños ajustes hasta que la puerta entre en reversa correctamente. Después de llevar a cabo un ajuste, haga funcionar el abridor durante un ciclo completo del recorrido.

- **Si la puerta retrocede automáticamente en la trayectoria hacia abajo (cerrar), y la luz de abridor no está parpadeando,** AUMENTE la fuerza de la trayectoria hacia abajo (cerrar) con el tornillo de ajuste dándole vuelta hacia la derecha (dirección de las manecillas del reloj). Haga pequeños ajustes hasta que la puerta haga un ciclo completo y después de llevar a cabo el ajuste, haga funcionar el abridor durante un ciclo completo del recorrido. *No aumente la fuerza más del mínimo necesario para cerrar la puerta.*

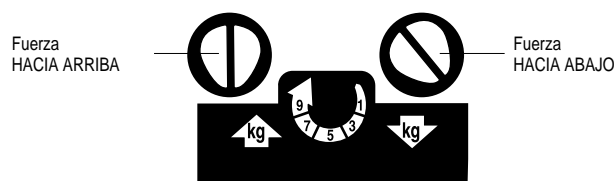
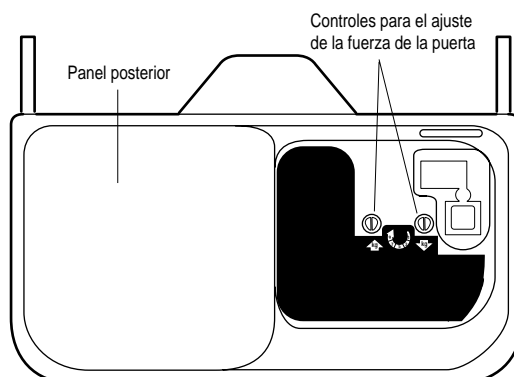
2. Pruebe la fuerza del recorrido HACIA ARRIBA (abrir):

- Cierre la puerta manualmente agarrándola por la parte inferior y deténgala más o menos a la mitad del recorrido HACIA ARRIBA (abrir); la puerta deberá detenerse. **Si la puerta no se detiene o es difícil sostenerla,** DISMINUYA la fuerza de la puerta HACIA ARRIBA con el tornillo de ajuste, dándole vuelta hacia la izquierda (dirección opuesta a las manecillas del reloj). Haga pequeños ajustes hasta que la puerta haga un ciclo completo. Después de llevar a cabo el ajuste, haga funcionar el abridor durante un ciclo completo del recorrido.

! ADVERTENCIA

Si el sistema de reversa de seguridad no se ha instalado debidamente, las personas (y los niños pequeños en particular) podrían sufrir LESIONES GRAVES o incluso LA MUERTE cuando se cierra la puerta de la cochera.

- Si el límite de la fuerza de la puerta de la cochera es excesivo habrá de interferir con la operación adecuada del sistema de reversa de seguridad.
- NUNCA aumente la fuerza más allá de la cantidad mínima que se requiera para cerrar la puerta de la cochera.
- NUNCA use los ajustes de la fuerza para compensar si la puerta de la cochera se pandea o se atora.
- Si se ajusta uno de los controles (límites de la fuerza o del recorrido), es posible que sea necesario ajustar también el otro control.
- Después de llevar a cabo cualquier ajuste, SE DEBE probar el sistema de reversa de seguridad. La puerta DEBE retroceder al entrar en contacto con un objeto de 2.5 cm (1 pulg) de altura (o bien un pedazo de madera de 5 x 10 cm (2x4) acostado en el piso).



- **Si la puerta no abre por lo menos 1.5 m (5 pies),** AUMENTE la fuerza del RECORRIDO HACIA ARRIBA (abrir) con el tornillo de ajuste, dándole vuelta hacia la derecha (dirección de las manecillas del reloj). Haga pequeños ajustes hasta que la puerta abra completamente. Reajuste el límite del recorrido HACIA ARRIBA si es necesario. Después de llevar a cabo el ajuste, haga funcionar el abridor durante un ciclo completo del recorrido.

AJUSTES, PASO 3

Pruebe el sistema de reversa de seguridad

PRUEBA

- Abra completamente la puerta, coloque un pedazo de madera de 2.5 cm (1 pulg.) (o un pedazo de madera de 5x10 cm (2x4 pulg.) acostado sobre el piso acostado sobre el piso al centro de la puerta de la cochera.
- Opere la puerta en la dirección hacia abajo. La puerta **deberá** entrar en reversa automáticamente al hacer contacto con la obstrucción.

AJUSTE

- Si la puerta se detiene al toparse con la obstrucción, esto significa que el recorrido hacia abajo (cerrar) no es el suficiente. Aumente el límite del recorrido HACIA ABAJO, con el tornillo correspondiente, haciéndolo girar 1/4 de vuelta hacia la izquierda (dirección opuesta a las manecillas del reloj).

NOTA: Si su puerta es seccional, asegúrese de que los ajustes al límite no hagan que el brazo de la puerta se mueva más allá de una posición recta hacia arriba y hacia abajo. Vea la ilustración de la página 26.

- Repita la prueba.
- Si la puerta retrocede automáticamente al hacer contacto con el pedazo de madera de 2.5 cm (1 pulg.), quite la obstrucción y abra y cierre la puerta completamente por lo menos cuatro o cinco veces para verificar que el ajuste sea adecuado.

VERIFICACIÓN IMPORTANTE DE SEGURIDAD:

Repita los pasos de Ajustes 1, 2 y 3 cada vez que:

- Se hagan ajustes al largo del brazo de la puerta, los límites del recorrido, o los controles de la fuerza.
- Se hagan reparaciones o ajustes a la puerta de la cochera (incluyendo los resortes y la tornillería).
- Se hagan reparaciones al piso de la cochera porque esté desnivelado, etc.
- Se hagan reparaciones o ajustes al abridor.

AJUSTES, PASO 4

Pruebe el sensor del sistema de reversa de seguridad

- Oprima el botón de la unidad de control remoto para abrir la puerta.
- Coloque la caja de cartón del abridor en la trayectoria de la puerta.
- Oprima de nuevo el botón de la unidad de control remoto para cerrar la puerta, ésta no se deberá de mover más de una pulgada y las luces del abridor empezarán a parpadear.

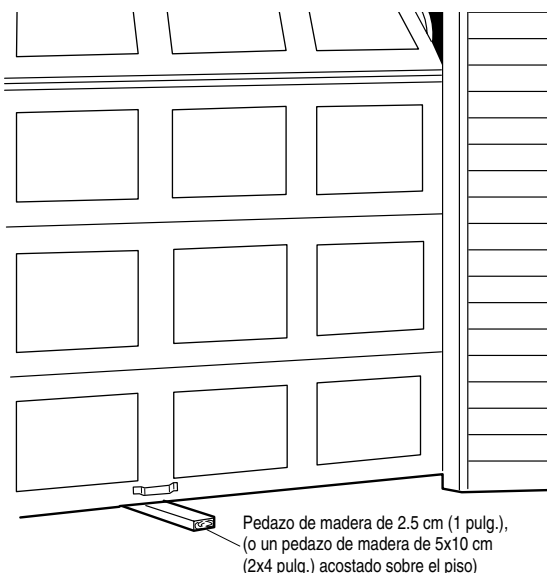
La puerta no se podrá cerrar con ninguno de los controles remotos si las luces indicadoras de cualquiera de los sensores están apagadas (indicándole que los sensores están fuera de alineación, o que existe alguna obstrucción).

Si el abridor cierra la puerta cuando el sensor del sistema de reversa de seguridad está obstruido (y los sensores no están a más de 15 cm (6 pulg.) del piso), llame a un técnico especializado en sistemas de puertas.

⚠ ADVERTENCIA

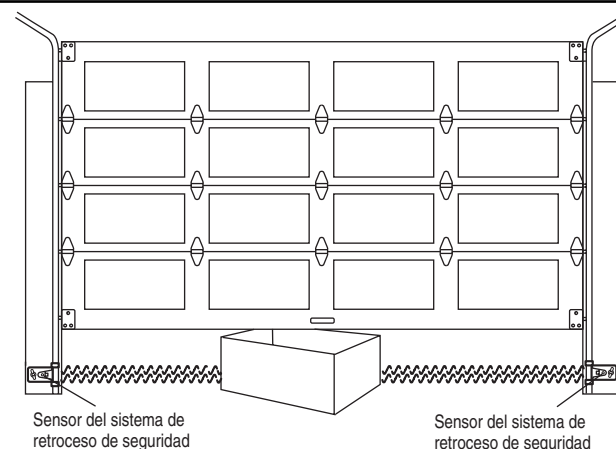
Si el sistema de reversa de seguridad no se ha instalado debidamente, las personas (y los niños pequeños en particular) podrían sufrir LESIONES GRAVES o incluso LA MUERTE cuando se cierra la puerta de la cochera.

- El sistema de reversa de seguridad **SE DEBE** probar cada mes.
- Si se ajusta uno de los controles (límites de la fuerza o del recorrido), es posible que sea necesario ajustar también el otro control.
- Después de llevar a cabo cualquier ajuste, **SE DEBE** probar el sistema de reversa de seguridad. La puerta **DEBE** retroceder al entrar en contacto con un objeto de 2.5 cm (1 pulg) de altura (o bien un pedazo de madera de 5 x 10 cm (2 x 4) acostado en el piso.



⚠ ADVERTENCIA

Si el sensor de reversa de seguridad no se ha instalado debidamente, las personas (y los niños pequeños en particular) podrían sufrir LESIONES GRAVES o incluso LA MUERTE cuando se cierra la puerta de la cochera.



IMPORTANTES INSTRUCCIONES DE SEGURIDAD

ADVERTENCIA

Para reducir el riesgo de lesiones graves o la muerte:

1. LEA Y RESPETE TODAS LAS ADVERTENCIAS Y LAS INSTRUCCIONES DE OPERACIÓN
2. SIEMPRE conserve los controles remotos lejos del alcance de los niños. NUNCA permita que los niños operen o jueguen con los botones del control de la puerta de la cochera ni con los controles remotos.
4. SÓLO active la puerta de la cochera siempre y cuando la puedan ver con claridad, esté debidamente ajustada y no haya ninguna obstrucción en el recorrido de la puerta al cerrarse.
5. NADIE DEBE PASAR POR DEBAJO DE LA PUERTA SI ESTÁ DETENIDA Y PARCIALMENTE ABIERTA.
6. SIEMPRE tenga la puerta de la cochera a la vista hasta que esté completamente cerrada. nadie debe atravesar el recorrido de la puerta cuando está EN MOVIMIENTO.
7. De ser posible, use la liberación de emergencia para soltar el trole SÓLO cuando la puerta de la cochera esté CERRADA. Si los resortes están débiles o rotos, o bien si la puerta está desequilibrada podría suceder que la puerta se caiga rápida y/o inesperadamente cuando esté abierta.
8. NUNCA use la manija para jalar la puerta para abrirla o cerrarla. Si el nudo de la cuerda se suelta, usted podría caerse.
9. Si se ajusta uno de los controles (límites de la fuerza o del recorrido), es posible que sea necesario ajustar también el otro control.
10. Después de llevar a cabo cualquier ajuste, SE DEBE probar el sistema de reversa de seguridad.
11. El sistema de reversa de seguridad SE DEBE probar cada mes. La puerta DEBE retroceder al entrar en contacto con un objeto de 2.5 cm (1 pulg) de altura o bien un pedazo de madera de 5 x 10 cm (2x4) acostado en el piso.
12. SIEMPRE mantenga la puerta de la cochera debidamente equilibrada (vea la página 3). Si la puerta no está debidamente equilibrada podría no retroceder cuando así se requiere, lo que podría ocasionar una LESIÓN GRAVE o incluso la MUERTE.
13. Todas las reparaciones necesarias en los cables, resortes y otras piezas las DEBE llevar a cabo un técnico especializado en sistemas de puertas, pues todas estas piezas están bajo una tensión EXTREMA.
14. SIEMPRE desconecte el suministro de energía eléctrica al abridor de la puerta de la cochera antes de llevar a cabo cualquier reparación o de quitar las cubiertas.
15. **CONSERVE ESTAS INSTRUCCIONES.**

Cómo usar su abridor de puerta de cochera

Su abridor Security+ y el control remoto manual han sido programados en la fábrica con un código coincidente que cambia cada vez que se usa, accediendo al azar más de 100,000 millones de códigos nuevos. Su abridor funcionará con varios controles remotos Security+, utilizando hasta 8 funciones y un Sistema de entrada sin llave de Security+. Si compra un control remoto nuevo, o si desea desactivar algún control remoto, siga las instrucciones que aparecen en la sección sobre Cómo programar el abridor.

Active su abridor de alguna de las siguientes maneras:

- *El Control remoto manual:* Mantenga oprimido el botón grande hasta que la puerta se empiece a mover.
- *El Control de pared de la puerta:* Mantenga oprimido el botón hasta que la puerta se empiece a mover.
- *La Entrada sin llave (vea Accesorios):* Si su abridor de puerta de cochera viene con este accesorio, deberá estar programado antes de usarlo. Vea *Cómo programar el abridor*.

Una vez activado el abridor (con el sensor de seguridad de reversa correctamente instalado y alineado)

1. Si la puerta está abierta se va a cerrar. Si la puerta está cerrada se va a abrir.
2. Si la puerta se está cerrando va a retroceder.
3. Si la puerta se está abriendo se va a detener.
4. Si la puerta se ha detenido en un punto parcialmente abierta, se va a cerrar.
5. Si al cerrarse la puerta se topó con alguna obstrucción, va a retroceder. Si la obstrucción interrumpe el rayo del sensor, las luces del abridor van a parpadear durante cinco segundos.

6. Si al abrirse la puerta se topó con alguna obstrucción, se va a detener.
7. Si la puerta está completamente abierta, no va a cerrar si el rayo está interrumpido. El sensor no tiene ningún efecto en el ciclo de apertura.

Si el sensor no se ha instalado o está desalineado, la puerta no va a cerrar con el control remoto manual. Sin embargo, la puerta se puede cerrar con el Control de la puerta, el Interruptor de la llave externa, o la Entrada sin llave, *siempre y cuando los active hasta que el recorrido hacia abajo haya terminado*. Si suelta demasiado pronto, la puerta va a retroceder.

Las luces del abridor se van a encender en los siguientes casos: siempre que conecte el abridor inicialmente; cuando se restaura el suministro de energía después de una interrupción; cuando el abridor se activa.

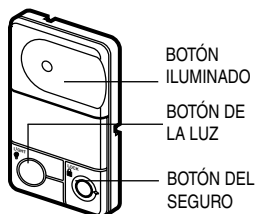
Las luces se apagan automáticamente después de cuatro minutos y medio, o se quedan encendidas cuando se activa Luz en la Consola de control Premium. Los focos deben ser de 100 vatios máximo.

La característica de la luz del Security+: Las luces se van a encender también si alguien camina por la puerta de la cochera cuando está abierta. Si tiene la Consola de control Premium, esto puede desactivarse como sigue: Con las luces del abridor apagadas, oprima y mantenga oprimido el botón de la luz durante 10 segundos hasta que la luz se encienda y se apague de nuevo. Para volver a activar esto, empiece el procedimiento con las luces encendidas, luego oprima y mantenga oprimido el botón de la luz durante 10 segundos hasta que la luz se apague y luego se encienda de nuevo.

Cómo usar la unidad de control de pared

LA CONSOLA DE CONTROL PREMIUM

Oprima el botón iluminado para abrir o cerrar la puerta. Oprima de nuevo para que la puerta retroceda en el ciclo de cierre o para detener la puerta cuando se está abriendo.



Luz

Oprima el botón Luz para encender o apagar la luz del abridor. Este botón no controla las luces del abridor cuando la puerta está en movimiento. Si usted enciende la luz y luego activa el abridor, la luz permanecerá encendida durante cuatro minutos y medio. Oprima el botón nuevamente para que la luz se apague antes. El intervalo de cuatro minutos y medio puede cambiarse a un minuto y medio, dos minutos y medio o tres minutos y medio, como sigue: Oprima y mantenga oprimido el botón del seguro (Lock) hasta que la luz empiece a parpadear (alrededor de 10 segundos). Si parpadea una vez, esto indica que el medidor de tiempo se ha fijado a un minuto y medio. Repita el procedimiento y la luz parpadeará dos veces, lo que significa que el intervalo se ha fijado en dos minutos y medio. Repita una vez más si desea un intervalo de tres minutos y medio, etc., hasta un máximo de cuatro minutos y medio, en cuyo caso la luz parpadeará cuatro veces.

Seguro

Esta función está diseñada para evitar la operación de la puerta con los controles remotos manuales. No obstante, la puerta se puede abrir y cerrar con los siguientes accesorios: el Control de la puerta, el Interruptor de la llave externa, y la Entrada sin llave.

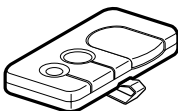
Para activar esta función oprima y mantenga oprimido el botón del seguro (Lock) por dos segundos. La luz del botón va a parpadear mientras esté activado el seguro.

Para desactivar la función, oprima y mantenga oprimido el botón del seguro por dos segundos. La luz del botón dejará de parpadear. La función del seguro también se apaga siempre que el botón "aprender" del panel del motor esté activado.

Función adicional cuando se usa con el control remoto manual de tres funciones

Para controlar las luces del abridor:

Además de la operación de la puerta, también puede programar el control remoto para el funcionamiento de las luces.



1. Con la puerta cerrada, oprima y mantenga oprimido un botón pequeño del control remoto que desee usar para el control de la luz.
2. Oprima y mantenga oprimido el botón Luz de la Consola de control Premium.
3. Mientras mantiene oprimido el botón Luz, oprima y mantenga oprimido el botón del seguro (Lock) del control de la puerta.
4. Después que las luces del abridor se enciendan brevemente, suelte todos los botones.

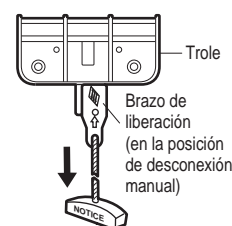
Cómo abrir la puerta manualmente

⚠ ADVERTENCIA

- Para evitar la posibilidad de una **LESIÓN GRAVE** o incluso **LA MUERTE** si la puerta de la cochera se cae:
 - De ser posible, use la manija de liberación de emergencia para soltar el trole **SÓLO** cuando la puerta de la cochera esté **CERRADA**. Si los resortes están débiles o rotos, o bien si la puerta está desequilibrada podría suceder que la puerta abierta se caiga rápida y/o inesperadamente.
 - **NUNCA** use la manija de liberación de emergencia a menos que la entrada a la cochera esté libre de obstrucciones y no haya ninguna persona presente.
- **NUNCA** use la manija para jalar la puerta para abrirla o cerrarla. Si el nudo de la cuerda se suelta, usted podría caerse.

CÓMO DESCONECTAR EL TROLE:

La puerta debe estar completamente cerrada si es posible. Jale la manija de liberación de emergencia (de manera que el brazo de liberación del trole quede en una posición vertical) y levante la puerta manualmente. La función de *seguro* evita que el trole se vuelva a conectar automáticamente, y la puerta pueda subirse y bajarse manualmente con la frecuencia que sea necesaria.



Posición con el seguro (Desconexión manual)

CÓMO RECONECTAR EL TROLE:

Jale la manija de liberación de emergencia hacia el abridor en un ángulo de 45 grados, de manera que el brazo de liberación del trole quede horizontal. El trole se reconecta en la siguiente operación **HACIA ARRIBA** o **HACIA ABAJO**, ya sea manual o mediante el uso del control de la puerta o del control remoto.

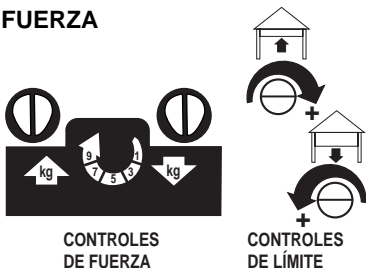


Para reconectar

Mantenimiento de su abridor de puerta de cochera

AJUSTES DE LÍMITE Y FUERZA

Las condiciones climatológicas pueden ocasionar cambios menores en la operación de la puerta, los cuales van a requerir algunos reajustes, en particular durante el primer año de operación.



En las páginas 28 y 29 se encuentra la información sobre los ajustes de límite y de fuerza. Lo único que necesita es un desarmador. Siga las instrucciones con todo cuidado.

Repita la prueba de la reversa de seguridad (página 30) después de hacer ajustes a los límites o la fuerza.

CALENDARIO DE MANTENIMIENTO

Una vez al mes

- Haga funcionar la puerta manualmente. Si está desequilibrada o se pandea, llame a un técnico profesional que dé servicio a puertas de cochera.
- Revise para cerciorarse que la puerta se abre y se cierra completamente. Ajuste los límites y/o la fuerza de ser necesario. (Vea las páginas 28 y 29.)
- Repita la prueba de la reversa de seguridad. Haga los ajustes necesarios. (Vea la página 30).

Una vez al año

- Ponga aceite en los rodillos, los cojinetes y las bisagras de la puerta. El abridor no necesita lubricación adicional. No lubrique los rieles de la puerta.

LA BATERÍA DEL CONTROL REMOTO

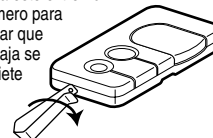
⚠ ADVERTENCIA

Para evitar la posibilidad de LESIONES GRAVES o incluso LA MUERTE:

- NUNCA permita que los niños pequeños estén cerca de las baterías.
- Si alguien se traga una batería, llame al médico de inmediato.

La batería de litio debe producir energía durante cinco años. Para cambiar la batería use el clip del visor o un desarmador para abrir la caja, como se indica en la ilustración. Coloque la batería con el lado positivo hacia abajo.

3-FUNCIONES
Abra este extremo primero para evitar que la caja se agriete



Deseche las baterías viejas de la manera adecuada.

AVISO: Para cumplir con las reglas de la FCC y/o de Canadá (IC), las reglas, ajustes o modificaciones de este receptor y/o transmisor están prohibidos, excepto por el cambio de la graduación del código o el reemplazo de la pila. NO HAY OTRAS PIEZAS REPARABLES DEL USUARIO.

Se ha probado para cumplir con las normas de la FCC para USO DEL HOGAR O DE LA OFICINA. La operación está sujeta a las dos condiciones siguientes: (1) este dispositivo no puede causar interferencia perjudicial, y (2) este dispositivo debe aceptar cualquier interferencia recibida, incluyendo la interferencia que puede causar una operación no deseable.

Si tiene algún problema

1. El abridor no funciona con el control de la puerta ni con el control remoto:

- ¿Está el abridor conectado a la electricidad? Conecte una lámpara a la toma de corriente. Si no se enciende, revise la caja de fusibles o el cortacircuito. (Algunas tomas de corriente se controlan con un interruptor de pared).
- ¿Ha desactivado todas los seguros de las puertas? Revise las advertencias de las instrucciones de instalación que aparecen en la página 11.
- ¿Hay nieve o hielo acumulado debajo de la puerta? La puerta puede congelarse y quedarse pegada al piso. Elimine esta restricción.
- El resorte de la puerta de cochera puede estar roto. Haga que lo cambien.
- Es posible que las repetidas operaciones hayan disparado el protector de sobrecarga del motor. Espere 15 minutos y vuelva a intentar.

2. El abridor opera con el control remoto, pero no funciona con el control de la puerta:

- ¿Está iluminado el control? Si no lo está, invierta los cables. Si el abridor funciona, revise que los alambres estén bien conectados en el control de la puerta, vea si hay algún corto debajo de las grapas o algún alambre roto.
- ¿Las conexiones del cableado son correctas? Revise el Paso 7 de la sección de Instalación en la página 21.

3. La puerta funciona con el control de la puerta, pero no funciona con el control remoto:

- ¿Está parpadeando el botón de la puerta? Si el modelo de su abridor tiene la función de seguro (Lock), cerciórese de que esté apagada.
- Programe el abridor para que coincida con el código del control remoto. (Consulte las instrucciones que se encuentran en el panel del motor). Repita esto con todos los controles remotos.

4. El control remoto tiene corto alcance:

- Cambie la ubicación del control remoto en su coche.
- Revise y cerciórese de que la antena que se encuentra a un lado o en el panel posterior de la unidad del motor se extienda hacia abajo completamente.
- Algunas instalaciones pueden tener menor alcance si las puertas son de metal, tienen aislamiento, o el recubrimiento externo de la cochera es de metal. (Estuche de extensión de antena 41A3504).

5. El ruido que hace el abridor molesta en las habitaciones de la casa:

- Si el ruido de la operación del abridor es un problema porque las habitaciones de la casa estén muy cerca, se puede instalar un Aislador de la vibración 41A3263. Este accesorio está diseñado para minimizar la vibración en la casa y es fácil de instalar.

6. La puerta de la cochera se abre y se cierra por sí misma:

- Asegúrese que todos los botones del control remoto estén apagados.
- Quite el alambre del timbre de las terminales del control de la puerta y haga funcionar la puerta solamente con el control remoto. Si esto resuelve el problema, el control de la puerta tiene alguna falla (cámbielo), o hay algún corto intermitente en el alambre entre el control de la puerta y la unidad del motor.
- Limpie la memoria y vuelva a programar todos los controles remotos.

7. La puerta no habla completamente:

- ¿Hay algo que esté obstruyendo la puerta? ¿Está desequilibrada, o los resortes están rotos? Elimine la obstrucción o repare la puerta.
- Si la puerta está en buenas condiciones pero no abre completamente, aumente la fuerza hacia arriba. Vea *Ajustes, Paso 2*.
- Si la puerta abre por lo menos cinco pies, es posible que se tengan que aumentar los límites del recorrido. Una vuelta equivale a 5 cm (2 pulg.) del recorrido. Vea *Ajustes, Paso 1*.

Repita la prueba de seguridad de reversa después de terminar el ajuste.

8. La puerta se detiene pero no cierra completamente:

- Revise los procedimientos de ajuste de los límites del recorrido que aparecen en la página 28.

Repita la prueba de seguridad de reversa después de realizar cualquier ajuste al largo del brazo de la puerta, a la fuerza o al límite hacia abajo.

9. La puerta se abre pero no se cierra:

- Si las luces del abridor parpadean, revise el sensor de seguridad de reversa. Vea la sección de Instalación, Paso 10.
- Si las luces del abridor no parpadean y se trata de una instalación nueva, revise la fuerza hacia abajo. Vea la sección de Ajustes, Paso 2. Si se trata de una instalación ya existente, vea a continuación.

Repita la prueba de seguridad de reversa después de terminar el ajuste.

10. La puerta retrocede sin razón aparente y las luces del abridor no parpadean:

- ¿Hay algo que esté obstruyendo la puerta? Jale la manija de liberación de emergencia. Opere la puerta manualmente. Si está desequilibrada o se pandea, llame a un técnico especializado en sistemas de puertas.
- Limpie el piso de la cochera si tiene hielo o nieve en el punto donde la puerta cierra.
- Revise *Ajustes, Paso 2*.
- Si la puerta retrocede a la posición completamente cerrada, disminuya los límites de recorrido (*Ajustes, Paso 1*).

Repita la prueba de seguridad de reversa después de hacer los ajustes a la fuerza o a los límites del recorrido. La necesidad de un ajuste ocasional de la fuerza y del límite es normal. Las condiciones climatológicas en particular pueden afectar el recorrido de la puerta.

11. La puerta retrocede sin razón aparente y las luces del abridor parpadean por cinco segundos después de que retrocede:

- Revise el sensor de reversa de seguridad. Quite cualquier obstrucción o alinee el ojo receptor. Vea la sección de Instalación, Paso 9.

12. Las luces del abridor no se encienden:

- Cambie los focos (de 100 vatios máximo). Use un foco estándar para puerta de cochera, si el foco se funde.

13. Las luces del abridor no se apagan:

- ¿Está activada la función de luz? Si es así, apáguela.

14. El abridor necesita la máxima fuerza para operar la puerta:

- La puerta podría estar desequilibrada, o los resortes podrían estar rotos. **Cierre la puerta** y use la manija de liberación de emergencia para desconectar el trole. Abra y cierre la puerta manualmente. Si la puerta está bien equilibrada se sostiene en cualquier punto del recorrido con sólo el soporte de sus resortes. Si esto no ocurre, desconecte el abridor y llama a un técnico especializado en sistemas de puertas. **No aumenta la fuerza para operar el abridor.**

15. El motor hace un ruido brevemente pero luego no funciona

- Los resortes de la puerta de cochera podrían estar rotos. Vea los párrafos anteriores.
- Si el problema se presenta la primera vez que opera el abridor, puede ser que la puerta esté con seguro. Quite el seguro de la puerta.

Repita la prueba de seguridad de reversa después de terminar el ajuste

16. El abridor no funciona debido a una falla en el suministro de energía

- Use la manija de liberación de emergencia para desconectar el trole. La puerta se puede abrir y cerrar manualmente. Cuando se restaure el suministro de energía, oprima el botón de control de la puerta y el trole se vuelve a conectar automáticamente (a menos que esté con seguro). Vea la página 32.
- El accesorio Llave de liberación de emergencia (que se usa solamente en las cocheras que no tienen una puerta de servicio) desconecta el trole desde afuera de la cochera en caso de una falla en el suministro de energía.

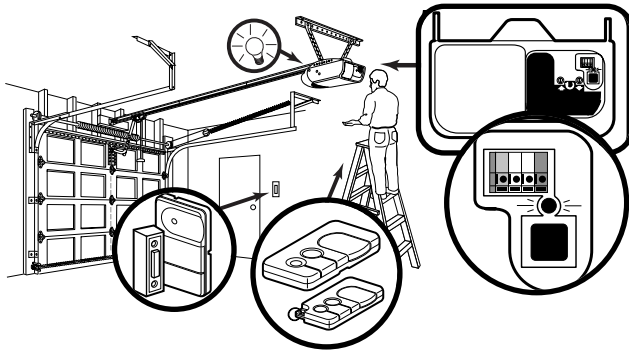
COMO PROGRAMAR EL ABRIDOR

Su abridor de puerta de cochera ya viene programado de fábrica para operar con su control remoto manual. La puerta se abrirá y se cerrará cuando oprima el botón grande.

A continuación aparecen las instrucciones para programar su abridor para que opere con controles remotos Security+ adicionales.

Cómo agregar un control remoto manual adicional

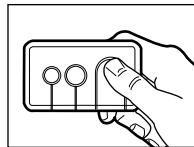
CÓMO USAR EL BOTÓN "APRENDER" (LEARN)



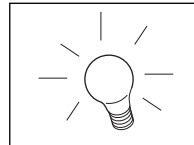
1. Oprima y suelte el botón "Aprender" de la unidad del motor. La luz indicadora de este botón estará encendida por 30 segundos.



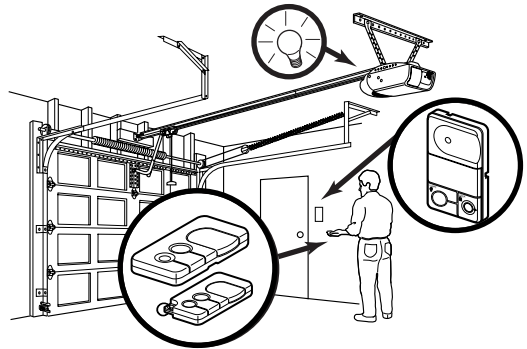
2. En 30 segundos, oprima y mantenga oprimido el botón del control remoto manual* que desee usar para su puerta de cochera.



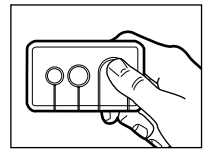
3. Suelte el botón cuando las luces de la unidad del motor empiecen a parpadear. Ya aprendió el código. Si no se han puesto focos, se escucharán dos chasquidos.



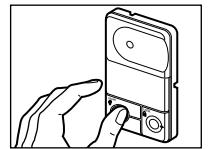
CÓMO USAR LA CONSOLA DE CONTROL PREMIUM



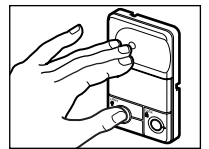
1. Oprima y mantenga oprimido el botón del control remoto manual* que desee usar para la puerta de su cochera.



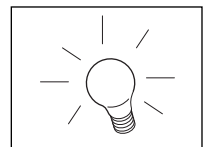
2. Mientras mantiene oprimido el botón del control remoto, oprima y mantenga oprimido el botón LUZ (LIGHT) de la Consola de Control Premium.



3. Continúe oprimiendo los dos botones mientras oprime también la barra de la Consola de Control Premium (con los tres botones oprimidos).



4. Suelte los botones cuando las luces de la unidad del motor empiecen a parpadear. Ya aprendió el código. Si no se han puesto focos, se escucharán dos chasquidos.



Para borrar todos los códigos de la memoria de la unidad del motor

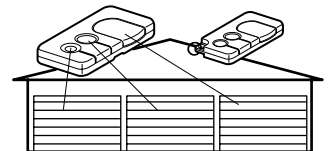
Para desactivar cualquier control remoto que no desee usar, antes que nada borre todos los códigos:

Oprima y mantenga oprimido el botón "Aprender" de la unidad del motor, hasta que la luz del indicador de "Aprender" se apague (aproximadamente 6 segundos). Ya estarán borrados todos los códigos anteriores. Vuelva a programar cada uno de los controles remotos o la entrada sin llave que desee usar.



*Controles remotos de funciones múltiples

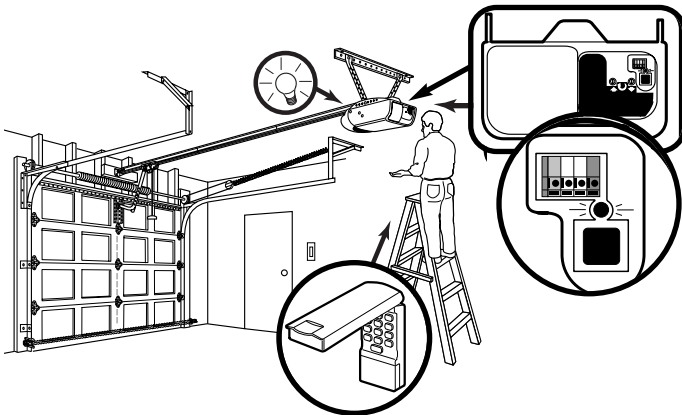
Si su abridor de puerta de cochera tiene un botón grande, su operación ha sido programada en la fábrica. Los botones adicionales de cualquier control remoto de funciones múltiples Security+, o de un mini control remoto pueden programarse para operar otros abridores de puerta de cochera Security+.



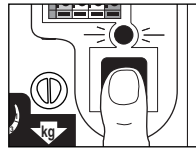
Para poner o cambiar el PIN de la Entrada sin llaves

NOTA: Su nueva Entrada sin llave debe programarse para que opere el abridor de la puerta de su cochera.

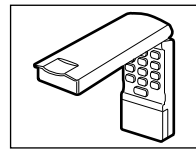
CÓMO USAR EL BOTÓN "APRENDER" (LEARN)



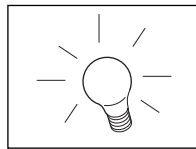
1. Oprima y suelte el botón "Aprender" de la unidad del motor. La luz indicadora de este botón estará encendida por 30 segundos.



2. En 30 segundos, ingrese un número de identificación personal (PIN) que haya elegido, usando el teclado. Luego oprima y mantenga oprimido el botón ENTER.



3. Suelte el botón cuando las luces de la unidad del motor empiecen a parpadear. Ya aprendió el código. Si no se han puesto focos, se escucharán dos chasquidos.



Para cambiar un PIN existente

Si el PIN existente ya es conocido, una persona lo puede cambiar sin usar una escalera.

1. Oprima los cuatro botones que correspondan al PIN actual, luego oprima y mantenga oprimido el botón #. La luz del abridor parpadeará dos veces. Suelte el botón #.

2. Oprima el nuevo PIN de cuatro dígitos y luego oprima Enter.

Las luces de la unidad del motor van a parpadear una vez cuando el PIN se haya aprendido.

Pruebe oprimiendo el nuevo PIN, luego oprima Enter. La puerta debe moverse.

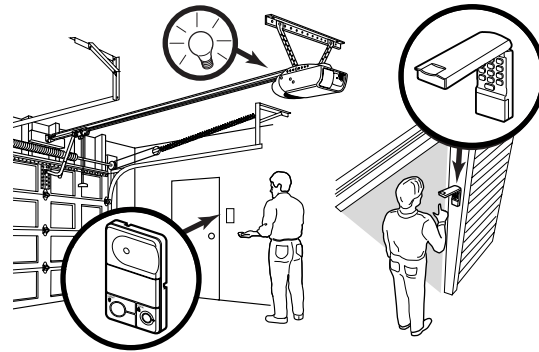
Para poner un PIN temporal

Usted puede autorizar el acceso a sus visitas o a personal de servicio con un PIN temporal de cuatro dígitos. Después de un determinado número de horas programadas, o número de accesos, este PIN temporal expira y no vuelve a abrir la puerta. Se puede usar para cerrar la puerta aún después de que haya expirado. Haga lo siguiente para poner un PIN temporal:

1. Oprima los cuatro botones correspondientes a su PIN de entrada personal (no el último PIN temporal); luego oprima y mantenga oprimido el botón *.

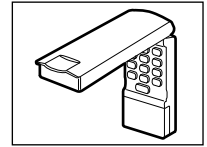
La luz del abridor va a parpadear tres veces. Suelte el botón.

CÓMO USAR LA CONSOLA DE CONTROL PREMIUM

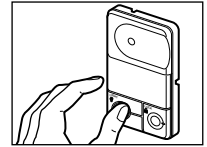


NOTA: Este método requiere dos personas si la Entrada sin llaves ya está montada afuera de la cochera.

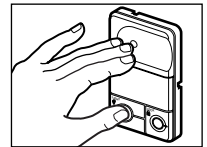
1. Ingrese un número de identificación personal (PIN) que haya elegido, usando el teclado. Luego oprima y mantenga oprimido el botón ENTER.



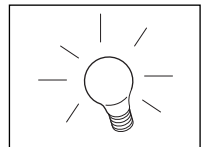
2. Mientras mantiene oprimido el botón ENTER, oprima y mantenga oprimido el botón de la luz (LIGHT) de la Consola de Control Premium.



3. Continúe oprimiendo los dos botones, ENTER y LIGHT, mientras oprime también la barra de la Consola de Control Premium (con los tres botones oprimidos).



4. Suelte los botones cuando las luces de la unidad del motor empiecen a parpadear. Ya aprendió el código. Si no se han puesto focos, se escucharán dos chasquidos.



2. Oprima los cuatro dígitos del PIN temporal que haya elegido, luego oprima Enter.

La luz del abridor va a parpadear cuatro veces.

3. Para fijar el número de horas que el PIN temporal debe funcionar, oprima el número de **horas** (hasta 255), luego oprima *.

0

3. Para fijar el número de **veces** que el PIN temporal debe funcionar, oprima el número de veces (hasta 255), luego oprima #.

Las luz del abridor va a parpadear una vez cuando el PIN temporal haya sido aprendido.

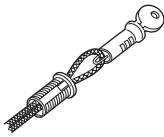
Pruebe oprimiendo los cuatro botones correspondientes al PIN temporal, luego oprima Enter. La puerta debe moverse. Si el PIN temporal se ha fijado para abrir la puerta un determinado número de veces, recuerde que la prueba constituye una vez. Para borrar la contraseña temporal, repita los pasos 1 al 3; fijando el número de horas o de veces en 0, en el paso 3.

ACCESORIOS

139.53702

Liberador de la llave de emergencia:

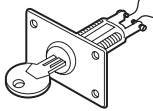
Se requiere en las cocheras que NO tienen puerta de acceso. Permite al dueño o de la casa abrir la puerta de la cochera manualmente desde el exterior, desconectando el trole.



139.53703

Interruptor de la llave externa:

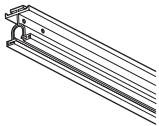
Opera la puerta de la cochera automáticamente desde el exterior cuando el control remoto no está a la mano.



139.53404

Extensión del riel de 2.40 m (8 pies):

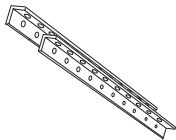
Permite que una puerta de 2.40 m (8 pies) se abra completamente.



139.53589

Ménsulas de soporte:

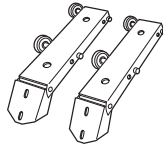
Para cielos rasos sin acabados o en los casos en que se necesite soporte adicional, basado en la construcción de la cochera. Incluye las ménsulas y los sujetadores.



139.53709

Ménsulas para la altura de la puerta: (Sólo para puertas seccionales)

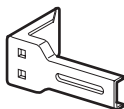
Sustituyen a las ménsulas superiores y los rodillos de la puerta para reducir la altura del recorrido de la puerta. Para usarse cuando se instala el abridor en una cochera con poca tolerancia (altura).



41A5281

Ménsulas de extensión: (Sólo están disponibles a través de Refacciones y Servicio Sears)

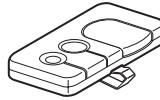
(Opcionales) Para la instalación del sensor de seguridad en la pared o en el piso.



139.53681

SECURITY+ Control remoto de 3 funciones:

Incluye el clip del visor.



139.53680

SECURITY+ Control remoto compacto de 3 funciones:

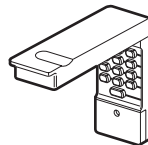
Con lazada para ponerse en el llavero.



139.53684

SECURITY+ Entrada sin llave:

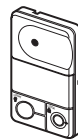
Permite al dueño de la casa operar la puerta de la cochera desde el exterior, ingresando una contraseña. También puede agregarse una contraseña temporal para visitas o personal de servicio.



139.53687

Consola de control Premium:

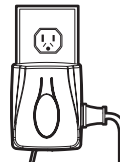
Cuenta con una función de seguro para evitar que la puerta de la cochera funcione desde controles remotos portátiles. Cuenta también con una función de luz que controla las luces del abridor. Se puede usar para programar el abridor para aceptar controles remotos adicionales.



139.53686

Control de luz enchufable:

Permite al dueño de la casa encender una lámpara, la televisión, u otro aparato doméstico con el control remoto desde el coche, la cama, o dondequiera que se encuentre en la casa.



GARANTÍA

GARANTÍA SEARS

EL ABRIDOR DE PUERTA DE COCHERA TIENE UNA GARANTÍA COMPLETA DE 90 DÍAS

Durante 90 días a partir de la fecha de compra, Sears hará las reparaciones de su Abridor de puerta de cochera sin costo para usted si el abridor tiene defectos en materiales o mano de obra.

GARANTÍA LIMITADA

A partir del día 91o. y hasta transcurrido tres años desde la fecha de compra, Sears proporcionará las piezas de repuesto que estén defectuosas, sin costo alguno. Usted paga la mano de obra.

GARANTÍA LIMITADA DEL MOTOR

Motor de 1/2 caballo de fuerza: Después del primer año y hasta un plazo de 7 años, si el motor del Abridor de puerta de cochera está defectuoso, Sears proporcionará un motor de repuesto, sin costo alguno. Usted paga la mano de obra.

LÍMITE DE LA RESPONSABILIDAD

SEARS NO SERÁ RESPONSABLE POR LAS PÉRDIDAS O DAÑOS QUE SUFRA LA PROPIEDAD, NI POR PÉRDIDAS O GASTOS INCIDENTALES O CONSECUENTES DERIVADOS DE DAÑOS A LA PROPIEDAD QUE PUDIERAN DIRECTA O INDIRECTAMENTE SER EL RESULTADO DEL USAR ESTE PRODUCTO. En algunos estados no está permitido la exclusión o límite de los daños incidentales o consecuentes, de manera que el límite o exclusión arriba citado puede no aplicar en su caso.

Esta garantía no cubre focos ni piezas de repuesto necesarias cuando este producto se ha tratado indebidamente o con negligencia, incluyendo no llevar a cabo la instalación, ajuste y operación de este abridor de puerta de cochera de acuerdo a las instrucciones contenidas en el instructivo del propietario.

EL SERVICIO DE GARANTÍA ESTÁ DISPONIBLE CON PONERSE EN CONTACTO CON EL CENTRO DE SERVICIO SEARS MÁS CERCANO EN LOS ESTADOS UNIDOS.

Esta garantía aplica solamente mientras este producto se esté usando en los Estados Unidos.

Esta garantía le otorga derechos legales específicos, y usted podría tener otros derechos que pueden ser diferentes en cada estado.

Sears, Roebuck and Co., Dept. 817WA, Hoffman Estates, IL 60179

Get it fixed, at your home or ours!

Your Home

For repair – **in your home** – of **all** major brand appliances, lawn and garden equipment, or heating and cooling systems, **no matter who made it, no matter who sold it!**

For the replacement parts, accessories and owner's manuals that you need to do-it-yourself.

For Sears professional installation of home appliances and items like garage door openers and water heaters.

1-800-4-MY-HOME® (1-800-469-4663)

Call anytime, day or night (U.S.A. and Canada)

www.sears.com www.sears.ca

Our Home

For repair of carry-in items like vacuums, lawn equipment, and electronics, call or go on-line for the location of your nearest **Sears Parts & Repair Center.**

1-800-488-1222

Call anytime, day or night (U.S.A. only)

www.sears.com

To purchase a protection agreement (U.S.A.) or maintenance agreement (Canada) on a product serviced by Sears:

1-800-827-6655 (U.S.A.)

1-800-361-6665 (Canada)

Para pedir servicio de reparación a domicilio, y para ordenar piezas:

1-888-SU-HOGARSM
(1-888-784-6427)

Au Canada pour service en français:

1-800-LE-FOYER^{MC}
(1-800-533-6937)
www.sears.ca

SEARS

® Registered Trademark / TM Trademark / SM Service Mark of Sears, Roebuck and Co.
© Marca Registrada / TM Marca de Fábrica / SM Marca de Servicio de Sears, Roebuck and Co.
^{MC} Marque de commerce / MD Marque déposée de Sears, Roebuck and Co.